



Always Agile, Always Ahead.

RUGGED MOBILE AND PANEL PC SOLUTIONS

2025 Product Catalog



ES France - Mobilité & Systèmes Embarqués
127 rue de Buzenval BP 26 - 92380 Garches



Tél. 01 47 95 99 80
Fax. 01 47 01 16 22



e-mail : mse@es-france.com
Site Web : www.es-france.com

► Table of Contents

00 Introduction

About AAEON	00-1
Milestones	00-3
Operation Strength	00-4
Core Competence	00-5
Quality Assurance	00-6
Mobile Computing Solutions	00-7
Rugged Tablet Computers	00-9
Accessories	00-11
Technologies	00-12
Applications	00-13
RISC Boards	00-15
AAEON RICO-3288/RICO-3399 RISC Ready to System (RTS) Solutions	00-19
Applications	00-20
AAEON Rugged Mobile and RISC OEM/ODM Services	00-23
OMNI Modular Builder	00-25



01 Rugged Tablet Computers

RTC-710RK	7" Rugged Tablet ARM-based Android™ with 1.6 GHz Quad Core Processor	01-1
RTC-710AP	7" Rugged Tablet Featuring Intel® Celeron® Processor N3350/Intel® Pentium® Processor N4200 with Windows® 10	01-3
RTC-1010	10.1" Rugged Tablet Featuring Intel® Celeron® Processor N3350/Intel® Pentium® Processor N4200 with Windows® 10	01-5
RTC-1010RK	10.1" Rugged Tablet Featuring Rockchip RK3399 With Android™ 11	01-7
RTC-1020	10.1" Rugged Tablet Featuring 11th Gen Intel® Core™/Celeron® Processors	01-9
RTC-1200	11.6" Rugged Tablet Features Intel Kaby Lake Up To 3.9 GHz Dual Core Processor with Windows® 10	01-11
Accessories		
RDS-0710	Rugged Docking Station for RTC-710	01-13
RDS-411	Rugged Docking Station for RTC-1010, RTC-1010M, RTC-1010RK	01-15
RDS-241V	Rugged Docking Station for RTC-1200	01-17
RDS-1020	Rugged Docking Station for RTC-1020	01-19
RTC-1010-HS-000	Hand Strap for RTC-1010, RTC-1010M, RTC-1010RK, RTC-1020	01-21
RTC-1010-SB-000	Shoulder Belt for RTC-1010, RTC-1010M, RTC-1010RK, RTC-1020	01-21
RTC-1010-VMP-000	VESA Mount Plate for RTC-1010M	01-22
RTC-1010-DTDP A-002	DC-To-DC Power Adapter, Flying Wires for RTC-1010, RTC-1010M, RTC-1010RK	01-22
RTC-1010-DTDP A-001	DC-To-DC Power Adapter, Cigarette Plug for RTC-1010, RTC-1010M, RTC-1010RK	01-23
RTC-1200HSP01-000	Hand Strap for RTC-1200	01-23
RTC-1200BLT01-000	Shoulder Belt for RTC-1200	01-24
RTC-1200BLT02-000	Shoulder Belt for RTC-1200	01-24
RTC-1200BKT01-000	VESA Mount Bracket for RTC-1200	01-25
RTC-1010BKT-000	Bracket for RTC-1010, RTC-1010M, RTC-1010RK	01-25
RBC-1200-000	4-bay Battery Charger for RTC-1010, RTC-1010M, RTC-1010RK, RTC-1020, RTC-1200	01-26
RTC-1200BAT01-000	Battery Pack for RTC-1010, RTC-1010M, RTC-1010RK, RTC-1020, RTC-1200	01-26

02 RISC Boards

RICO-3288	Pico-ITX Fanless Board with Rockchip ARM Cortex™-A17 Quad-core Processor	02-1
RICO-3288MINI	Pico-ITX Fanless Board with Rockchip ARM Cortex™-A17 Quad-core Processor	02-3
RICO-3399	Pico-ITX Fanless Board with Rockchip ARM Cortex™-A72 Dual-core and Cortex-A53 Quad-core Processor	02-5
RICO-3568	Pico-ITX Fanless Board with Rockchip RK3568 Quad-Core Arm® Cortex®-A55 Processor	02-7
RICO-MX8P	Pico-ITX Fanless Board with NXP i.MX 8M Plus	02-9
Modules		
PER-T650	I/O Module with 9V ~ 36V Input, PoE x 1, CANBus x 2, USB 2.0 x 2	02-11

03 RISC Boxes

BOXER-RK88	Fanless Embedded Box PC with Rockchip RK3288	03-1
BOXER-RK99	Fanless Embedded Box PC with Rockchip RK3399	03-3
BOXER-RK3568	Fanless Embedded Box PC with Rockchip RK3568	03-5
BOXER-MX8P	Fanless Embedded Box PC with NXP i.MX 8M Plus	03-7

▶ Table of Contents



▶ Table of Contents

04 All in One Panel PC Solutions

ACP Series

ACP-2106	10" WXGA Multi Touch Panel PC With Intel® Processor N-series Processors	04-1
ACP-2076	7" WSVGA Multi Touch Panel PC With Intel® Processor N-series Processors	04-3
ACP-1108	10.1" WXGA Android Based Panel PC with Rockchip™ RK3568	04-5
ACP-1106	10.1" WXGA Multi-Touch Panel PC With Intel® Pentium® N4200/ Celeron® N3350 Processor, 4 GB RAM	04-7
ACP-1104	10.1" WXGA Ultra-slim Fanless Multi Touch Panel PC With Intel® Celeron® J1900/ N2807 Processor, 2GB RAM	04-9
ACP-1078	7" WSVGA Android Based Panel PC with Rockchip™ RK3568	04-11
ACP-1076	7" WSVGA Multi-Touch Panel PC With Intel® Pentium® N4200/ Celeron® N3350 Processor, 4 GB RAM	04-13
ACP-1075	7" WSVGA Open-frame Panel PC with PICO-APL3	04-15
ACP-1074	7" WSVGA Ultra-slim Fanless Multi Touch Panel PC with Intel® Celeron® J1900/ N2807 Processor, 2GB RAM	04-17

OMNI Series

OMNI-2155-CML	15.6" HMI Panel PC with 10th Generation Intel® Core™ / Celeron® Processor	04-19
---------------	---	-------

05 OMNI Series: Modular Builder

Panel Kit

OMNI-215D	15.6" OMNI Modular Touch/ LCD Panel Kit	05-1
OMNI-221D	21.5" OMNI Modular Touch/ LCD Panel Kit	05-3
OMNI-310D	10.4" OMNI Modular Touch/ LCD Panel Kit	05-5
OMNI-312D	12.1" OMNI Modular Touch/ LCD Panel Kit	05-7
OMNI-315D	15" OMNI Modular Touch/ LCD Panel Kit	05-9
OMNI-317D	17" OMNI Modular Touch/ LCD Panel Kit	05-11
OMNI-319D	19" OMNI Modular Touch/ LCD Panel Kit	05-13

BOX Kit

OMNI-BT-CPU BOX	OMNI Series Modules- CPU BOX Kit	05-15
OMNI-SKU-CPU BOX	OMNI Series Modules- CPU BOX Kit	05-17
OMNI-ADP-CPU BOX	OMNI Series Modules- CPU BOX Kit	05-19
OMNI-ADB-KIT	Display BOX Kit, DC 12~30V	05-21

06 OMNI Series: Modular Touch Panel Solutions

OMNI-2155-BT	15.6" Modular HMI Panel PC with Intel® Celeron® J1900/ N2807 Processor	06-1
OMNI-3105-BT	10.4" Modular HMI Panel PC with Intel® Celeron® J1900/ N2807 Processor	06-3
OMNI-3125-BT	12.1" Modular HMI Panel PC with Intel® Celeron® J1900/ N2807 Processor	06-5
OMNI-3155-BT	15" Modular HMI Panel PC with Intel® Celeron® J1900/ N2807 Processor	06-7
OMNI-3175-BT	17" Modular HMI Panel PC with Intel® Celeron® J1900/ N2807 Processor	06-9
OMNI-3195-BT	19" Modular HMI Panel PC with Intel® Celeron® J1900/ N2807 Processor	06-11
OMNI-2155-SKU	15.6" Modular HMI Panel PC with 6th Generation Intel® Core™ i5-6300U/ Celeron® 3955U Processor	06-13
OMNI-2215-SKU	21.5" Modular HMI Panel PC with 6th Generation Intel® Core™ i5-6300U/C-3955U Processor	06-15
OMNI-3125-SKU	12.1" Modular HMI Panel PC with 6th Generation Intel® Core™ i5-6300U/C-3955U Processor	06-17
OMNI-3155-SKU	15" Modular HMI Panel PC with 6th Generation Intel® Core™ i5-6300U/C-3955U Processor	06-19
OMNI-3175-SKU	17" Modular HMI Panel PC with 6th Generation Intel® Core™ i5-6300U/C-3955U Processor	06-21
OMNI-3195-SKU	19" Modular HMI Panel PC with 6th Generation Intel® Core™ i5-6300U/C-3955U Processor	06-23
OMNI-2155-ADP	15.6" Modular HMI Panel PC with 12th Generation Intel® Core™/Celeron® Processors	06-25
OMNI-2215-ADP	21.5" Modular HMI Panel PC with 12th Generation Intel® Core™/Celeron® Processors	06-27
OMNI-3105-ADP	10.4" Modular HMI Panel PC with 12th Generation Intel® Core™/Celeron® Processors	06-29
OMNI-3125-ADP	12.1" Modular HMI Panel PC with 12th Generation Intel® Core™/Celeron® Processors	06-31
OMNI-3155-ADP	15" Modular HMI Panel PC with 12th Generation Intel® Core™/Celeron® Processors	06-33
OMNI-3175-ADP	17" Modular HMI Panel PC with 12th Generation Intel® Core™/Celeron® Processors	06-35
OMNI-3195-ADP	19" Modular HMI Panel PC with 12th Generation Intel® Core™/Celeron® Processors	06-37
OMNI-2155-ADN	15.6" Modular HMI Panel PC With Intel® Processor N-series Processors	06-39
OMNI-2215-ADN	21.5" Modular HMI Panel PC With Intel® Processor N-series Processors	06-41
OMNI-3105-ADN	10.4" Modular HMI Panel PC With Intel® Processor N-series Processors	06-43
OMNI-3155-ADN	15" Modular HMI Panel PC With Intel® Processor N-series Processors	06-45

07 OMNI Series: Modular Display Solutions

OMNI-215M	15.6" Touch Display Monitor, DC 12~30V	07-1
OMNI-221M	21.5" Touch Display Monitor, DC 12~30V	07-3
OMNI-310M	10.4" Touch Display Monitor, DC 12~30V	07-5
OMNI-312M	12.1" Touch Display Monitor, DC 12~30V	07-7
OMNI-315M	15" Touch Display Monitor, DC 12~30V	07-9
OMNI-317M	17" Touch Display Monitor, DC 12~30V	07-11
OMNI-319M	19" Touch Display Monitor, DC 12~30V	07-13

08 AI Panel PC Solutions

NIKY-2155	15.6" FullHD 1920x1080 AI Panel PC with NVIDIA® Jetson Orin Nano™	08-1
-----------	---	------

▶ Table of Contents

About AAEON

The Trusted Innovation Partner

We have the drive to provide innovative, trusted solutions tailored to benefit our customers.



Established in 1992, AAEON stands at the forefront of industrial IoT and AI Edge solutions, renowned for its commitment to continual innovation. As a leading designer and manufacturer, AAEON specializes in delivering reliable, high-quality computing platforms and offers comprehensive OEM/ODM services on a global scale. Collaborating with businesses, AAEON goes beyond providing individual platforms, extending its expertise to offer end-to-end solutions that prioritize technological innovation and design excellence, fostering a reputation for delivering a trusted, customer-centric, and high standard of service.

Working closely with premier chip designers, AAEON ensures the creation of stable and reliable platforms, showcasing an innovative approach to product development and operational flexibility that solidifies its standing as a provider synonymous with demonstrated quality and dependability. The experienced engineering team at AAEON has played a pivotal role in assisting numerous companies worldwide, guiding them through product launches with solutions tailored to their specific needs. AAEON's customer-centric approach is underscored by expedited, localized technical support and meticulous attention to detail, reinforcing its dedication to delivering unparalleled service.

AAEON Core Values

Innovation:

Technological Innovation – continually seeking to bring new and exciting technologies to market for our customers

Product Innovation – evolving with our customer's needs to maximize the utility of embedded solutions

Innovative Business Model – maintaining a worldwide community model for peer-to-peer collaboration and expert technical support

Trusted Quality:

Design Quality – rigorously monitoring standards to ensure continual improvement

Advanced Manufacturing – integrating AI, automation, and new technologies into our processes

Higher Standard Of Service – building industry trust in our abilities through external endorsements from premier organizations

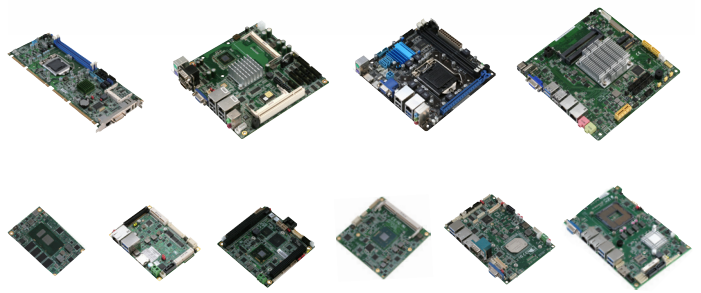
Flexibility:

Low Total Cost Of Ownership (TCO) – adopting a modular design process for streamlined customization to lower the cost of entry

Fast Service – faster troubleshooting for issue resolution, straightforward after-sales care

Customer Focus – provide localized solutions for even the most complex customer needs through regional RD & design center





System Level Products

AAEON is committed to delivering high-quality intelligent system products, such as Rugged Panel PCs, Expandable Industrial Computers, Full HD Infotainment Displays, Rugged Tablets, Embedded PCs and related accessories, for use in all aspects of sectors including Digital Signage, Transportation, Industrial Automation, Healthcare, Hospitality, Harbor/Marine, Military/Government, Public Safety and Energy.

AAEON has the capability to customize services for a range of embedded computers and system products according to customer requirements and specifications. To help large customers with volume production, AAEON also provides an end-to-end Design Manufacturing Service (DMS) that begins with design and goes through to contract manufacturing. Quality assurance of our system products ensures excellent product performance and is the key to our success and growing global customer base.

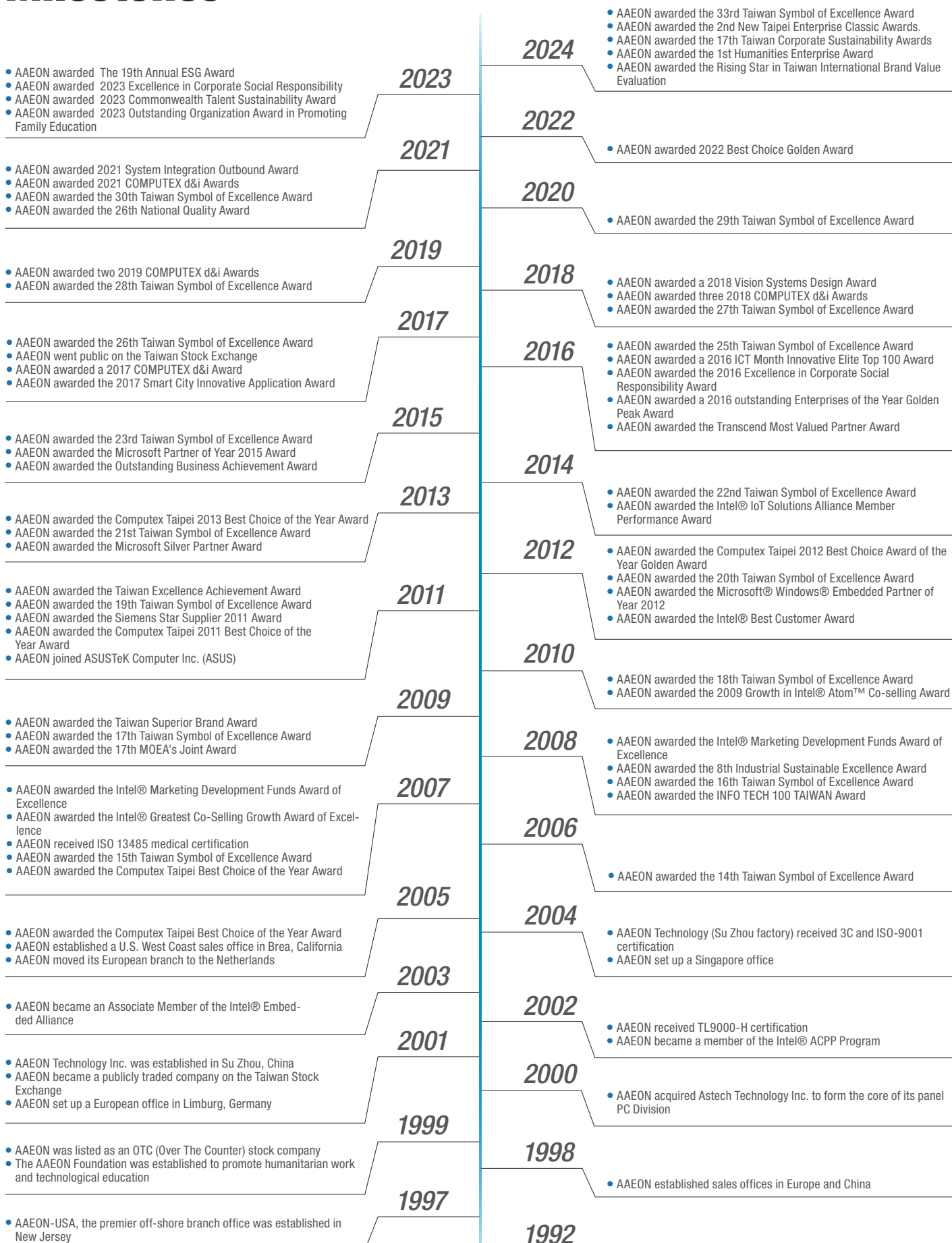
Board Level Products

Embedded boards are the beating heart of every computer system. AAEON offers a diverse range of different embedded boards to consolidate your systems. Our products include Compact Boards, 3.5" Sub-Compact Boards, EPIC boards, PICO-ITX boards, COM Express Modules, de next boards, PC/104 Modules, RISC Gateway Boards, and full-sized & half-sized SBCs.

With the advent of the fourth industrial revolution, more commonly known as Industry 4.0, the optimization of automation processes and productivity is becoming more relevant than ever before. Embedded single boards provide an easily configurable and efficient solution to consolidating industrial platforms and infrastructure in fields such as smart cities, smart building management, smart transportation, energy-efficient grids, POS and digital signage, and the medical industry.

AAEON's boards are designed for superior environmental resilience. The WiTAS (Wide Temperature Assurance Services) line can be used within a temperature range of -40°C ~ 85°C and is specifically built to combat harsh environments, operating at peak efficiency in both bitterly cold and blisteringly hot spaces. Our WiTAS products are also ideal for IoT uses and are designed for minimum maintenance and

Milestones



Operation Strength

00

A member of the ASUS Group: A strong high-tech conglomerate

ASUS Technology and Financing

AAEON Design Flexibility and Domain Know-how



OEM/ODM Capability

The OEM/ODM service has been a key factor in AAEON's phenomenal growth over the past 10 years. AAEON offers design services for full custom requirements as well as modification services for its off-the-shelf products. Whatever you need, AAEON has the experience and expertise to help you create or modify products to perfectly fit your requirements.

Core Competence

Product Innovation

AAEON's integration expertise is integral to product designs that have the most desirable built-in features, saving customers valuable design and customization time. AAEON's OEM/ODM capabilities help us meet customers' exact specifications and requirements. In addition, AAEON has invested aggressively in R&D capabilities and will continue to do so to maintain a competitive advantage for new designs. In cooperation with premier technology vendors, AAEON participates in vendor early access programs to provide the latest technology to its customers.

Market Focus

AAEON has established a worldwide reputation for exceptional domain know-how. This expertise has enabled AAEON to secure a solid position in Machine and Factory Automation, as well as the Chemical Industry. Additionally, AAEON's cutting edge products meet the specific requirements of the Digital Signage, Transportation, Industrial Automation, Medical, Harbor/Marine, Military/Government, Public Safety and Energy sectors.

R&D Strength

AAEON takes great pride in its World Class R&D aptitudes. With more than 20% of AAEON's workforce employed in R&D and 10% of annual sales revenue invested in this field, AAEON is prepared to handle the most demanding designs based on the latest technologies. With our strong background in innovation, AAEON has been granted a raft of design patents around the world.

Design Capability

From our core competence of single board computer design, AAEON has expanded its capabilities to award-winning Panel PC System Design, BIOS Engineering with multi-vendor expertise, Mechanical Design, Peripheral Device Design, Design Verification and in-house EMI/EMC Debugging.

Manufacturing Capability

AAEON has manufacturing facilities located in Taipei, Taiwan and Suzhou, China. To become the leading supplier of Industrial Computers, AAEON has created manufacturing facilities with flexible layouts and expansion capabilities to easily address the demand for increased production capacity. Drawing upon the skills of its professional and experienced personnel to develop an efficient production system, AAEON has the ability to respond rapidly to customer requests for standard or customized IPC products.



Quality Assurance

AAEON's Quality Assurance Closed Loop Feedback System provides solid and consistent feedback through the design, manufacturing and service stages to ensure continuous progress and meet customer expectations. The three stages of the Quality Assurance System are Design Quality Assurance (DQA), Manufacturing Quality Assurance (MQA) and Service Quality Assurance (SQA).

DQA

Design Quality Assurance starts at the conceptual stage of a project and covers the product development stage to ensure the utmost quality throughout the process. AAEON's safety and environmental test labs ensure our products meet the requirements of CE/UL/FCC/CCC standards. All AAEON products go through an extensive and comprehensive test plan for compatibility, function, performance and usability. Therefore, AAEON customers can always expect to receive well-designed, high-quality products.

MQA

Manufacturing Quality Assurance is carried out in accordance with ISO 9001, ISO 13485, ISO 14001 certification standards. All AAEON products are built using production and quality testing equipment in a static-free environment. Additionally, these products go through rigorous tests on the production line and dynamic aging in the burn-in room. AAEON's Total Quality Control (TQC) program includes Incoming Quality Control (IQC), In-Process Quality Control (IPQC) and Final Quality Control (FQC). Periodic training, auditing and facility calibration are strictly implemented to ensure all quality standards are followed to meet customers' requirements. The Quality Control Team constantly communicates with R&D to improve product performance and compatibility.

SQA

Service Quality Assurance includes technical support and a repair service. With SQA, AAEON can serve its customers and also receive their feedback and work with R&D and Manufacturing to strengthen AAEON's response time in resolving customer concerns and improve service levels.

Repair Service

With an efficient eRMA system and RMA service policy, AAEON's RMA Team is able to ensure prompt, high-quality product repair and replacement services with a short turnaround time.

Quality Certification



AAEON has acquired many official certifications to maintain its quality system.

ISO 9001: 2015	QMS
ISO 13485: 2016	Medical Devices-QMS
ISO 14001: 2015	EMS
ISO 27001: 2022	ISMS
3C:	China Compulsory Certification
CE/FCC:	All AAEON products undergo and meet CE and FCC test standards which prove their design quality and integrity

Technical Support

The backbone of customer support is a team of professional Application Engineers who provide customers with real-time technical support. Their expertise is shared through internal knowledge management and links to the website for online nonstop service and solutions.

Mobile Computing Solutions



Introduction

Computing in the environment of Industry 4.0 means taking full advantage of innovative technologies and frameworks such as IoT, decentralizing of data processing, and utilizing wireless communication to overcome the limitations of physical infrastructure. As more things depend on technology, it is more important that we can carry that technology with us through the power of mobile computing.

AAEON Rugged Mobile Computing Solutions are designed to provide flexible and tough platforms built to handle working in environments which are harsh or abusive for consumer grade products. These rugged tablet PCs and semi-rugged tablet PCs provide reliable operation whether indoors or outside, in cold freezers or hot weather, onboard buses and controlling entryways. AAEON's Rugged Mobile Computing Solutions are built for work, in the field, in the office, or wherever is demanded.

Time Clock



Hospitality



Parking Management



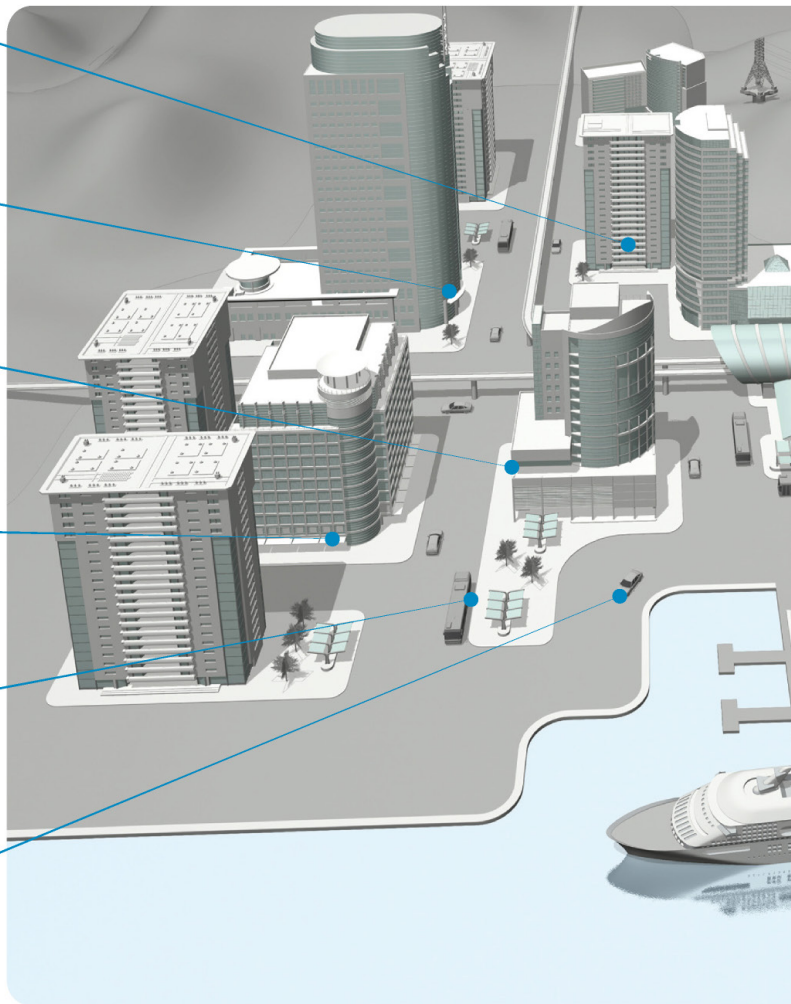
Access Control



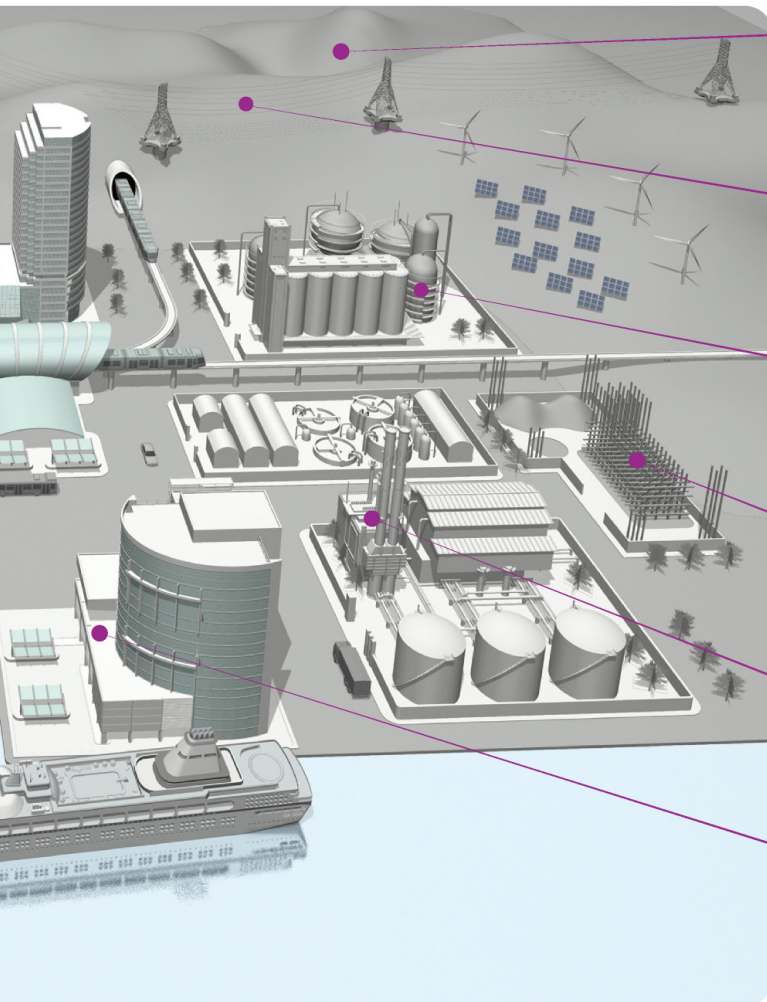
e-Ticketing



Fleet Management



Mobile Computing Solutions



Aerial Photography



Heavy Machinery



Factory Automation



Construction



Field Inspection



Logistic/Warehouse Management



Rugged Tablet Computers

Introduction

AAEON's new line of Rugged Tablet Computers (RTC) are MIL-STD-810G compliant and meet IP65 ratings. The RTC Series is built from the ground up to withstand water, dust, vibrations and shocks, as well as the extreme temperatures found in a variety of harsh conditions. The RTC product line will go wherever the job takes you. Encased in a tough magnesium alloy, the RTC Series offers secure and reliable mobile computing, whether it is vehicle mounted or hand carried into the field.

The rugged mobile computing market continues to grow as we find new ways to improve performance and productivity by enabling connectivity in the workforce. The RTC series offers up-to-the-minute information and in-field data acquisition, which makes mobile computing not just a valuable asset, but a critical requirement. Powered by low-power processors, such as Intel® and Rockchip, the RTC line delivers high performance with low power consumption. AAEON rugged tablet batteries can meet the demands of a full day's work in the field. Docking station options and vehicle chargers will keep the system up and running for multiple shift operations. These ergonomic and conveniently sized tablets are lightweight and will go with you anywhere to tackle the job on hand.

The PCAP touch screen and Advanced Optibond Technology (AOT™) allows easy and accurate data input. The programmable function keys are all standard features that make AAEON's RTC product line your best choice for mobile computing.

Featured Products



RTC-710RK

Android-based 7" Rugged Tablet Computer

- 7" WXGA (1280 x 800) 700-nit TFT LCD
- Rockchip RK3399K Processor
- Onboard LPDDR4 Memory, 2GB (Default) / 4GB
- eMMC 16GB (Default) / 32GB / 64GB
- Projected Capacitive Multi-Touch Screen
- WiFi 802.11b/g/n, Bluetooth 4.2, LTE (Optional)
- 8MP Front and 8MP Rear Camera
- UART Port + 10/100/1000 Base-T RJ45 via I/O Module (Optional)
- USB 3.2 Gen 1 Type-C x 1, USB 2.0 Type-A x 1
- 2D Barcode Scanner via I/O Module (Optional)
- NFC (HF RFID) Reader (Optional)
- GPS + GLONASS (Default), BeiDou (Optional)
- One Hot-swappable Battery + Internal Battery, Up to 44W Battery Capacity
- MIL-STD-810G, IP65 Compliant, Drop 150cm
- Programmable Function Key: F1, F2, F3, Volume Up/Down, With LED Illumination
- Android 8.1/Android 11 (Optional)



RTC-710AP

Windows-based 7" Rugged Tablet Computer

- 7" WXGA (1280 x 800) 700-nit TFT LCD
- Intel® Celeron™ N3350 1.1GHz Dual Core Up to 2.4GHz (N4200 Optional)
- Onboard LPDDR4 Memory, 4GB (Default) / 8GB
- eMMC 64GB (Default) / 128GB
- Projected Capacitive Multi-Touch Screen
- WiFi 802.11b/g/n, Bluetooth 5.1, LTE (Optional)
- 2MP Front and 8MP Rear Camera
- RS-232 COM Port + 10/100/1000 Base-T RJ45 via I/O Module (Optional)
- USB 3.2 Gen 1 Type-C x 1, USB 2.0 Type-A x 1
- 2D Barcode Scanner via I/O Module (Optional)
- NFC (HF RFID) Reader (Optional)
- Up to 3 GNSS, GPS + Galileo (Default), GLONASS, BeiDou (Optional)
- One Hot-swappable Battery + Internal Battery, Up to 44W Battery Capacity
- MIL-STD-810G, IP65 Compliant, Drop 150cm
- Function Key: F1, F2, F3, Volume Up/Down, With LED Illumination
- Windows® 10 IoT

OS Support List		
Model	Windows	Android
RTC-710RK	N/A	8.1/11(NFC:N/A)
RTC-710AP	10	N/A
RTC-1010	10	N/A
RTC-1010RK	N/A	11
RTC-1020	11	N/A
RTC-1200	10	N/A



Rugged Tablet Computers



RTC-1010

10.1" Rugged Tablet Computer

- 10.1" WXGA (1280 x 800) 800-nit / 300-nit TFT LCD
- Intel® Celeron™ N3350 1.1GHz Dual Core Up to 2.4GHz (N4200 Optional)
- Onboard DDR3L Memory, 4GB (Default) / 8GB
- eMMC 64GB (Up to 256GB, Optional)
- WiFi 802.11b/g/n, Bluetooth 5.1, LTE (Optional)
- 2MP Front and 8MP Rear Camera
- RS-232/422/485 COM Port + 10/100/1000 Base-T RJ45
- USB 3.2 Gen 1 x 2 (USB Type-C x 1), USB 2.0 x 2
- 2D Barcode Scanner & Smart Card Reader / HF RFID (NFC) Reader (Optional)
- Up to 3 GNSS, GPS + Galileo (Default), GLONASS, BeiDou (Optional)
- One Hot-swappable Battery + Internal Battery, Up to 44W Battery Capacity
- MIL-STD-810G, IP65 Compliant, Drop 122cm
- Function Key: F0, F1, F2, F3, Volume Up/Down, With LED Illumination
- Windows® 10 IOT



RTC-1010RK

10.1" Rugged Tablet Computer

- 10.1" WXGA (1280 x 800) 800-nit/300-nit TFT LCD
- Rockchip RK3399 Processor
- Onboard LPDDR4 Memory, 2GB/4GB (Default)
- eMMC 64GB (Default)/128GB
- Wi-Fi 802.11 a/b/g/n/ac, Bluetooth 5.2, LTE (Optional)
- 8MP Front and 8MP Rear Camera
- RS-232/422/485 COM Port + 10/100/1000 Base-T RJ-45
- USB 3.2 Gen 1 x 2 (USB Type-C x 1), USB 2.0 x 2
- 2D Barcode Scanner (Optional)
- HF RFID (NFC) Reader (Optional)
- GPS + GLONASS (Default), BeiDou (Optional)
- One Hot-swappable Battery + Internal Battery, Up to 44W Capacity
- MIL-STD-810H, IP65 Compliant, Drop 122cm
- Programmable Function Keys
- Android™ 11



RTC-1200

11.6" Rugged Tablet Computer

- 11.6" FHD (1920 x 1080) 500-nit / 850-nit TFT LCD
- Intel® Core™ i 7100U / 7300U / Celeron® 3965U Up to 3.9 GHz
- One DDR4 SODIMM Socket, Up to 16GB
- One M.2 Slot for SSD, 64GB (Default) / 128GB / 256GB
- WiFi 802.11b/g/n, Bluetooth 5.1, LTE (Optional)
- 2MP Front and 5MP Rear Camera
- RS-232/422/485 COM Port + 10/100/1000 Base-T RJ45
- USB 3.2 Gen 1 x 2 (USB Type-C x 1), USB 2.0 x 2
- 2D Barcode Scanner / HF RFID (NFC) Reader (Optional)
- Hot-swappable Battery, 14.4V/ 2270mAh, 32.7W x 2
- MIL-STD-810G, IP65 Compliant, Drop 122cm
- Function Key: Windows, Volume Up/Down, P1, P2, P3, With LED Illumination
- Docking Connector with GNSS / WWAN Antenna Pass-through Connector
- Windows® 10 IOT



RTC-1020

10.1" Rugged Tablet Computer

- 10.1" FHD (1920 x 1200) 450-nit / 850-nit TFT LCD
- Intel® Core™ i Tiger Lake UP3 Processor
- Onboard LPDDR4X, 8GB (Default) / 16GB
- M.2 SSD, 64GB (Default) / 128GB / 256GB
- WiFi 802.11a/b/g/n/ac, Bluetooth 5.2, LTE (Optional)
- 5MP Front and 8MP Rear Camera
- RS-232/422/485 COM Port + 10/100/1000 Base-T RJ45
- USB 3.2 Gen 1 x 2 (USB Type-C x 1), USB 2.0 x 2
- 2D Barcode Scanner (Optional)
- HF RFID (NFC) Reader (Optional)
- Up to 3 GNSS, GPS + Galileo (Default), GLONASS, BeiDou (Optional)
- Hot-swappable Battery, 14.4V/ 2270mAh, 32.7W x 2 (51.1W x 2, Optional)
- MIL-STD-810H, IP65 Compliant, Drop 122cm
- Function Key: F0, F1, F2, F3, Volume Up/Down, With LED Illumination
- Windows® 10 IOT



Accessories

RTC-1010 & RTC-1010M & RTC-1010RK

RDS-411 (Rugged Docking Station)

- Apply on RTC-1010/RTC-1010M/RTC-1010RK
- Front-facing I/Os: USB 2.0 x 2 with Protection Cover
- Downward-facing I/Os for Easy Cable Management: USB 2.0 x 2, RS-232 x 1 (Two: Optional), RJ45 GbE x 1, DC-in Phoenix Connector x 1
- Wide Voltage Input: 9VDC ~ 36VDC
- Power Adaptor: AC Power Adaptor (Default)
- Anti-theft Lock with Key & VESA Mount



RTC-1010-HS-000

- Hand Strap for RTC-1010, RTC-1010M, RTC-1010RK, RTC-1020



RTC-1010-SB-000

- Shoulder Belt for RTC-1010, RTC-1010M, RTC-1010RK, RTC-1020



RTC-1010-DTDPA-002

- DC-To-DC Power Adapter, Flying Wires for RTC-1010, RTC-1010M, RTC-1010RK



RTC-1010-DTDPA-001

- DC-To-DC Power Adapter, Cigarette Plug for RTC-1010, RTC-1010M, RTC-1010RK



RTC-1010-VMP-000

- VESA Mount Plate for RTC-1010M



RBC-1200-000

- 4-bay Battery Charger for RTC-1010, RTC-1010M, RTC-1010RK, RTC-1020, RTC-1200



RTC-1200BAT01-000

- Battery Pack for RTC-1010, RTC-1010M, RTC-1200, RTC-1010RK, RTC-1020



* Li-on battery shipping is regulated by IATA DGR, special method and extra fee applies.

RTC-1200

RDS-241V (Rugged Docking Station)

- Anti-theft Lock with Key & VESA mount
- Downward-facing I/Os for Easy Cable Management
- Ext. GPS and WWAN with SMA Connector
- Front-facing I/O: USB x 2 in landscape Side
- Downward-facing I/Os: USB 3.2 Gen 1 Dual Port x 1 + RS-232 x 2, One with 5V in Pin9 & the Other with GPIO x 8, GbE x 1, M12 DC-in x 1
- Wide Voltage Range: 9V DC ~ 36V DC in M12-5P Female Connector
- Adaptor is Additionally: (Car Adaptor with Cigarette Plug or Std Adaptor for YC-14)



RTC-1200HSP01-000

- Hand Strap for RTC-1200



RTC-1200BLT01-000

- Shoulder Belt for RTC-1200



RTC-1200BLT02-000

- Shoulder Belt for RTC-1200



RTC-1200BKT01-000

- VESA Mount Bracket for RTC-1200



RBC-1200-000

- 4-bay Battery Charger for RTC-1010/ RTC-1010M, RTC-1200



RTC-1200BAT01-000

- Battery Pack for RTC-1010/ RTC-1010M, RTC-1200



* Li-on battery shipping is regulated by IATA DGR, special method and extra fee applies.

RTC-1020

RDS-1020 (Rugged Docking Station)

- Suitable for RTC-1020
- Front-facing I/O: USB 2.0 x 2
- Downward-facing I/O for Easy Cable Management: USB 3.2 Gen 1 x 2, RS-232 x 1, GbE x 1, DC-in Phoenix Connector x 1
- Wide Voltage Input: 9VDC ~ 36VDC
- Power Adaptor: AC Power Adaptor (Default)
- Anti-Theft Lock with Key & VESA Mount Support (75x75)



RTC-1010-HS-000

- Hand Strap for RTC-1010, RTC-1010M, RTC-1010RK, RTC-1020



RTC-1010-SB-000

- Shoulder Belt for RTC-1010, RTC-1010M, RTC-1010RK, RTC-1020



RBC-1200-000

- Battery Pack for RTC-1010, RTC-1010M, RTC-1200, RTC-1010RK, RTC-1020



* Li-on battery shipping is regulated by IATA DGR, special method and extra fee applies.

Customized Services

- Longevity Support
- ODM Services
- Small Minimum Order Quantity



Fully-Rugged Design



Water Resistant

- IEC 60529
- IPx5 standard



Drop Test

- MIL-STD-810G Method 516.6 Procedure IV



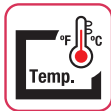
Dust Proof

- IEC 60529
- IP6x standard



Vibration Test

- MIL-STD-810G 514.6 Procedure I Cat. 24, Fig. 514.6E-1 & 514.6E-2
- ASTM 4169-99 Truck Assurance Level II, Schedule E



Temperature Test

- MIL-STD-810G Method 501.5 Procedure I & II, Method 502.5 Procedure I & II, Method 503.5 Procedure I, Method 507.5 Procedure II

Outdoor Application



Sunlight Readable LCD

- Readable under sunlight
- Higher brightness solution
- AOT optical bonding



Ambient Light Sensor

- Power savings in dark environments
- Detects light and brightness



AOT™ (Advanced Optibond Technology)

- The best reflection reduction among any commercially available technology
- Reinforces the LCD display, making it much more rugged



Long Battery Life

- Hot-swappable batteries design

Built-in Versatile Sensors



GPS

- Stand-alone GPS Navigation module



G Sensor

- Gravity sensor



E-Compass

- Electronic compass



Gyro Sensor

- Electronic gyroscopes

Wireless Communication



4G

- LTE



Bluetooth®

- 2.1/3.0/4.1/4.2/5.0



WiFi

- a/b/g/n/ac



NFC

- 13.56MHz Near Field Communication



RFID

- 13.56MHz Radio Frequency Identification



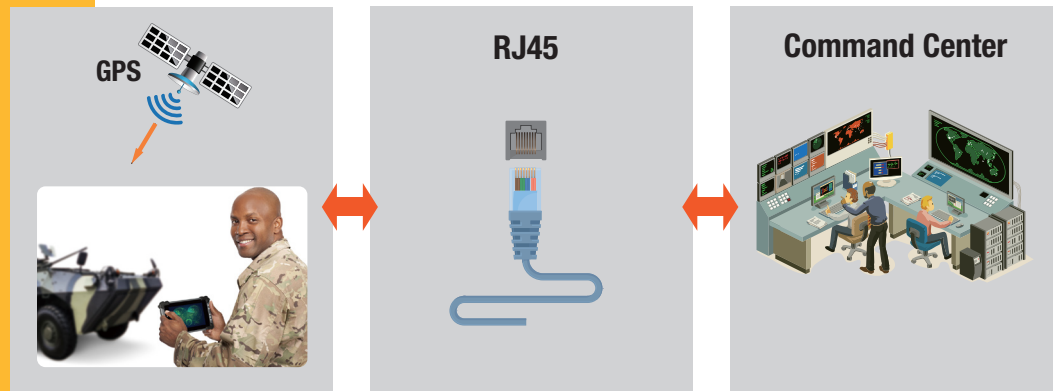
Requirements

- IP65-rated
- MIL-STD-810G-compliant
- Sunlight readable screens
- Wireless communication
- Long battery life
- Lightweight

Military

From combat readiness to logistical management, the need for rugged mobile computing to support military operations is clear. On and off the battlefield, soldiers need to not only communicate quickly and effectively, but those who support the front line need to ensure critical supplies get to where they're needed most.

AAEON offers MIL-STD-810G compliant and IP65 rated platforms, such as the RTC-1010 and RTC-710RK, which are designed to endure rough handling and harsh conditions that come with maintaining the supply lines for a modern force. Sunlight readable screens which can be adapted for use with gloves, allow for these rugged tablets to operate indoors and out, wherever military equipment and hardware needs to be moved. Effective and reliable communication is also provided through support for Wi-Fi, 4G/LTE and Bluetooth as well as various GPS protocols.





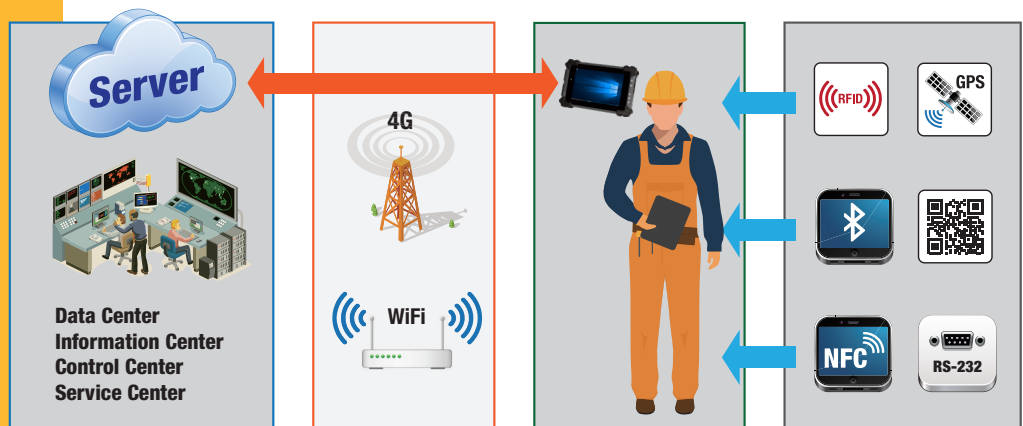
Requirements

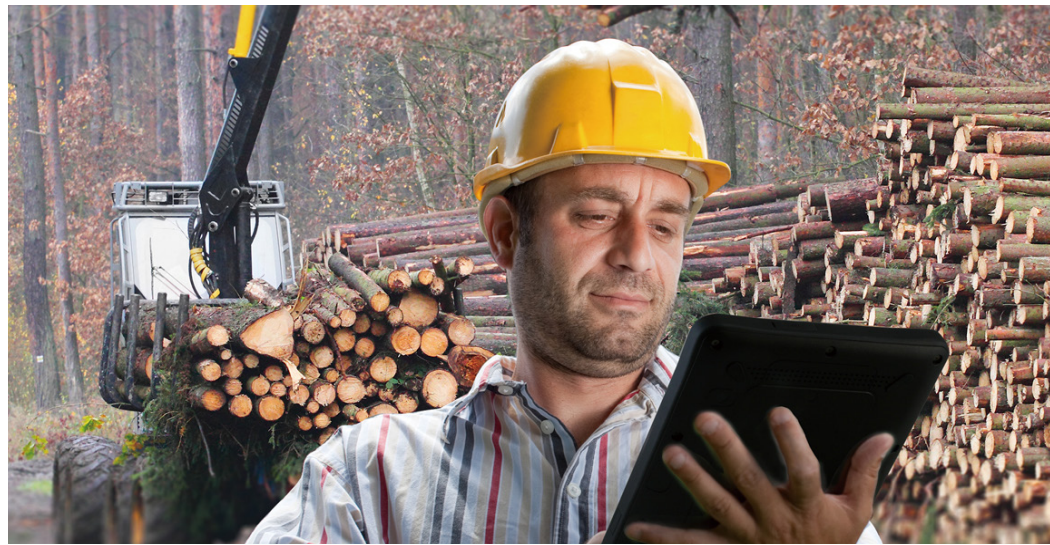
- Sunlight readable screens
- Vibration & water resistant
- Wireless communication
- Long battery life

Field Service

One application which has benefited greatly thanks to the deployment of rugged mobile computing is field service and inspection. A job which is almost exclusively conducted outdoors or at unfinished sites, having a rugged tablet able to hold up to the rigors of field work is essential. The RTC-710AP and RTC-1010 rugged tablets are perfectly suited for the task, with wide operating temperature ranges and IP65 rated sealing to keep out dust, sand, water and other particulates commonly encountered during on-site work in the field.

Built in 8MP rear and 2MP front cameras provide added benefit for field inspectors to take on-site photos, and I/O connections allow the rugged tablets to connect to field equipment as needed. Wireless communications support with Wi-Fi and 4G/LTE allows for instant communication either through teleconferencing, submitting reports, or quickly uploading photos and documents to the cloud. On-board support for GPS navigation also means it's hard to get lost with AAEON rugged tablets.





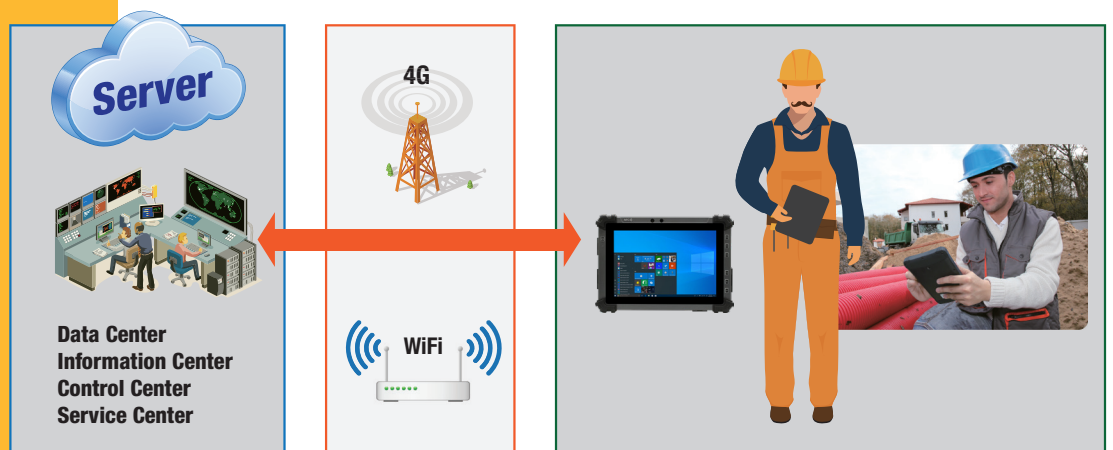
Requirements

- Sunlight readable screens
- Vibration & water resistant
- Wireless communication
- Long battery life
- Mechanical control

Heavy Machinery

Rugged mobile computing is helping to connect heavy machinery with the latest modern applications. Whether it's controlling equipment directly and providing human-machine interface, or acting as a monitor to track and report diagnostics and conditions, AAEON rugged tablets such as the RTC-1010 and RTC-710AP provide a vital tool in operating and maintaining heavy machinery.

Built for operating in any condition, whether indoors or out, AAEON rugged tablets feature touchscreens in a range of sizes from 7" to 11.6" with sunlight readable screens, configurable for use while wearing gloves as well as physical buttons for easier operation. Wireless support includes Wi-Fi, 4G/LTE, Bluetooth and GPS navigation to stay connected with networks, as well as a suite of I/O ports to allow the rugged tablets to connect directly to machinery when needed.





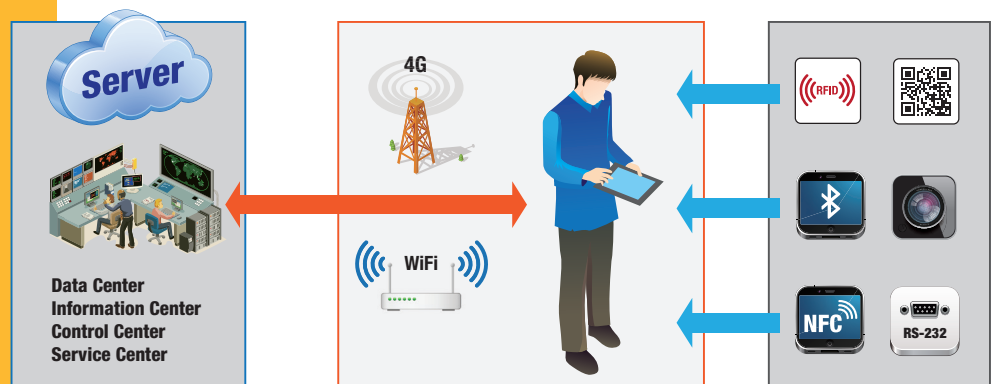
Requirements

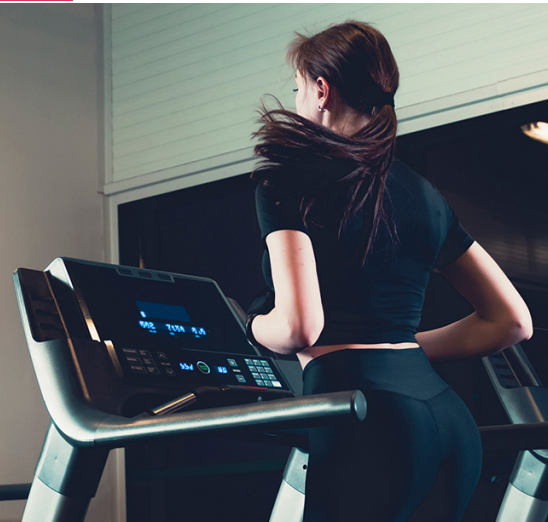
- Sunlight readable screens
- Vibration & water resistant
- Wireless communication
- Long battery life
- Lightweight
- Mechanical control

Warehousing

No where has rugged mobile computing benefited users the most than in warehouses. From keeping track of stock, checking items in or out for shipment, or even managing orders on the go, rugged tablets provide warehouse workers and managers with a powerful tool that's always at their side. Whether it's the RTC-710RK or RTC-1010, AAEON rugged tablets are MIL-STD-810G compliant shock tested to provide a platform that can handle the bumps and drops that come with working in a warehouse.

AAEON rugged tablet PCs offer a range of accessories and support that are perfect for handling the toughest warehouse tasks. Hot swappable batteries ensure the tablets keep working all shift long, while optional add-ons such as barcode scanners helps fulfil the needs of logistical planning. Wireless communication with Wi-Fi and 4G/LTE support ensures the device is always connected to the warehouse database, and even provides a way to manage and control warehouse robots.



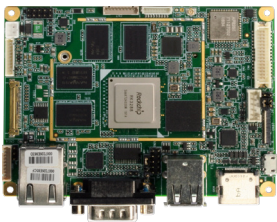


Introduction

AAEON RISC boards offer a compact embedded solution with low profile design, open-source operating system, and low power usage. AAEON RISC boards are powered by the Rockchip RK3288 and RK3399 chipsets, utilizing the latest Arm Cortex multi-core processor technology. Built to the PICO-ITX form factor, AAEON RISC boards are designed compact and with I/O features to make it easy to integrate into any project or application.

OS Support List				
Model	Android		Debian	
	Version	Linux Kernel	Version	Linux Kernel
RICO-3288	6	3.18.10	9.0	3.8.10
	9	4.14	10	4.14
RICO-3288MINI	9	4.14	9.0	4.14
RICO-3399	7.1	4.4.1	9.0	4.4.1
	8.1	4.9	10	4.9
	11 (NFC: N/A)	4.19	N/A	N/A
RICO-MX8P	13	5.15	11	5.10
RICO-3568	12	4.19	10	4.19

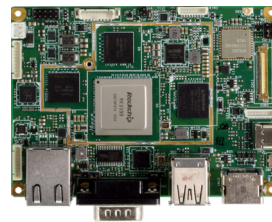
Featured Products



RICO-3288

Pico-ITX Fanless Board with Rockchip ARM Cortex™-A17 Quad-core Processor

- Rockchip RK3288
- Onboard DDR3L 2GB/4GB (Optional)
- Onboard eMMC 16GB and Micro-SD Card Slot
- HDMI (1.4), eDP, LVDS, MIPI
- WiFi 802.11 a/b/g/n/ac, BT V4.2, GPS (Optional), NFC (Optional)
- GbE: RJ45 x 1
- USB 2.0: Micro-USB OTG x 1, Type A x 2, Pin Header x 1
- RS-232/422/485 x 1, RS-232 x 1
- 8-bit GPIO, I2C, mPCIe Slot x 1
- +12V DC Input
- OS Support: Android 9.0 / Debian
- Small Board Size: 100mm x 72mm (PICO-ITX)

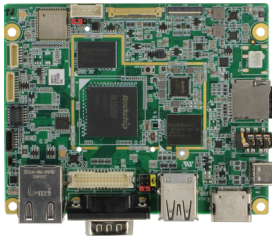


RICO-3399

Pico-ITX Fanless Board with Rockchip ARM Cortex-A72 Dual-core and Cortex-A53 Quad-core Processor

- Rockchip RK3399
- Onboard LPDDR3 2GB/4GB (Optional)
- Onboard eMMC 16GB and Micro-SD Card Slot
- HDMI (2.0), eDP
- WiFi 802.11 a/b/g/n/ac, BT V4.2, GPS (Optional), NFC (Optional)
- GbE: RJ45 x 1
- USB 3.2 Gen 1: OTG x 1, Type A x 1
- USB 2.0: Type A x 1, Pin Header x 1
- RS-232/422/485 x 1, RS-232 x 1
- 8-bit GPIO, I2C, mPCIe Slot x 1
- +12V DC Input
- OS Support: Android 8.1 / Debian
- Small Board Size: 100mm x 72mm (PICO-ITX)

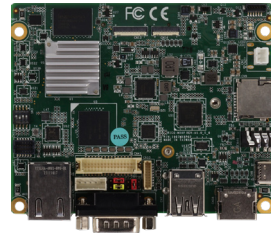




RICO-3568

Pico-ITX Fanless Board with Rockchip RK3568 Quad-Core Arm® Cortex®-A55 Processor

- Rockchip RK3568
- NPU: 0.8 TOPS
- Onboard LPDDR4 2GB/4GB/8GB (Optional)
- Onboard eMMC 16GB and Micro-SD Card Slot
- HDMI 2.0, eDP 1.3, LVDS, MIPI
- Wi-Fi 802.11 a/b/g/n/ac, BT V5.0
- GbE x 2 (One located in Daughter board)
- USB 3.2 Gen 1: Type-C OTG x 1, Type A x 1
- USB 2.0: Type-A x 1, Pin Header x 1
- RS-232/422/485 x 1, RS-232 x 1, Debug Port x 1
- 8-bit GPIO, I2C, mPCIe Slot x 1 (mSATA/USB)
- +12V DC Input
- 12V-24V Input, PoE, CAN Bus x 1, USB 2.0 x 2 via Daughter board, PER-T650
- OS Support: Android™ 12/Debian® 10
- Small Board Size: 100mm x 80mm



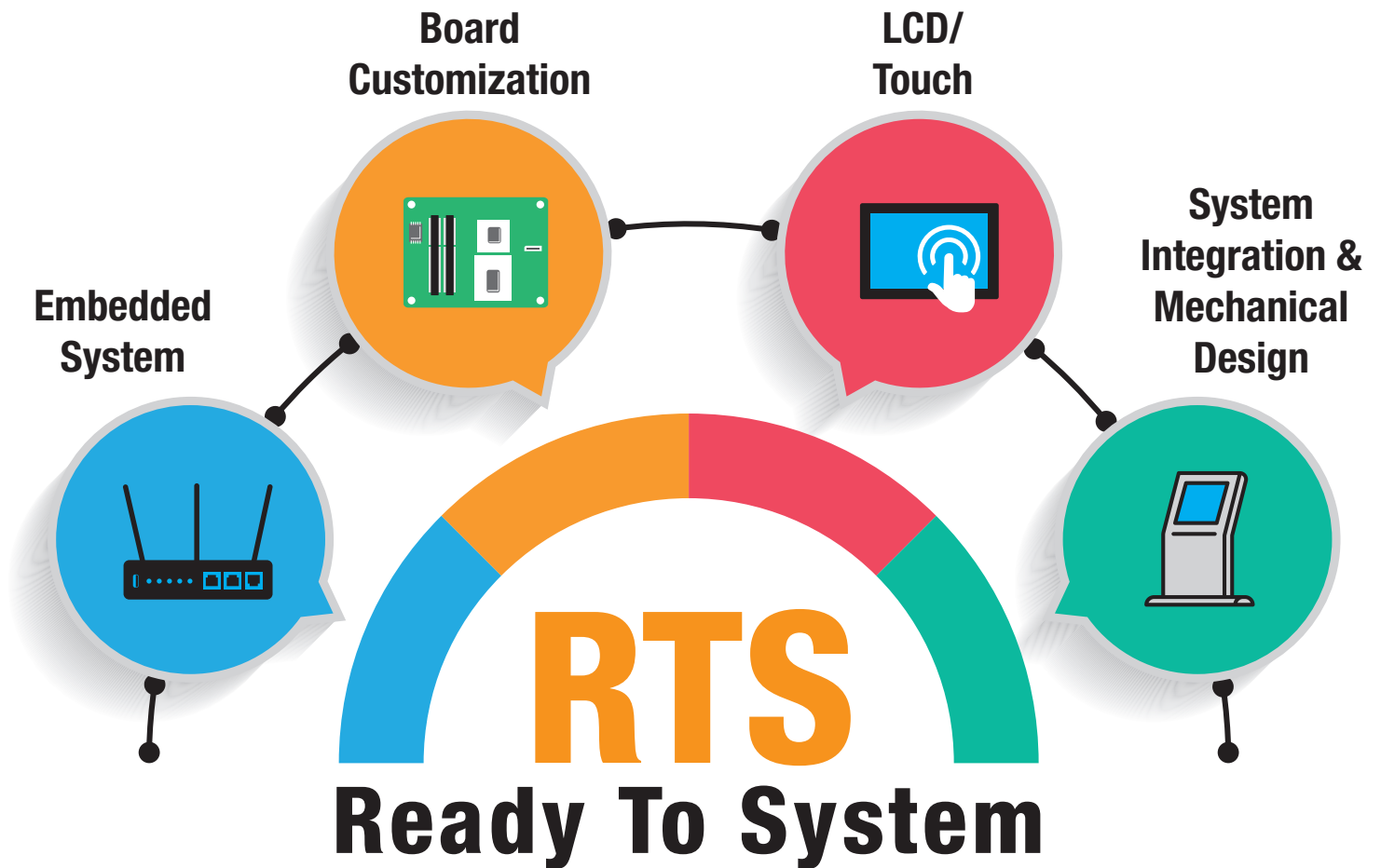
RICO-MX8P

Pico-ITX Fanless Board with NXP i.MX 8M Plus

- NXP i.MX 8M Plus
- Onboard LPDDR4 2GB/4GB/8GB (Optional)
- Onboard eMMC 16GB and Micro-SD Card Slot
- HDMI 2.0(Default), LVDS, MIPI (Optional)
- M.2 2230 E-Key Slot (WiFi/BT Module, Optional)
- GbE x 2 (Onboard x 1, Daughter Board x 1)
- USB 3.2 Gen 1 x 2 (Type-C OTG x 1, Type-A x 1)
- USB 2.0 x 1 (Type-A)
- RS-232/422/485 x 1, 2-wire RS232 x 1, Debug Port x 1
- 8-bit GPIO, I2C, mPCIe Slot x 1
- +12V DC Input
- 12~24V Input, PoE, CANBus x 2, USB 2.0 x 2 via PER-T650 Daughter board
- Debian 11 Support
- Small Board Size (100mm x 80mm)



AAEON RICO-3288/RICO-3399 RISC Ready to System (RTS) Solutions



Introduction

AAEON's RISC Ready to System (RTS) Solutions combine our knowledge and expertise in RISC architecture, OEM/ODM services and system design to offer developers and systems integrators a more complete package solution to help get their applications off the ground quickly. RTS solutions are based around the flexible RICO-3288 and RICO-3399 PICO-ITX RISC boards powered by Rockchip processors.

Customers can choose to add on components such as LCD with touch screens, 4G/LTE support, cables and connectors. RTS solutions also offer full end-to-end service with board layout customization and mechanical design to mount the board into an enclosure or designing the entire system from the ground up. AAEON RTS Solutions come with industry leading support, working closely to provide services such as customizing Android OS image, testing and validating customer software, and more to help accelerate development and reduce time to market.



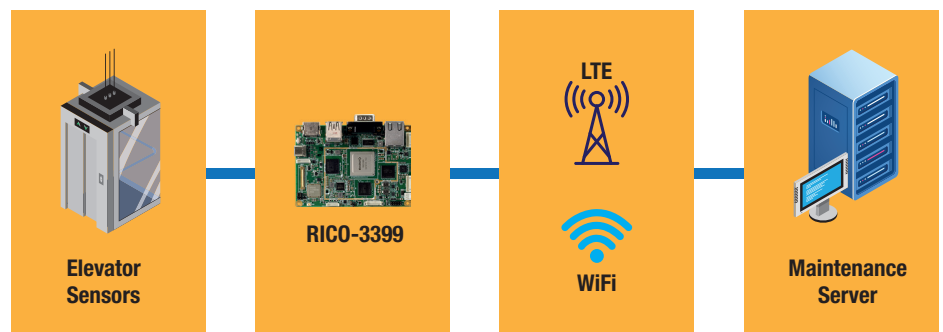
Requirements

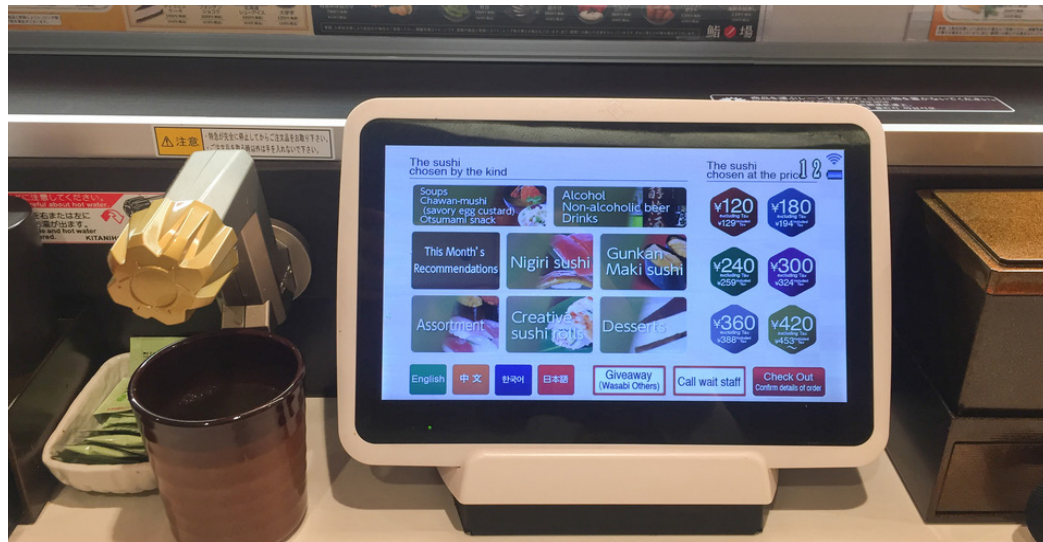
- Low Power
- Energy Efficiency
- Reliable Operation
- Wide-Temperature
- Custom Android Image

Elevator Maintenance Monitor RICO-3399

An elevator company recently decided to modernize the fleet of elevators they help maintain for their customers. One way they did this was to make maintenance more efficient and to address problems as they arise, before they can cause trouble. The company selected the RICO-3399 for the job, with its compact size, stable and reliable operation, and wide temperature design.

AAEON helped build a custom Android image which eliminated many unnecessary background applications, further saving processing power and energy, especially when the elevator is not in use. Utilizing wireless communication, the RICO-3399 connects to the company's maintenance servers allowing them to keep a close eye on the elevator, and help prevent breakdowns before they happen.





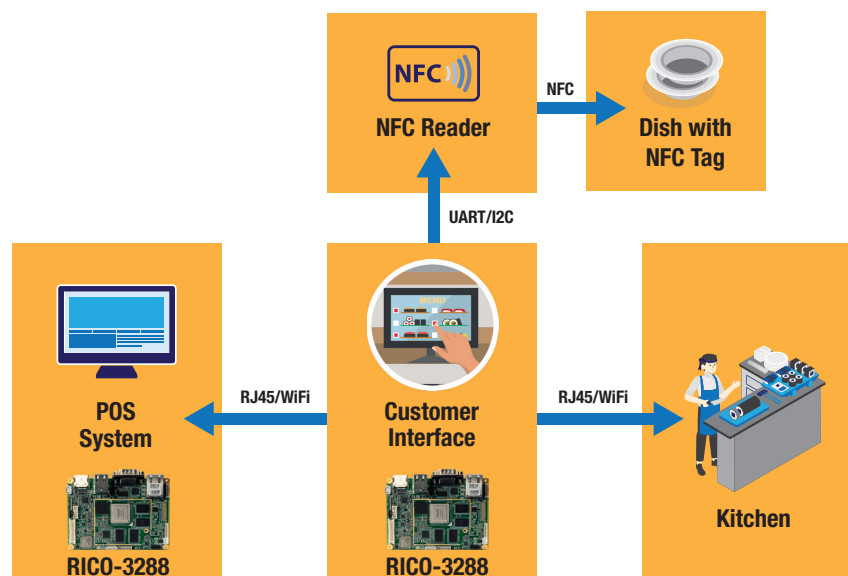
Requirements

- Compact Board
- Reliable Operation
- Custom Android Image
- Mechanical Design Support
- LCD with Touch Screen

Computerized Restaurant Ordering System RICO-3288

While most restaurants try to predict customer traffic and adjust their staffing to match, customer rushes can be unpredictable. Add in customer's ability to order individual dishes a la carte, such as in a sushi restaurant, and it becomes almost impossible to keep up with each individual diner. Many restaurants are turning to at-table ordering systems, with interactive touch-screen menu displays.

The RICO-3288 and AAEON RISC RTS solutions are at the forefront of designing and deploying these systems, helping provide LCD with touch screens, custom Android images, and even helping with mechanical design for ordering systems which can retract or hide out of the way when customers aren't using the systems.





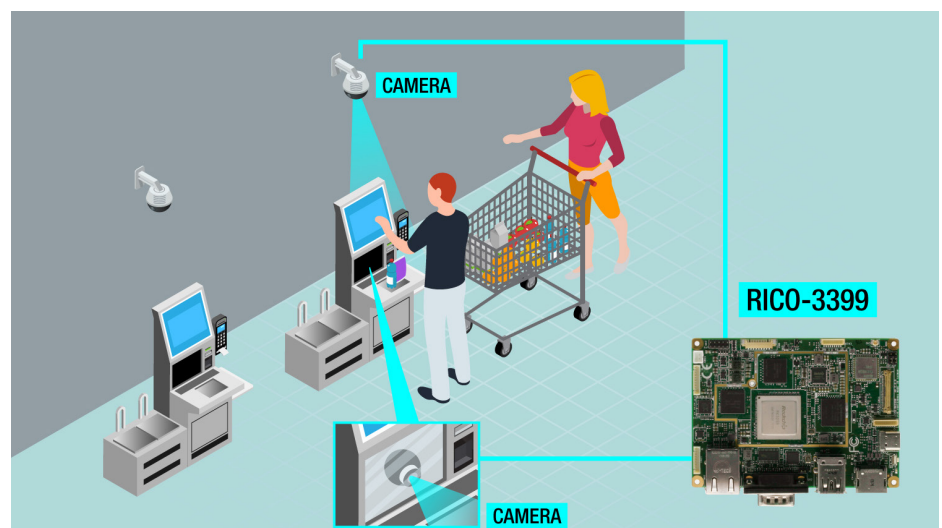
Requirements

- AI Edge Capable
- Reliable Operation
- Low Maintenance
- Wi-Fi Support
- Custom Android Image

Self-Checkout Loss Prevention RICO-3399

It's well known in the retail industry that self-checkout lanes provide greater customer convenience and experience. However, they have also become one of the highest sources of loss by shoplifting in large retailers. Deploying an object identification and behavioral analysis AI inference, retailers can better track and be alerted to potential shoplifters.

The RICO-3399 offers the processing needed to power these AI Edge Computing inferences, processing multiple camera inputs to observe customers as they check out. This also helps increase accuracy with self-checkout aisles, reducing false alarms which weight-based systems are often prone to. Fanless design and reliable operation also help reduce maintenance costs, and by connecting with the in-store networks, the RICO-3399 can warn loss prevention personnel of potential issues.

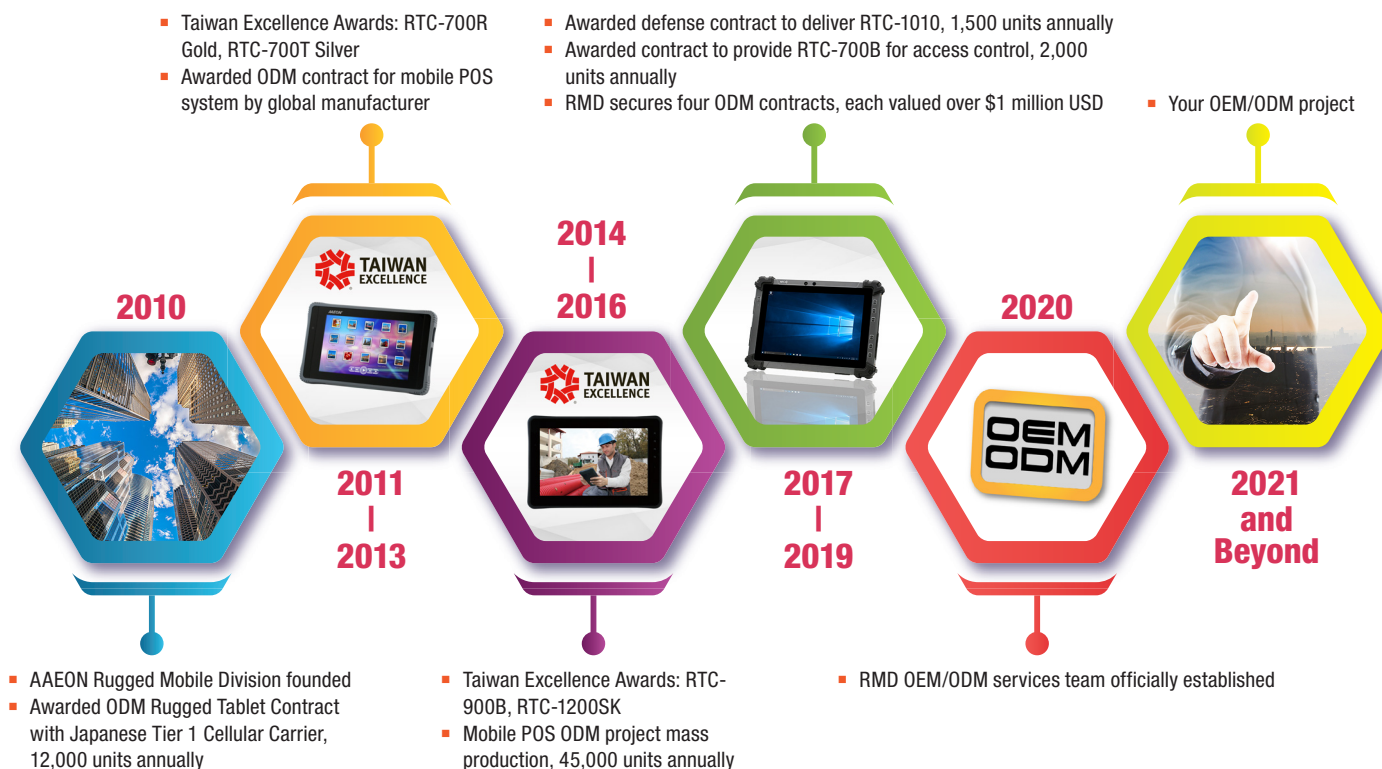


AAEON Rugged Mobile and RISC OEM/ODM Services

Introduction

AAEON Rugged Mobile Division (RMD) OEM/ODM team is dedicated to providing services for customers needing durable mobile solutions, whether board level RISC-based solutions or complete rugged systems. AAEON RMD offers over a decade of industry leading expertise and experience to bring end-to-end service and support, from firmware to smart battery management, integrated wireless communication to bright impact resistant LCD screens. RMD OEM/ODM can help accelerate development and reduce time to market whether its large volume production or small projects, with experience across a wide range of applications including ePOS, eBook reader, media boxes, fitness & exercise equipment and even client branded rugged tablets. We're also engaging new OEM/ODM markets including edge computing, AIOT gateways, and smart factory automation as part of the growing Industry 4.0 ecosystem.

Milestones



Core Competencies



Embedded Firmware Service

- Power Sequence, Sensors Access



Limitless Mobility

- RFID, 5G, WI-FI 6, Bluetooth, GPS



Smart Battery Management

- Gauge Controller, Dual Swappable Batteries, Extend Portable Battery Life



High Brightness LCD

- Low Humidity, High Transmittance, and UV-block Coating



AAEON Rugged Mobile and RISC OEM/ODM Services

System



With AAEON RMD OEM/ODM services you get access to our knowledge and experience in designing rugged mobile systems, from mechanical design to selecting the right materials for the job, and ensuring a smooth manufacturing process to reduce and eliminate factory defects. RMD OEM/ODM covers all the bases, from design and process failure mode and effects analysis (DFMEA/PFMEA) to mold flow analysis, mechanical, tolerance and thermal analysis. RMD OEM/ODM offers total end-to-end service in designing, testing and deploying your custom system.

Software



AAEON RMD OEM/ODM team also includes dedicated software support. RMD OEM/ODM team can help power your board with services designed to ensure proper functionality with license operating systems like Microsoft® Windows™ or open-source OS like Android and Debian; building, testing and validating custom operating system images; or helping to validate and debug proprietary software, ensuring it runs smoothly. AAEON RMD OEM/ODM team provides rapid service, responding to software questions or issues quickly to prevent delays in deploying your application.

Board



The foundation of any project, RMD's OEM/ODM team can help design and build the perfect layout for your project. Utilizing both Intel x86 and ARM based processors including the Rockchip RK3000 series and NXP i.MX8, OEM/ODM customers can choose the best system for their applications. Functionality and flexibility are easy to achieve, whether you need broad I/O and expansion support, built-in Wi-Fi or cellular support (4G/LTE/5G), or need an ultrathin, compact board. How thin can we make it? Yes.

Service

AAEON RMD OEM/ODM team is dedicated to working closely with every customer, providing individualized service throughout the process. Our team responds to inquiries and issues quickly, and provides testing, validation and certification to help accelerate development and reduce time-to-market. RMD OEM/ODM service doesn't stop at the loading dock, either. AAEON is dedicated to providing service and support after our products leave the factory, providing quick response and turn around including RMAs processed within 24 hours.

OMNI Modular Builder

Introduction

The OMNI Panel PC is built with an innovative modular design to make it quick and easy for suppliers and customers to find and build the configuration they need for the job. From panel and box to I/O modules, the OMNI Panel PC offers a range of configurations and combinations you can build.

The OMNI modular panel PC features three main components; the Panel Kit, CPU BOX Kit, and I/O Modules. Each Panel Kit comes with a standard slot attachment, which allows any OMNI CPU BOX kit to be mounted quickly and easily. It only takes three wires and three screws to attach the CPU BOX kit to the Panel Kit. The optional I/O Modules simply plug into the side of the CPU BOX Kit and can be secured with two screws. Even better, the OMNI system uses a plug-and-play style firmware, allowing you to quickly change components without needing to flash or update the BIOS settings.

With this modular design system, customers can easily build or upgrade their own Panel PC, and suppliers can enjoy more flexibility and cost savings while maintaining stock. All a customer needs to do is pick their preferred screen size, the box kit with the processor and specifications desired, and the optional I/O module they need.

Build Your Own or Select a Pre-built System

Select Module Kit to Build Your Configuration



Panel Kit



Box Kit



I/O Module / iDoor Module

Pre-built System



**Modular
Touch
Panel
Solutions**



ES France - Mobilité & Systèmes Embarqués
127 rue de Buzenval BP 26 - 92380 Garches



Tél. 01 47 95 99 80
Fax. 01 47 01 16 22



e-mail : mse@es-france.com
Site Web : www.es-france.com

Build Your Own in Three Steps!

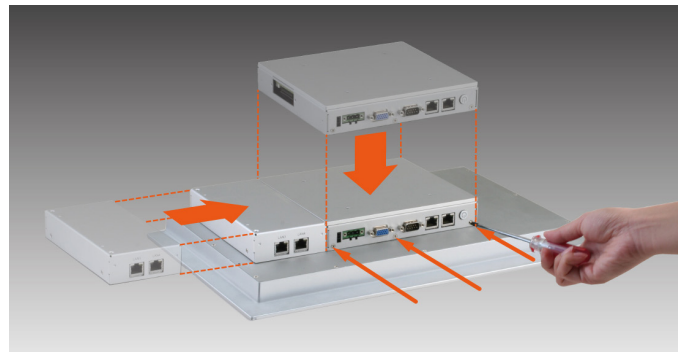
Step 1: Select a Panel Kit, with sizes from 10.4" up to 21.5"



Step 2: Select a CPU Box Kit or a Display Box Kit



Step 3: Select an I/O Module / iDoor Module (Optional)



Or Select a pre-built OMNI System

OMNI-SKU: These systems feature the 6th Generation Intel Core i7/i5/i3 and Celeron 3995 processors (formerly Skylake), combined with up to 16GB of memory.

OMNI-BT: These systems are powered by the Celeron J1900 and Celeron N2807 processors (formerly Bay Trail), with up to 8GB of memory available (J1900 CPU).

OMNI-M: These systems are fitted with the Display Box Kit, allowing you to connect the OMNI panel to any PC system via VGA or HDMI.

OMNI-ADP: These system feature the 12th Generation Intel Core i7/i5/i3 and Celeron 7305E processor (formerly Alder Lake P) combined with up to 64GB of memory.

OMNI-ADN: There system are powered by the N97 and N50 processors (formerly Alder Lake N) with up to 32GB of memory.



01

01

Rugged Tablet Computers



ES France - Mobilité & Systèmes Embarqués
127 rue de Buzenval BP 26 - 92380 Garches



Tél. 01 47 95 99 80
Fax. 01 47 01 16 22



e-mail : mse@es-france.com
Site Web : www.es-france.com

RTC-710RK

7" Rugged Tablet ARM-based Android™ with 1.6 GHz Quad Core Processor



Features

- 7" WXGA (1280 x 800) 700-nit TFT LCD
- Rockchip RK3399K Processor
- Onboard LPDDR4 Memory, 2GB (Default) / 4GB
- eMMC 16GB (Default) / 32GB / 64GB
- Projected Capacitive Multi-Touch Screen
- WiFi 802.11b/g/n, Bluetooth 4.2, LTE (Optional)
- 8MP Front and 8MP Rear Camera
- UART Port + 10/100/1000 Base-T RJ45 via I/O Module (Optional)
- USB 3.2 Gen 1 Type-C x 1, USB 2.0 Type-A x 1
- 2D Barcode Scanner via I/O Module (Optional)
- GPS + GLONASS (Default), BeiDou (Optional)
- One Hot-swappable Battery + Internal Battery, Up to 44W Battery Capacity
- MIL-STD-810G, IP65 Compliant, Drop 150cm
- Programmable Function Key: F1, F2, F3, Volume Up/Down, With LED Illumination
- Android 11



Barcode Scanner (Optional)	2D Barcode scanner, OPTICON MDI-4100-USB via I/O module (Optional)
HF RFID (Optional)	—
Audio	Speaker x 1
Physical Key	F1 (Audio On/Off), F2 (Screenprint), F3 (Barcode Scanner Trigger), Volume Up, Volume Down
Mechanical	
Color	Dark Gray
Dimension (W x H x D)	8.65" x 5.46" x 0.94" (219.8 x 138.8 x 23.9 mm)
Gross Weight	1.54 lb (0.7 Kg) based on configurations
Environmental	
Operating Temperature	-4°F ~ 140°F (-20°C ~ 60°C) for high-brightness version
Storage Temperature	-22°F ~ 158°F (-30°C ~ 70°C)
Humidity	MIL-STD-810G Method 507.5
Environmental Sealing	IP65
Vibration	MIL-STD-810G Method 514.6
Drop	MIL-STD-810G Method 516.6 Procedure IV Height of Drop: 150 cm 5 ft
Shock	MIL-STD-810G
ESD	Air charge: +/- 8KV, Contact charge: +/- 4KV
Certifications and Standards	UL62368-1, CE EMC, CE RED WiFi 2.4G+5G; CB; FCC EMC, FCC RF WiFi 2.4G; UKCA / UL; TELEC WiFi / LTE
Power Supply	
AC / DC Adapter	AC 100 ~ 240 V, 50 ~ 60 Hz, Output: 12V/ 3.34A/ 40W
Battery Life	Li-ion Battery 8-hour battery life based on test configurations
Master Battery	7.2V, 4540mAh, 32.7W
Slave Battery	Hot-swappable battery: 7.4V, 1530mAh, 11.3W (Optional)
Display	
LCD	7" TFT-LCD / 16:10, with LED backlight
Resolution	1280 x 800
Maximum Color	—
Dot Size	0.03925(H) X 0.11775(V) mm
Brightness	700 / 300 nits
Viewing Angle	Horizontal: 178° (Typ.), Vertical: 178° (Typ.)
Touch Screen	
Touch Type	7" Projected Capacitive Multi-Touch Screen (700 nits with 10 points)
Light Transmission	Min. 85%

Specifications

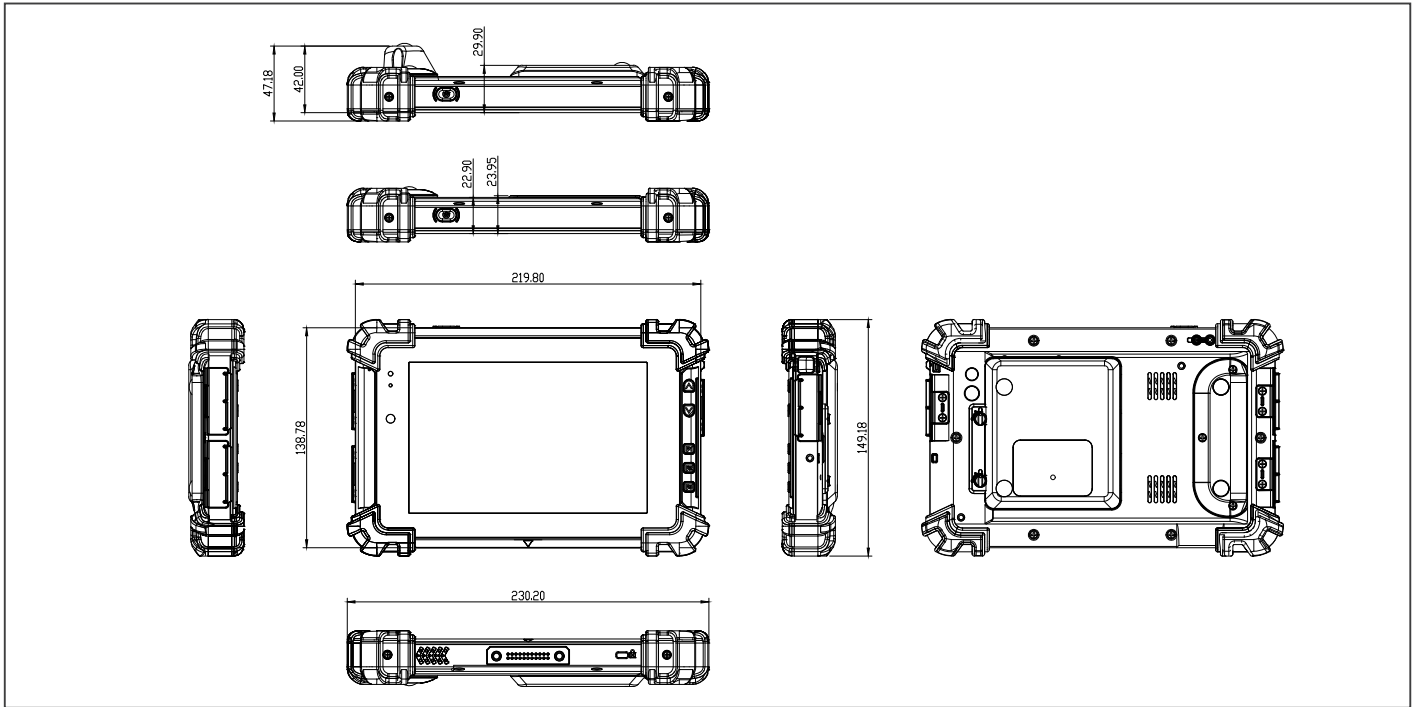
System Architecture	
Processor	Rockchip RK3399K Processor (Quad-Core A53 1.6GHz & Dual-Core A72 2.0GHz)
Operating System	Android™ 11 (No NFC function)
Memory	Onboard LPDDR4 2GB (Default) / 4GB
Storage	eMMC 16GB (Default) / 32GB / 64GB
Display	7" WXGA (1280x800) 700-nit TFT LCD With Projected Capacitive Multi-Touch Screen
I/O Port	SIM card slot x 1 USB 3.2 Gen 1 Type-C x 1 Audio jack x 1 (3.5mm) DC-in jack x 1 Micro-SD card slot x 1 USB 2.0 Type-A x 1 UART Port x 1 (Via I/O Module) 10/100/1000 Base-T RJ45 x 1 (Via I/O Module)
Communication	Wi-Fi 802.11 b/g/n, Bluetooth v4.2 (EDR + BLE)
Navigation	GPS + GLONASS (Default), BeiDou (Optional), External Antenna (Optional)
WWAN(optional)	LTE via M.2 slot (Optional) Hot-swappable Battery can not be used when LTE module is installed.
Camera	8MP front camera 8MP rear camera with flash
Sensor	G-sensor, E-compass, Gyro-sensor, Light-sensor
Expansion Slot	M.2 slot x 1 Docking connector: USB 3.2 Gen 1 x 1





Dimension

Unit: mm



Packing List

- **RTC-710RK**
 - **1255X00008**
AC-To-DC Power Adaptor, 12V, 40W
- *Power cord must be purchased separately.

Optional Accessories

- **RDS-0710-000**
Docking Station
- **RDS-0710-001**
Docking Station, W/ Stand
- **RTC-710-HS-000**
Hand Strap
- **RTC-710-BAG-000**
Carry Bag
- **RDS-0040-0000**
4-Bay Battery Charger
- **9741600R04**
Battery Pack, 7.4V, 1530mAh, 2pcs/Box
- **RTC-710-VMP-000**
VESA Mount Plate, for I/O Module Excluded
- **RTC-710-DTDP-A-000**
- **170X000799**
Power Cord for USA
- **170X000800**
Power Cord for Europe
- **170X000803**
Power Cord for UK
- **170X000803**
Power Cord for Japan
- Car Adapter, Cigarette Plug

Ordering Information

Part Number	CPU	OS	LCD Display	Touch Screen	System Memory	Storage	Expansion I/O	Sensor	WiFi/Bluetooth	Navigation	LTE Bands (MHz)	Camera	Docking	2D Barcode Scanner	Battery	Power
RTC-710RK-RH0001	RK3399K	Android 11	7" 700 nits	PCT 10 points	LPDDR4 2GB	eMMC 16GB	SIM card slot x 1, USB 3.2 Gen 1 Type-C x 1, Audio jack x 1 (3.5mm), DC-in jack x 1, Micro-SD card slot x 1, USB 2.0 Type-A x 1	G-sensor Gyro-sensor Light-sensor	802.11 b/g/n + BT4.2	—	—	Front: 8MP	—	—	32.7W (internal)	DC12V
RTC-710RK-RH0002	RK3399K	Android 11	7" 700 nits	PCT 10 points	LPDDR4 2GB	eMMC 16GB	SIM card slot x 1, USB 3.2 Gen 1 Type-C x 1, Audio jack x 1 (3.5mm), DC-in jack x 1, Micro-SD card slot x 1, USB 2.0 Type-A x 1	G-sensor Gyro-sensor Light-sensor	802.11 b/g/n + BT4.2	GPS / GLONASS	—	Front: 8MP Rear: 8MP w/ Flash	Yes	—	32.7W + 11.3W	DC12V
RTC-710RK-RH0003	RK3399K	Android 11	7" 700 nits	PCT 10 points	LPDDR4 2GB	eMMC 16GB	SIM card slot x 1, USB 3.2 Gen 1 Type-C x 1, Audio jack x 1 (3.5mm), DC-in jack x 1, Micro-SD card slot x 1, USB 2.0 Type-A x 1, UART Port x 1 (Via I/O Module), 10/100/1000 Base-T RJ45 x 1 (Via I/O Module)	G-sensor Gyro-sensor Light-sensor	802.11 b/g/n + BT4.2	GPS / GLONASS	—	Front: 8MP Rear: 8MP w/ Flash	Yes	—	32.7W + 11.3W	DC12V
RTC-710RK-RH0004	RK3399K	Android 11	7" 700 nits	PCT 10 points	LPDDR4 2GB*	eMMC 16GB	SIM card slot x 1, USB 3.2 Gen 1 Type-C x 1, Audio jack x 1 (3.5mm), DC-in jack x 1, Micro-SD card slot x 1, USB 2.0 Type-A x 1, 2D BCR x 1 (Via I/O Module)	G-sensor Gyro-sensor Light-sensor	802.11 b/g/n + BT4.2	GPS / GLONASS	—	Front: 8MP Rear: 8MP w/ Flash	Yes	Yes	32.7W + 11.3W	DC12V
RTC-710RK-RH0005	RK3399K	Android 11	7" 700 nits	PCT 10 points	LPDDR4 4GB	eMMC 16GB	SIM card slot x 1, USB 3.2 Gen 1 Type-C x 1, Audio jack x 1 (3.5mm), DC-in jack x 1, Micro-SD card slot x 1, USB 2.0 Type-A x 1	G-sensor Gyro-sensor Light-sensor	802.11 b/g/n + BT4.2	GPS / GLONASS	—	Front: 8MP Rear: 8MP w/ Flash	Yes	—	32.7W + 11.3W	DC12V

RTC-710AP



7" Rugged Tablet Featuring Intel® Celeron® Processor N3350/Intel® Pentium® Processor N4200 with Windows® 10



Features

- 7" WXGA (1280 x 800) 700 nit TFT LCD
- Intel® Celeron® Processor N3350, 1.1 GHz Dual Core Up to 2.4GHz (Optional: Intel® Pentium® Processor N4200)
- Onboard LPDDR4 Memory, 4GB (Default)/8GB
- eMMC 64GB (Default)/128GB
- Projected Capacitive Multi-Touch Screen
- Wi-Fi 802.11 b/g/n, Bluetooth 5.1, LTE (Optional)
- 2MP Front and 8MP Rear Camera
- RS-232 COM Port + 10/100/1000 Base-T RJ-45 via I/O Module (Optional)
- USB 3.2 Gen 1 (Type-C) x 1, USB 2.0 (Type-A) x 1
- 2D Barcode Scanner via I/O Module (Optional)
- NFC (HF RFID) Reader (Optional)
- Up to 3 GNSS, GPS + Galileo (Default), GLONASS, BeiDou (Optional)
- One Hot-swappable Battery + Internal Battery, Up to 44W Capacity
- MIL-STD-810G, IP65 Compliant, Drop 150cm
- Function Key: F1, F2, F3, Volume Up/Down, With LED Illumination
- Windows® 10 IoT



Audio	Speaker x 1
Physical Key	F1 (Ctrl+Alt+Del as Soft Reboot), F2 (Screenprint), F3 (Barcode Scanner Trigger), Volume Up, Volume Down
Mechanical	
Color	Dark Gray
Dimension (W x H x D)	8.65" x 5.46" x 0.94" (219.8mm x 138.8mm x 23.9mm)
Gross Weight	1.54 lb (0.7 Kg) based on configurations
Environmental	
Operating Temperature	-4°F ~ 122°F (-20°C ~ 50°C) for high-brightness version
Storage Temperature	-22°F ~ 158°F (-30°C ~ 70°C)
Humidity	MIL-STD-810G Method 507.5
Environmental Sealing	IP65
Vibration	MIL-STD-810G Method 514.6
Drop	MIL-STD-810G Method 516.6 Procedure IV Height of Drop: 150 cm (5 ft)
Shock	—
ESD	Air charge: +/- 8KV, Contact charge: +/- 4KV
Certifications and Standards	CE EMC, CE RED WiFi 2.4G+5G / LTE; LVD; FCC EMC, FCC RF WiFi 2.4G; UKCA; TELEC WiFi / LTE
Power Supply	
AC / DC Adapter	AC 100V ~ 240 V, 50Hz ~ 60Hz, Output: 12V/3.34A/40W
Battery Life	Li-ion Battery 8-hour battery life based on test configurations
Master Battery	7.2V, 4540mAh, 32.7Wh
Slave Battery	Hot-swappable battery: 7.4V, 1530mAh, 11.3Wh (Optional)
Display	
LCD	7" TFT-LCD/16:10, with LED backlight
Resolution	1280 x 800
Maximum Color	—
Dot Size	0.03925mm (H) x 0.11775mm (V)
Brightness	700 nits
Viewing Angle	Horizontal: 178° (Typ.), Vertical: 178° (Typ.)
Touch Screen	
Touch Type	7" Projected Capacitive Multi-Touch Screen (700 nits with 10 points)
Light Transmission	Min. 85%

Specifications

System Architecture	
Processor	Intel® Celeron® Processor N3350 1.10 GHz, dual core, up to 2.4 GHz Intel® Pentium® Processor N4200 1.10 GHz, quad core, up to 2.5 GHz
Operating System	Windows® 10 IOT Enterprise SAC
Memory	Onboard LPDDR4, 4GB (Default)/8GB
Storage	eMMC 64GB (Default)/128GB
Display	7" WXGA (1280x800) 700-nit TFT LCD With Projected Capacitive Multi-Touch Screen
I/O Port	SIM Card Slot x 1 USB 3.2 Gen 1 (Type-C) x 1 Audio Jack x 1 (3.5mm) DC-in Jack x 1 MicroSD Card Slot x 1 USB 2.0 (Type-A) x 1 RS-232 COM Port x 1 (via I/O Module)(Cannot co-use with HF RFID) 10/100/1000 Base-T RJ-45 x 1 (via I/O Module)
Communication	Wi-Fi 802.11 b/g/n, Bluetooth v5.1
Navigation	Up to 3 GNSS, GPS + Galileo (Default), GLONASS, BeiDou (Optional)
WWAN(optional)	LTE via M.2 slot (Optional) Hot-swappable Battery can not be used when LTE module is installed.
Camera	2MP Front Camera, 8MP Rear Camera with flash
Sensor	G-sensor, E-compass, Gyro-sensor, Light-sensor
Expansion Slot	M.2 slot x 1, Docking connector: USB 3.2 Gen 1 x 1
Barcode Scanner (Optional)	2D Barcode scanner, OPTICON MDI-4100-USB via I/O module (Optional)
RFID (Optional)	ISO 15693 (R/W), ISO 18092 (R/W), ISO 14443-A (R/W), ISO 14443-B (Only



ES France - Mobilité & Systèmes Embarqués
127 rue de Buzenval BP 26 - 92380 Garches



Tél. 01 47 95 99 80
Fax. 01 47 01 16 22

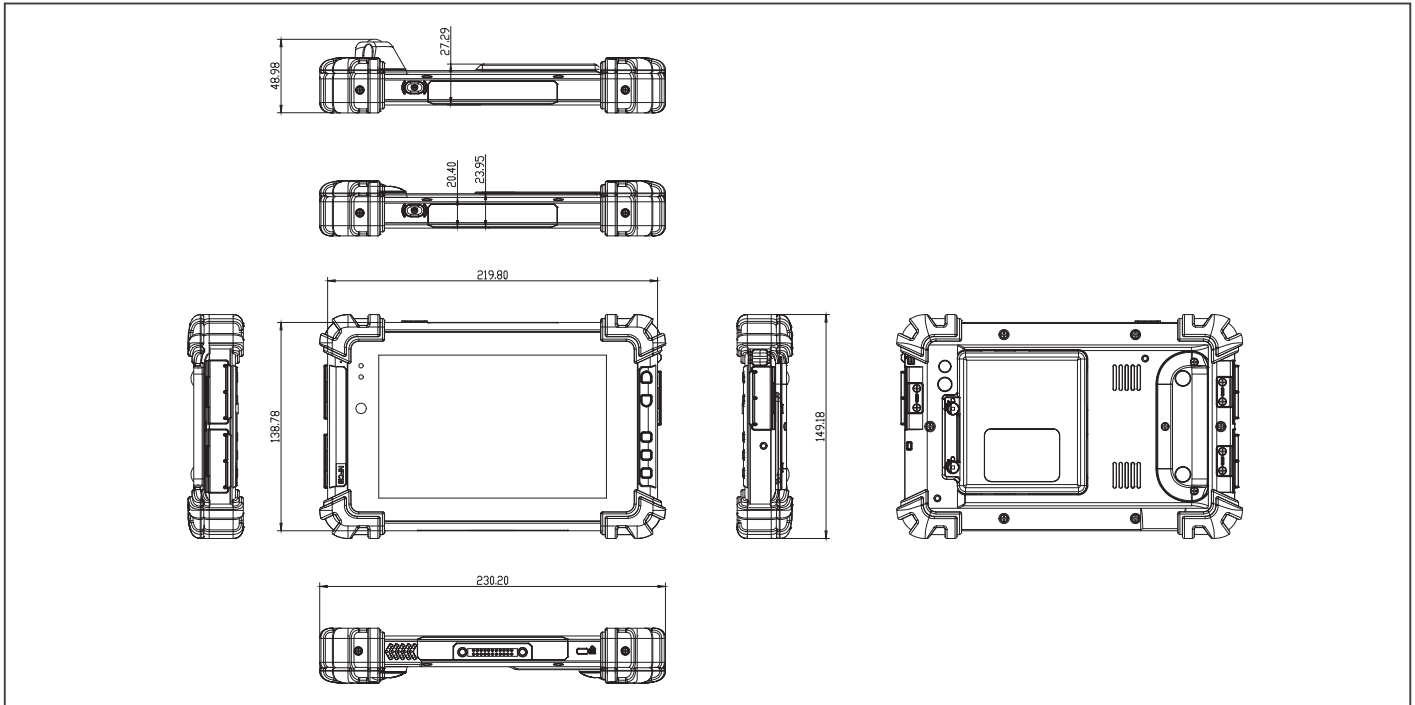


e-mail : mse@es-france.com
Site Web : www.es-france.com



Dimension

Unit: mm



Packing List

- RTC-710AP
 - 1255X00008
AC-To-DC Power Adaptor, 12V, 40W
- *Power cord must be purchased separately.

Optional Accessories

- RDS-0710-000
Docking Station
- RDS-0710-001
Docking Station, W/ Stand
- RTC-710-HS-000
Hand Strap
- RTC-710-BAG-000
Carry Bag
- RDS-0040-0000
4-Bay Battery Charger
- 9741600R04
Battery Pack, 7.4V, 1530mAh, 2pcs/Box
- RTC-710-VMP-000
VESA Mount Plate, for I/O Module Excluded
- RTC-710-DTDP A-000
Car Adapter, Cigarette Plug
- 170X000799
Power Cord for USA
- 170X000800
Power Cord for Europe
- 170203180J
Power Cord for UK
- 170X000803
Power Cord for Japan

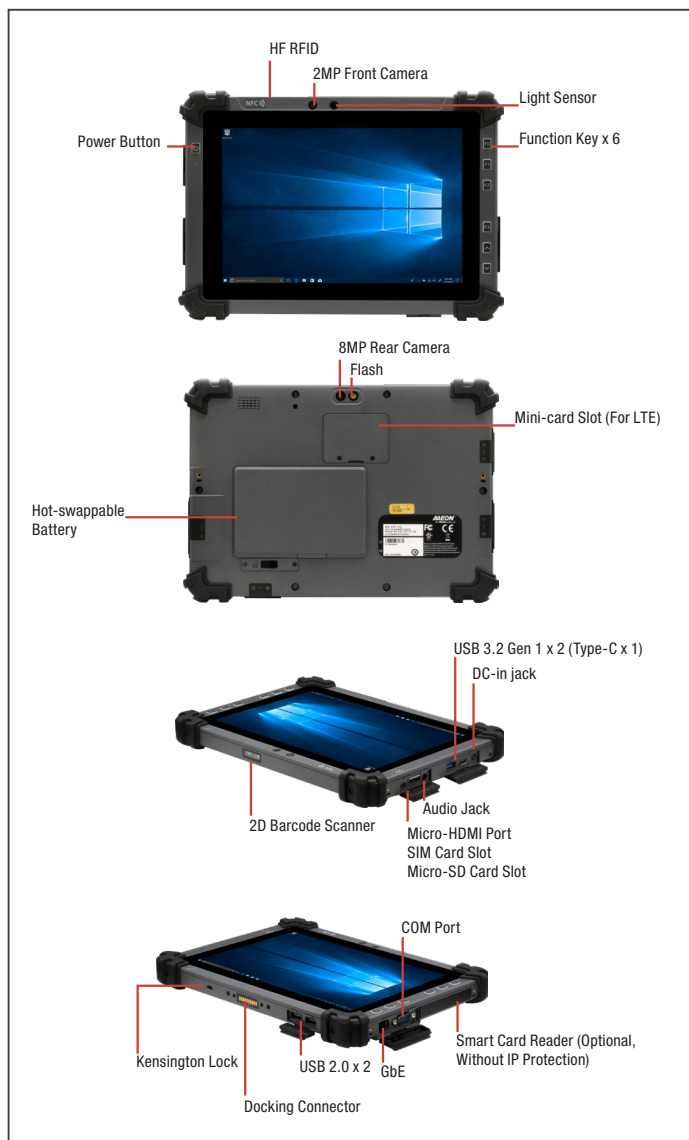
Ordering Information

Part Number	CPU	OS	LCD Display	Touch Screen	System Memory	Storage	Expansion I/O	Sensor	WiFi/Bluetooth	Navigation	LTE Bands (MHz)	Camera	Docking Connector	2D Barcode Scanner	NFC	Battery	Power
RTC-710AP-RH0001	Intel® Pentium® Processor N4200	Windows 10 IoT	7" 700 nits	PCT 10 points	LPDDR4 4GB	eMMC 64GB	SIM card slot x 1, USB 3.2 Gen 1 Type-C x 1, Audio jack x 1 (3.5mm), DC-in jack x 1, Micro-SD card slot x 1, USB 2.0 Type-A x 1	G-sensor, E-compass, Gyro-sensor, Light-sensor	802.11 b/g/n + BT4.2	—	—	Front: 2MP	—	—	—	32.7W (internal)	DC12V
RTC-710AP-RH0002	Intel® Pentium® Processor N4200	Windows 10 IoT	7" 700 nits	PCT 10 points	LPDDR4 4GB	eMMC 64GB	SIM card slot x 1, USB 3.2 Gen 1 Type-C x 1, Audio jack x 1 (3.5mm), DC-in jack x 1, Micro-SD card slot x 1, USB 2.0 Type-A x 1	G-sensor, E-compass, Gyro-sensor, Light-sensor	802.11 b/g/n + BT4.2	GPS / Galileo / GLONASS	—	Front: 2MP, Rear: 8MP w/ Flash	Yes	—	Yes	32.7W (internal) +11.3W(external)	DC12V
RTC-710AP-RH0003	Intel® Pentium® Processor N4200	Windows 10 IoT	7" 700 nits	PCT 10 points	LPDDR4 4GB*	eMMC 64GB	SIM card slot x 1, USB 3.2 Gen 1 Type-C x 1, Audio jack x 1 (3.5mm), DC-in jack x 1, Micro-SD card slot x 1, USB 2.0 Type-A x 1, RS232 Port x 1 (Via I/O Module), 10/100/1000 Base-T RJ45 x 1 (Via I/O Module)	G-sensor, E-compass, Gyro-sensor, Light-sensor	802.11 b/g/n + BT4.2	GPS / Galileo / GLONASS	—	Front: 2MP, Rear: 8MP w/ Flash	Yes	—	—	32.7W (internal) +11.3W(external)	DC12V
RTC-710AP-RH0004	Intel® Pentium® Processor N4200	Windows 10 IoT	7" 700 nits	PCT 10 points	LPDDR4 4GB	eMMC 64GB	SIM card slot x 1, USB 3.2 Gen 1 Type-C x 1, Audio jack x 1 (3.5mm), DC-in jack x 1, Micro-SD card slot x 1	G-sensor, E-compass, Gyro-sensor, Light-sensor	802.11 b/g/n + BT4.2	GPS / Galileo / GLONASS	—	Front: 2MP, Rear: 8MP w/ Flash	Yes	Yes	Yes	32.7W (internal)+11.3W (external)	DC12V

RTC-1010



10.1" Rugged Tablet Featuring Intel® Celeron® Processor N3350/Intel® Pentium® Processor N4200 with Windows® 10



Features

- 10.1" WXGA (1280 x 800) 800 nit/300 nit TFT LCD
- Intel® Celeron® Processor N3350 1.10 GHz, dual core, up to 2.4 GHz (Optional: Intel® Pentium® Processor N4200)
- Onboard DDR3L Memory, 4GB (Default)/8GB
- eMMC 64GB (Up to 256GB, Optional)
- Wi-Fi 802.11 a/b/g/n/ac, Bluetooth 5.1, LTE (Optional)
- 2MP Front and 8MP Rear Camera
- RS-232/422/485 COM Port + 10/100/1000 Base-T RJ-45
- USB 3.2 Gen 1 x 2 (USB Type-C x 1), USB 2.0 x 2
- 2D Barcode Scanner & Smart Card Reader/HF RFID (NFC) Reader (Optional)
- Up to 3 GNSS, GPS + Galileo (Default), GLONASS, BeiDou (Optional)
- One Hot-swappable Battery + Internal Battery, up to 44W Capacity
- MIL-STD-810G, IP65 Compliant, Drop 122cm
- Function Key: F0, F1, F2, F3, Volume Up/Down, With LED Illumination
- Windows® 10 IoT



HF RFID (Optional)	ISO 15693 (R/W), ISO 18092 (R/W), ISO 14443-A (R/W), ISO 14443-B (Only Read UID), Depend on card type
Audio	Speaker x 1
Physical Key	F0 or Windows (Windows Start Key), F1 (BCR Trigger Button (When BCR is enabled)), F2 (Screenprint), F3 (Ctrl+Alt+Del as Soft Reboot), Volume Up (Speaker Volume Up), Volume Down (Speaker Volume Down)
Mechanical	
Color	Black & Dark Grey
Dimension (W x H x D)	10.71" x 7.48" x 0.80" (272.0mm x 190.0mm x 20.4mm)
Gross Weight	2.2 lb. (1.0Kg) based on configurations
Environmental	
Operating Temperature	-4°F ~ 122°F (-20°C ~ 50°C)
Storage Temperature	-67°F ~ 158°F (-55°C ~ 70°C)
Humidity	0% ~ 90% relative humidity, non-condensing
Environmental Sealing	IP65
Vibration	MIL-STD-810G-514.6 Procedure I Cat.24, Fig 514.6E-1 & 514.6E-2 (Unit is non-operating) ASTM 4169-99 Truck Assurance Level II, Schedule E (Unit is non-operating)
Drop	MIL-STD-810G-516.6, Procedure IV Drop height: 122 cm Number of Drop: 26 times, for all surfaces, edges and corners Condition: Based on 2" plywood over concrete
Shock	—
ESD	Air charge: +/- 8KV, Contact charge: +/- 4KV
Certifications and Standards	CE EMC, CE RED WiFi 2.4G+5G / LTE, LVD, FCC EMC, FCC RF WiFi 2.4G+5G, IC / UKCA / UL, TELEC WiFi
Power Supply	
AC / DC Adapter	AC 100V ~ 240V, 50Hz ~ 60Hz, Output: 12V/3A/36W
Battery Life	Li-ion Battery 8-hour battery life based on test configurations
Master Battery	Hot-swappable battery: 14.4V, 2270mAh, 32.7W
Slave Battery	7.4V, 1530mAh, 11.3W
Display	
LCD	10.1" TFT-LCD Display
Resolution	1280 x 800
Maximum Color	16.7M
Dot Size	0.1692mm (H) x 0.1692mm (V)
Brightness	300 nits (800 nits, Optional)
Viewing Angle	Horizontal: 170°, Vertical: 170° (Typical)
Touch Screen	
Touch Type	Projected Capacitive Multi-Touch Screen (PCT)
Light Transmission	Min. 85%

Specifications

System Architecture	
Processor	Intel® Celeron® Processor N3350 1.10 GHz, dual core, up to 2.4 GHz Intel® Pentium® Processor N4200 1.10 GHz, quad core, up to 2.5 GHz
Operating System	Windows® 10 IoT Enterprise SAC
Memory	Onboard DDR3L 4GB (Default)/8GB
Storage	eMMC 64GB (Up to 256GB, Optional)
Display	10.1" WXGA (1280 x 800) 800 nit/300 nit TFT LCD with Projected Capacitive Multi-Touch Screen
I/O Port	Micro HDMI Port x 1 SIM Card Slot x 1 MicroSD Card Slot x 1 Audio Jack x 1 (3.5mm) USB 3.2 Gen 1 x 2 (USB Type-C x 1), USB 2.0 x 2 DC-in Jack x 1 RS-232/422/485 COM Port x 1 10/100/1000 Base-T RJ-45 x 1 Smart Card Reader x 1 (Optional, Without IP protection)
Communication	Wi-Fi 802.11 a/b/g/n/ac, Bluetooth v5.1 (EDR + BLE), Intel AC9260
Navigation	Up to 3 GNSS, GPS + Galileo (Default), GLONASS, BeiDou (Optional)
WWAN(optional)	LTE via Mini Card slot (Optional)
Camera	2MP Front Camera 8MP Rear Camera with flash
Sensor	G-sensor, E-compass, Gyro-sensor, Light-sensor
Expansion Slot	Inside M.2 slot x 1 (For WiFi module) Mini-card slot x 1 (For LTE module)



ES France - Mobilité & Systèmes Embarqués
127 rue de Buzenval BP 26 - 92380 Garches



Tél. 01 47 95 99 80
Fax. 01 47 01 16 22

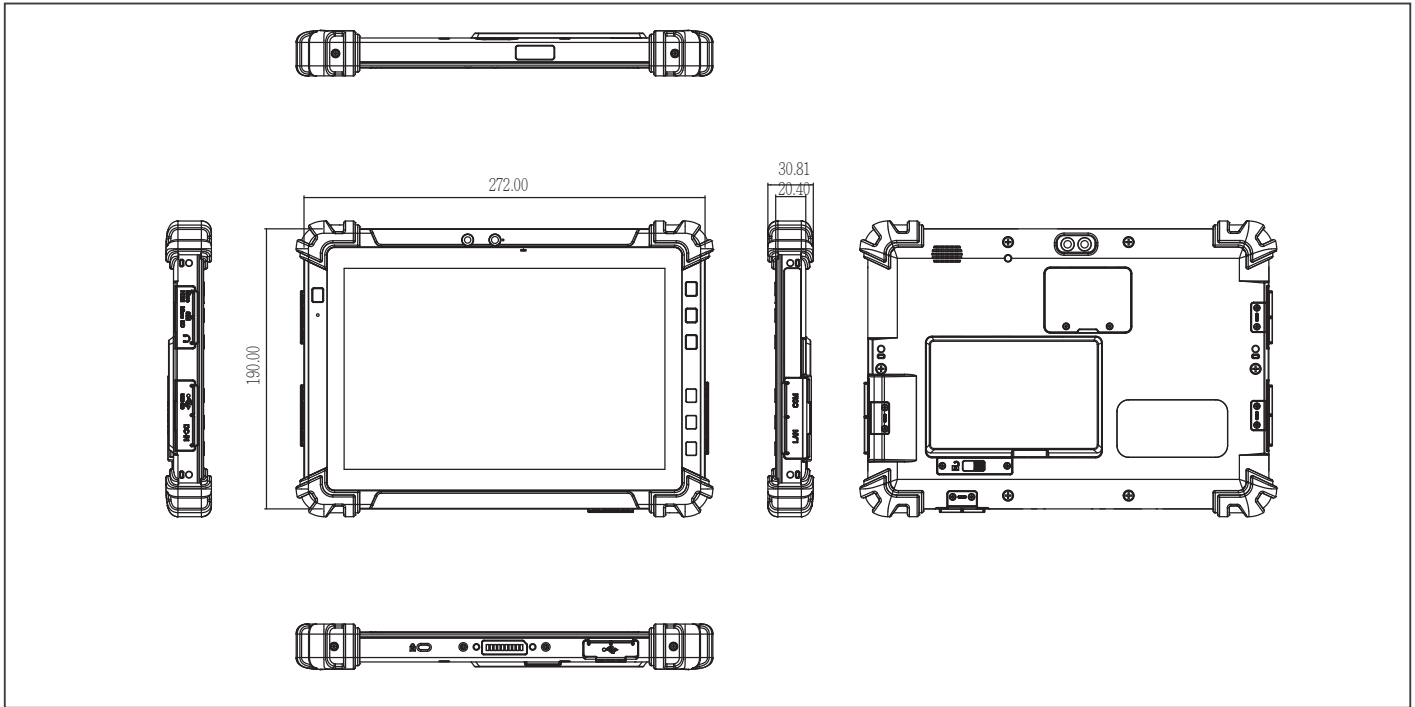


e-mail : mse@es-france.com
Site Web : www.es-france.com



Dimension

Unit: mm



Packing List

- **RTC-1010**
 - **1255300365**
AC-To-DC Power Adaptor, 12V, 36W
- *Power cord must be purchased separately.

Optional Accessories

- **RDS-411-000**
Docking Station, W/O Stand
- **RDS-411-001**
Docking Station, W/ Stand
- **RBC-1200-000**
4-bay Battery Charger
- **RTC-1010-HS-000**
Hand Strap
- **RTC-1010-SB-000**
Shoulder Belt, 2 Points
- **RTC-1200BATO1-000**
Battery Pack, 14.4V, 2270mAh, 2 pcs/Box
- **RTC-1010-DTDP-A002**
DC-To-DC Power Adaptor, Flying Wires
- **RTC-1010-DTDP-A001**
DC-To-DC Power Adaptor, Cigarette Plug
- **170X000799**
Power Cord for US
- **170X000800**
Power Cord for EU
- **170203180J**
Power Cord for UK
- **170X000803**
Power Cord for Japan

Ordering Information

Part Number	CPU	OS	LCD Display	Touch Screen	System Memory	Storage	Expansion I/O	Sensor	WiFi/Bluetooth	Navigation	LTE Bands (MHz)	Camera	2D Barcode Scanner	NFC	Battery	Power
RTC-1010-R2004	Intel® Celeron® Processor N3350	Windows 10 IOT	10.1" 300 nits	PCT 10 points	DDR3L 4GB	eMMC 64GB	Micro-HDMI port x 1, SIM card slot x 1, Micro-SD card slot x 1, Audio jack x 1, USB 3.0 x 2 (USB Type-C x 1), USB 2.0 x 2 DC-in jack x 1	G-sensor E-compass Gyro-sensor Light-sensor	802.11 a/b/g/n/ac + BT 5.1	N/A	N/A	Front: 2MP Rear: 8MP w/ Flash	N/A	N/A	32.7W	DC12V
RTC-1010-R2005	Intel® Celeron® Processor N3350	Windows 10 IOT	10.1" 300 nits	PCT 10 points	DDR3L 4GB	eMMC 64GB	Micro-HDMI port x 1, SIM card slot x 1, Micro-SD card slot x 1, Audio jack x 1, USB 3.0 x 2 (USB Type-C x 1), USB 2.0 x 2, DC-in jack x 1, RS-232/422/485 COM Port x 1, 10/100/1000 Base-T RJ45 x 1	G-sensor E-compass Gyro-sensor Light-sensor	802.11 a/b/g/n/ac + BT 5.1	GPS / Galileo / GLONASS	N/A	Front: 2MP Rear: 8MP w/ Flash	N/A	N/A	32.7W + 11.3W	DC12V
RTC-1010-R2001	Intel® Celeron® Processor N3350	Windows 10 IOT	10.1" 300 nits	PCT 10 points	DDR3L 4GB	eMMC 64GB	Micro-HDMI port x 1, SIM card slot x 1, Micro-SD card slot x 1, Audio jack x 1, USB 3.0 x 2 (USB Type-C x 1), USB 2.0 x 2, DC-in jack x 1, RS-232/422/485 COM Port x 1, 10/100/1000 Base-T RJ45 x 1	G-sensor E-compass Gyro-sensor Light-sensor	802.11 a/b/g/n/ac + BT 5.1	GPS / Galileo / GLONASS	N/A	Front: 2MP Rear: 8MP w/ Flash	Yes	Yes	32.7W + 11.3W	DC12V
RTC-1010-R2003	Intel® Pentium® Processor N4200	Windows 10 IOT	10.1" 300 nits	PCT 10 points	DDR3L 4GB	eMMC 64GB	Micro-HDMI port x 1, SIM card slot x 1, Micro-SD card slot x 1, Audio jack x 1, USB 3.0 x 2 (USB Type-C x 1), USB 2.0 x 2, DC-in jack x 1, RS-232/422/485 COM Port x 1, 10/100/1000 Base-T RJ45 x 1	G-sensor E-compass Gyro-sensor Light-sensor	802.11 a/b/g/n/ac + BT 5.1	GPS / Galileo / GLONASS	N/A	Front: 2MP Rear: 8MP w/ Flash	Yes	Yes	32.7W + 11.3W	DC12V
RTC-1010-RH2005	Intel® Celeron® Processor N3350	Windows 10 IOT	10.1" 800 nits	PCT 10 points	DDR3L 4GB	eMMC 64GB	Micro-HDMI port x 1, SIM card slot x 1, Micro-SD card slot x 1, Audio jack x 1, USB 3.0 x 2 (USB Type-C x 1), USB 2.0 x 2, DC-in jack x 1, RS-232/422/485 COM Port x 1, 10/100/1000 Base-T RJ45 x 1	G-sensor E-compass Gyro-sensor Light-sensor	802.11 a/b/g/n/ac + BT 5.1	GPS / Galileo / GLONASS	N/A	Front: 2MP Rear: 8MP w/ Flash	N/A	N/A	32.7W + 11.3W	DC12V
RTC-1010-RH2003	Intel® Pentium® Processor N4200	Windows 10 IOT	10.1" 800 nits	PCT 10 points	DDR3L 4GB	eMMC 64GB	Micro-HDMI port x 1, SIM card slot x 1, Micro-SD card slot x 1, Audio jack x 1, USB 3.0 x 2 (USB Type-C x 1), USB 2.0 x 2, DC-in jack x 1, RS-232/422/485 COM Port x 1, 10/100/1000 Base-T RJ45 x 1	G-sensor E-compass Gyro-sensor Light-sensor	802.11 a/b/g/n/ac + BT 5.1	GPS / Galileo / GLONASS	N/A	Front: 2MP Rear: 8MP w/ Flash	Yes	Yes	32.7W + 11.3W	DC12V

RTC-1010RK



10.1" Rugged Tablet Featuring Rockchip RK3399 With Android™ 11



Features

- 10.1" WXGA (1280 x 800) 800-nit/300-nit TFT LCD
- Rockchip RK3399 Processor
- Onboard LPDDR4 Memory, 2GB/4GB (Default)
- eMMC 64GB (Default)/128GB
- Wi-Fi 802.11 a/b/g/n/ac, Bluetooth 5.2, LTE (Optional)
- 8MP Front and 8MP Rear Camera
- RS-232/422/485 COM Port + 10/100/1000 Base-T RJ-45
- USB 3.2 Gen 1 x 2 (USB Type-C x 1), USB 2.0 x 2
- 2D Barcode Scanner (Optional)
- HF RFID (NFC) Reader (Optional)
- GPS + GLONASS (Default), BeiDou (Optional)
- One Hot-swappable Battery + Internal Battery, Up to 44W Capacity
- MIL-STD-810H, IP65 Compliant, Drop 122cm
- Programmable Function Keys
- Android™ 11



HF RFID (Optional)	ISO 15693 (R/W), ISO 18092 (R/W), ISO 14443-A (R/W) ISO 14443-B (Only Read UID), Depend on card type
Audio	Speaker x 1
Physical Key	F0, F1 (BCR Trigger Button (When BCR is enabled), F2 (Screenprint), F3 (Audio On/Off), Volume Up (Speaker Volume Up), Volume Down (Speaker Volume Down)
Mechanical	
Color	Black & Dark Grey
Dimension (W x H x D)	272.0mm x 190.0mm x 20.4mm (10.71" x 7.48" x 0.80")
Gross Weight	2.2 lb (1.0 Kg) based on configurations
Environmental	
Operating Temperature	-20°C ~ 50°C (-4°F ~ 122°F)
Storage Temperature	-30°C ~ 70°C (-22°F ~ 158°F)
Humidity	0% ~ 90% relative humidity, non-condensing
Environmental Sealing	IP65
Vibration	MIL-STD-810H: 2019, 514.8 Procedure I, Table 514.8C-1 Category 4 common carrier 5~500Hz X, Y, Z axes, 1-hour duration for each axis
Drop	MIL-STD-810H: 2019, 516.8 Procedure IV Drop height: 122cm Number of Drop: 26 times, for all surfaces, edges and corners Condition: Based on 2" plywood over concrete
Shock	MIL-STD-810H: 2019, 516.8 Procedure V
ESD	Air charge: +/- 8KV, Contact charge: +/- 4KV
Certifications and Standards	CE EMC, CE RED WiFi 2.4G+5G / LTE, LVD, FCC EMC, FCC RF WiFi 2.4G+5G, UKCA, TELEC WiFi
Power Supply	
AC / DC Adapter	AC 100V ~ 240 V, 50Hz ~ 60Hz, Output: 12V/3A/36W
Battery Life	Li-ion Battery 8-hour battery life based on test configurations
Master Battery	Hot-swappable battery: 14.4V, 2270mAh, 32.7W
Slave Battery	7.4V, 1530mAh, 11.3W
Display	
LCD	10.1" TFT-LCD Display
Resolution	1280 x 800
Maximum Color	16.7M
Dot Size	0.1692mm (H) x 0.1692mm (W)
Brightness	300 nits (800 nits, Optional)
Viewing Angle	Horizontal: 170°, Vertical: 170° (Typical)
Touch Screen	
Touch Type	Projected Capacitive Multi-Touch Screen (PCT)
Light Transmission	Min. 85%

Specifications

System Architecture	
Processor	Rockchip RK3399 Processor (Quad-Core Arm® Cortex®-A53, 1.6 GHz & Dual-Core Arm® Cortex®-A72, 2.0 GHz)
Operating System	Android™ 11
Memory	Onboard LPDDR4 Memory, 2GB/4GB (Default)
Storage	eMMC 64GB (Default)/128GB
Display	10.1" WXGA (1280 x 800) 800-nit/300-nit TFT LCD with Projected Capacitive Multi-Touch Screen
I/O Port	Micro HDMI Port x 1 SIM Card Slot x 1 MicroSD Card Slot x 1 Audio Jack x 1 (3.5mm) USB 3.2 Gen 1 x 2 (USB Type-C x 1), USB 2.0 x 2 DC-in Jack x 1 RS-232/422/485 COM Port x 1 10/100/1000 Base-T RJ-45 x 1
Communication	Wi-Fi 802.11 a/b/g/n/ac, Bluetooth v5.2 (EDR + BLE)
Navigation	GPS + GLONASS (Default), BeiDou (Optional)
WWAN(optional)	LTE via M.2 slot, B Key 3042 (Optional)
Camera	8MP Front Camera 8MP Rear Camera with flash
Sensor	G-sensor, E-compass, Gyro-sensor, Light-sensor
Expansion Slot	M.2 3042 B-Key (LTE) Docking connector: USB 2.0 x 1



ES France - Mobilité & Systèmes Embarqués
127 rue de Buzenval BP 26 - 92380 Garches



Tél. 01 47 95 99 80
Fax. 01 47 01 16 22

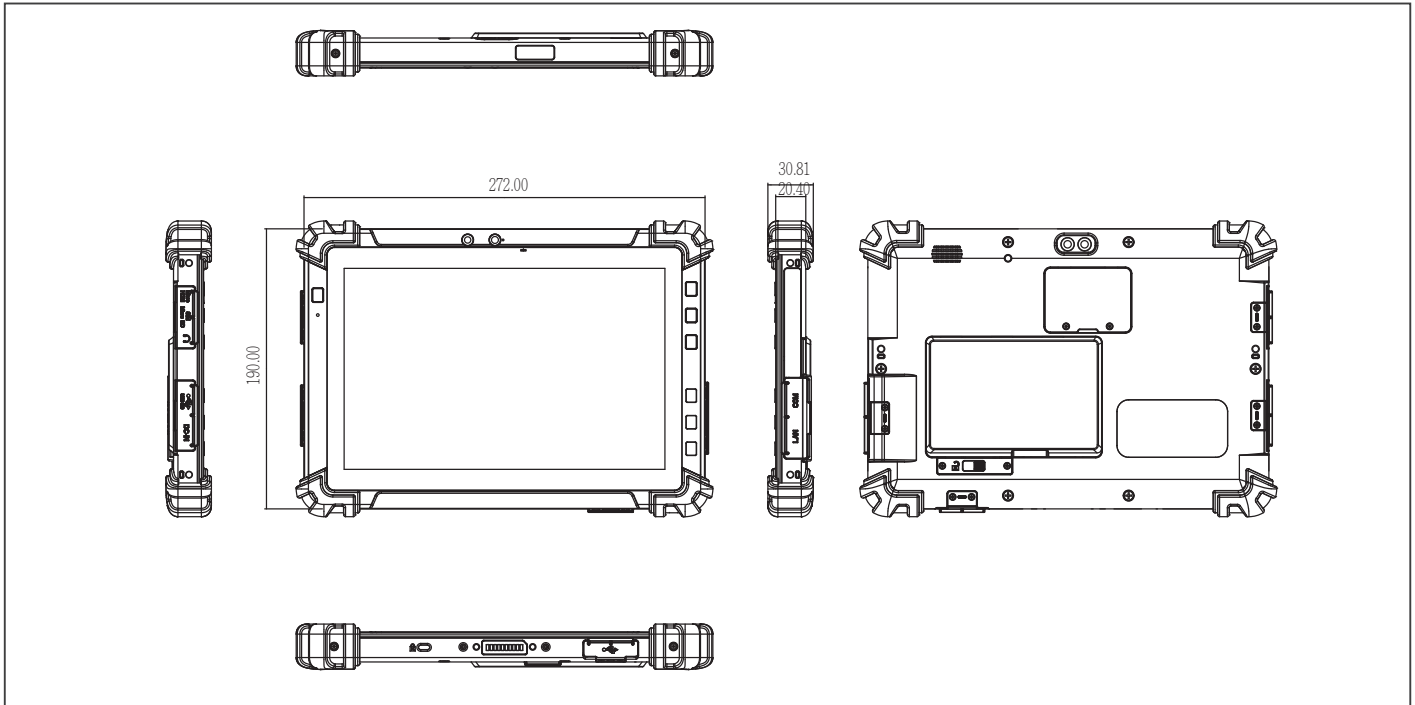


e-mail : mse@es-france.com
Site Web : www.es-france.com



Dimension

Unit: mm



Packing List

- **RTC-1010RK**
 - **1255300365**
AC-To-DC Power Adaptor, 12V, 36W
- *Power cord must be purchased separately.

Optional Accessories

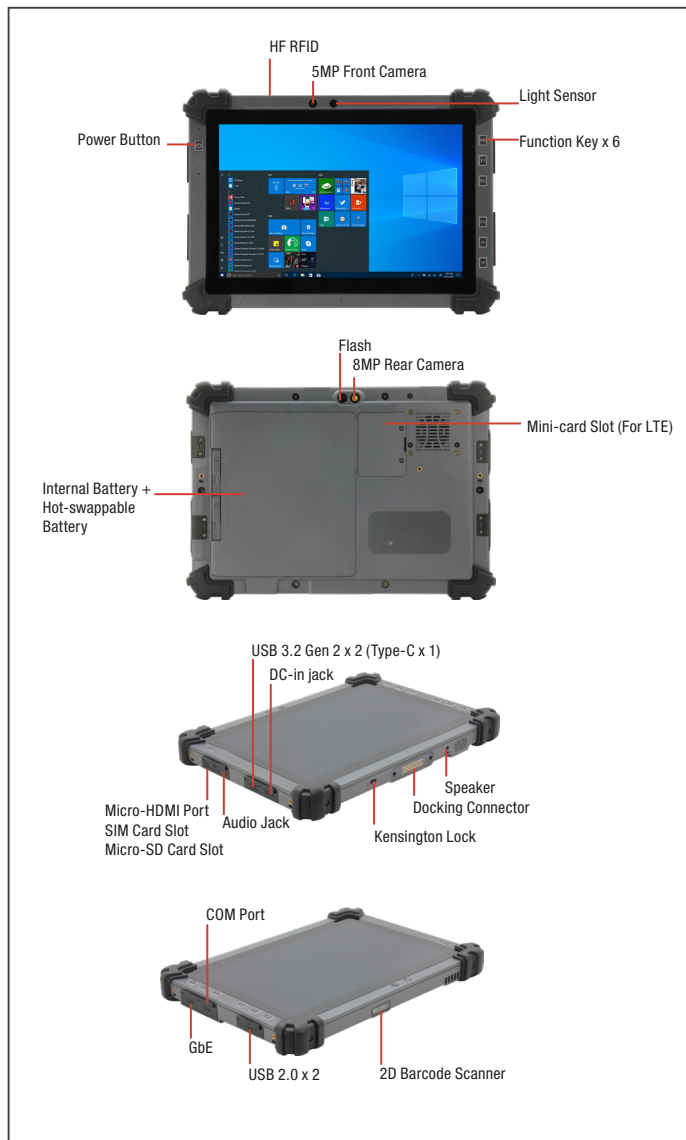
- **RDS-411-000**
Docking Station, W/O Stand
- **RDS-411-001**
Docking Station, W/ Stand
- **RBC-1200-000**
4-bay Battery Charger
- **RTC-1010-HS-000**
Hand Strap
- **RTC-1010-SB-000**
Shoulder Belt, 2 Points
- **RTC-1200BAT01-000**
Battery Pack, 14.4V, 2270mAh , 2 pcs/Box
- **RDS-411-DIC-000**
DC Input Cable, 2 Meters, For RDS-411
- **RTC-1010-DTDPA-002**
DC-To-DC Power Adaptor, 12V to 36V Input, 12V/3A Output, One End-DC Jack, One End-Two Flying
- **RTC-1010-DTDPA-001**
DC-To-DC Power Adaptor, 12V to 36V Input, 12V/3A Output, One End-DC Jack, One End-Cigarette Plug
- **170X000799**
Power Cord for US
- **170X000800**
Power Cord for EU
- **170203180J**
Power Cord for UK
- **170X000803**
Power Cord for Japan

Ordering Information

Part Number	CPU	OS	LCD Display	Touch Screen	System Memory	Storage	Expansion I/O	Sensor	WiFi/Bluetooth	Navigation	LTE Bands (MHz)	Camera	Docking Connector	2D Barcode Scanner	NFC	Battery	Power
RTC-1010RK-R0001	RK3399K	Android 11	10.1" 300 nits	PCT 10 points	LPDDR4 4GB	eMMC 64GB	Micro-HDMI port x 1 SIM card slot x 1 Micro-SD card slot x 1 Audio jack x 1 (3.5mm) USB 3.2 Gen 1 x 2 (USB Type-C x 1), USB 2.0 x 2 DC-in jack x 1 RS-232/422/485 COM Port x 1 10/100/1000 Base-T RJ45 x 1	G-sensor E-compass Gyro-sensor Light-sensor	802.11 b/g/n + BT5.0	GPS / Galileo / GLONASS	—	Front: 8MP Rear: 8MP w/ Flash	Yes	—	—	32.7W + 11.3W	DC12V
RTC-1010RK-R0002	RK3399K	Android 11	10.1" 300 nits	PCT 10 points	LPDDR4 4GB	eMMC 64GB	Micro-HDMI port x 1 SIM card slot x 1 Micro-SD card slot x 1 Audio jack x 1 (3.5mm) USB 3.2 Gen 1 x 2 (USB Type-C x 1), USB 2.0 x 2 DC-in jack x 1 RS-232/422/485 COM Port x 1 10/100/1000 Base-T RJ45 x 1	G-sensor E-compass Gyro-sensor Light-sensor	802.11 b/g/n + BT5.0	GPS / Galileo / GLONASS	—	Front: 8MP Rear: 8MP w/ Flash	Yes	Yes	Yes	32.7W + 11.3W	DC12V
RTC-1010RK-RH0001	RK3399K	Android 11	10.1" 800 nits	PCT 10 points	LPDDR4 4GB	eMMC 64GB	Micro-HDMI port x 1 SIM card slot x 1 Micro-SD card slot x 1 Audio jack x 1 (3.5mm) USB 3.2 Gen 1 x 2 (USB Type-C x 1), USB 2.0 x 2 DC-in jack x 1 RS-232/422/485 COM Port x 1 10/100/1000 Base-T RJ45 x 1	G-sensor E-compass Gyro-sensor Light-sensor	802.11 b/g/n + BT5.0	GPS / Galileo / GLONASS	—	Front: 8MP Rear: 8MP w/ Flash	Yes	—	—	32.7W + 11.3W	DC12V
RTC-1010RK-RH0002	RK3399K	Android 11	10.1" 800 nits	PCT 10 points	LPDDR4 4GB	eMMC 64GB	Micro-HDMI port x 1 SIM card slot x 1 Micro-SD card slot x 1 Audio jack x 1 (3.5mm) USB 3.2 Gen 1 x 2 (USB Type-C x 1), USB 2.0 x 2 DC-in jack x 1 RS-232/422/485 COM Port x 1	G-sensor E-compass Gyro-sensor Light-sensor	802.11 b/g/n + BT5.0	GPS / Galileo / GLONASS	—	Front: 8MP Rear: 8MP w/ Flash	Yes	Yes	Yes	32.7W + 11.3W	DC12V

RTC-1020

10.1" Rugged Tablet Featuring 11th Gen Intel® Core™/Celeron® Processors



Features

- 10.1" FHD (1920 x 1200) 450-nit/800-nit TFT LCD
- 11th Gen Intel® Core™/Celeron® Processors
- Onboard LPDDR4X, 8GB (Default)/16GB/32GB
- M.2 SSD, 64GB (Default)/128GB/256GB
- WiFi 802.11 a/b/g/n/ac, Bluetooth 5.1, LTE (Optional)
- 5MP Front and 8MP Rear Camera
- RS-232/422/485 + 10/100/1000 Base-T RJ45
- USB 3.2 Gen 2 x 2 (USB Type-C x 1), USB 2.0 x 2
- 2D Barcode Scanner (Optional)
- HF RFID (NFC) Reader (Optional)
- Up to 3 GNSS: GPS + Galileo (Default), GLONASS, BeiDou (Optional)
- Hot-Swappable Battery, 14.4V/ 2270mAh, 32.7W x 2 (51.1W x 2, Optional)
- MIL-STD-810H, IP65 Compliant, Drop 122cm
- Function Key: F0, F1, F2, F3, Volume Up/Down, with LED illumination
- Windows® 10 IoT/ Windows® 11 IoT (Optional)



HF RFID (Optional)	ISO 15693 (R/W), ISO 18092 (R/W), ISO 14443-A (R/W), ISO 14443-B (Only Read UID), Depend on card type
Audio	Speaker x 1
Physical Key	F0 or Windows (Windows Start Key), F1 (BCR Trigger Button (When BCR is enabled)), F2 (Screenprint), F3 (Ctrl+Alt+Del), Volume Up (Speaker Volume Up), Volume Down (Speaker Volume Down)
Mechanical	
Color	Black & Dark Grey
Dimension (W x H x D)	10.71" x 7.48" x 0.94" (272.0mm x 190.0mm x 24.0mm)
Gross Weight	3.3 lb. (1.5Kg) based on configurations
Environmental	
Operating Temperature	-4°F ~ 122°F (-20°C ~ 50°C)
Storage Temperature	-22°F ~ 158°F (-30°C ~ 70°C)
Humidity	0% ~ 90% relative humidity, non-condensing
Environmental Sealing	IP65
Vibration	MIL-STD-810H: 2019, 514.8 Procedure I, Table 514.8C-1 Category 4 common carrier
Drop	MIL-STD-810H: 2019, 516.8 Procedure I Drop height: 122cm Number of Drop: 26 times, for all surfaces, edges and corners Condition: Based on 2" plywood over concrete
Shock	MIL-STD-810H: 2019, 516.8 Procedure I
ESD	Air charge: +/- 8KV, Contact charge: +/- 4KV
Certifications and Standards	CE EMC, CE RED WiFi 2.4G+5G / LTE; LVD; FCC EMC, FCC RF WiFi 2.4G+5G; UKCA; TELEC WiFi
Power Supply	
AC / DC Adapter	AC 100 ~ 240 V, 50 ~ 60 Hz, Output: 19V/ 3.42A/ 65W
Battery Life	Li-ion Battery 6-hour battery life based on test configurations
Master Battery	Hot-swappable battery: 14.4V, 2270mAh, 32.7W 14.8V, 3450mAh, 51.1W (Optional)
Slave Battery	Hot-swappable battery: 14.4V, 2270mAh, 32.7W 14.8V, 3450mAh, 51.1W (Optional)
Display	
LCD	10.1" TFT-LCD Display
Resolution	1920 x 1200
Maximum Color	16.7M
Dot Size	—
Brightness	450 nits (800 nits, Optional)
Viewing Angle	Horizontal: 170° (Typical), Vertical: 170° (Typical)
Touch Screen	
Touch Type	Projected Capacitive Multi-Touch Screen (PCT)
Light Transmission	Min. 85%

Specifications

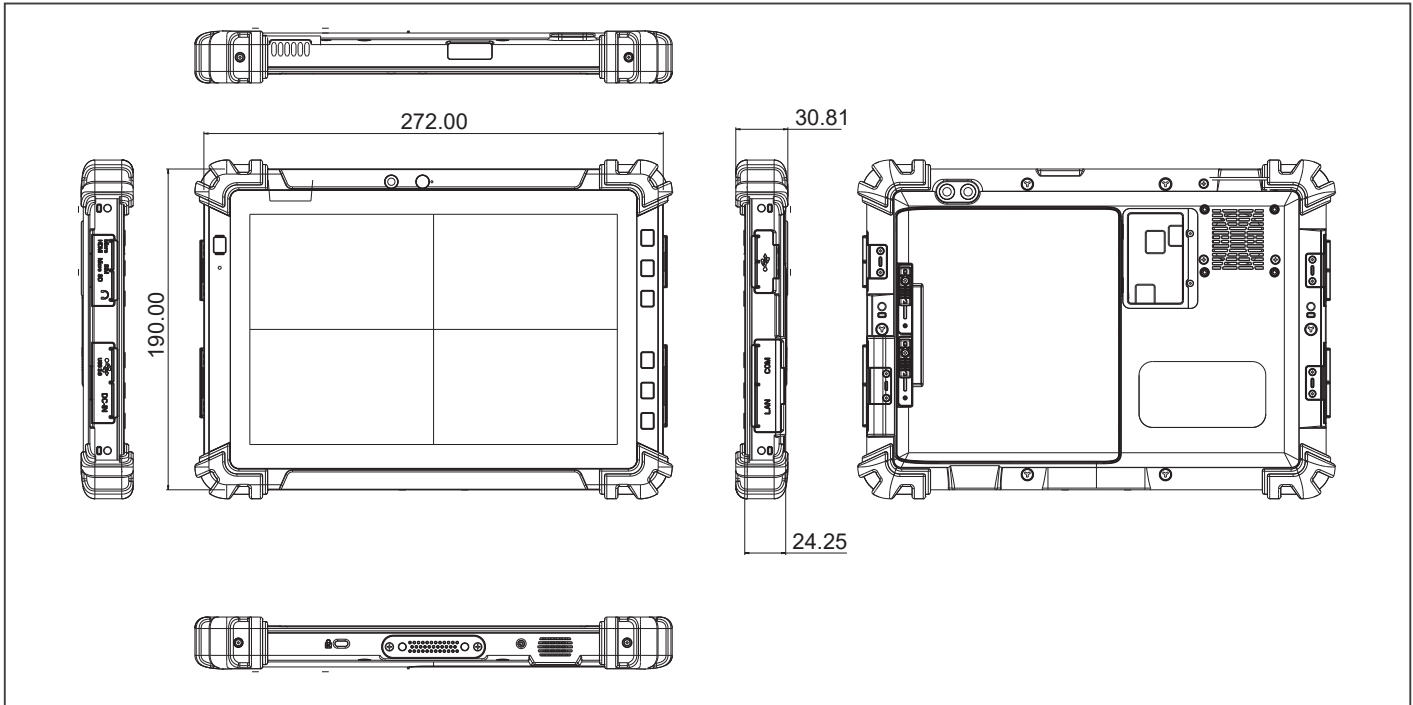
System Architecture	
Processor	11th Gen Intel® Core™/Celeron® Processor SoC Intel® Core™ i5-1145G7E Intel® Core™ i3-1115G4E Intel® Celeron® 6305E
Operating System	Windows® 10 IOT Enterprise SAC / Windows® 11 IOT Enterprise GAC (Optional)
Memory	Onboard LPDDR4X, 8GB (Default)/16GB/32GB
Storage	M.2 SSD, 64GB/128GB/256GB (Default: 64GB)
Display	10.1" FHD (1920 x 1200) 450 nit/800 nit TFT LCD with Projected Capacitive Multi Touch Screen
I/O Port	Micro-HDMI port x 1, SIM card slot x 1, Micro-SD card slot x 1, Audio jack x 1 (3.5mm), USB 3.2 Gen 2 x 2 (Type-C x 1, Type-A x 1), USB 2.0 x 2, DC-in Jack x 1, RS-232/422/485 COM port x 1, 10/100/1000 Base-T RJ45 x 1
Communication	Wi-Fi 802.11 a/b/g/n/ac Bluetooth v5.1 (EDR + BLE) Intel AC9260
Navigation	Up to 3 GNSS, GPS + Galileo (Default), GLONASS, BeiDou (Optional)
WWAN(optional)	LTE via M.2 slot (Optional)
Camera	5MP front camera, 8MP rear camera with flash
Sensor	G-sensor, E-compass, Gyro-sensor, Light-sensor
Expansion Slot	M.2 M-Key for SSD (PCIe [x4]/ SATA 6Gb/s) M.2 E-Key for WiFi/BT (PCIe [x1]/USB 2.0) M.2 B-Key for LTE (USB 2.0) Docking Connector: USB 3.2 Gen 2 x 1





Dimension

Unit: mm



Packing List

- RTC-1020
 - 125530065A
AC-To-DC Power Adaptor, 19V, 65W
- *Power cord must be purchased separately.

Optional Accessories

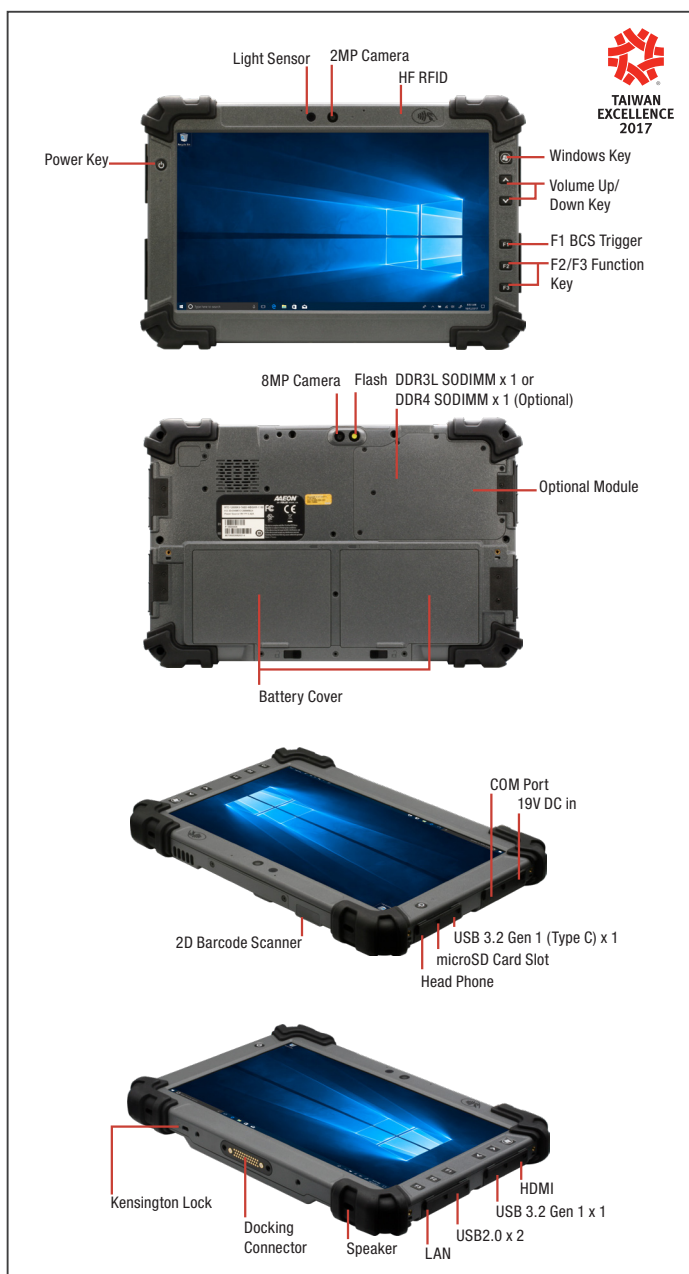
- RDS-1020-000
Docking Station, W/O Stand
- RDS-1020-001
Docking Station, W/ Stand
- RBC-1200-000
4-bay Battery Charger, for 32.7W battery pack
- RBC-1020-000
4-bay Battery Charger, for 51.1W battery pack
- RTC-1010-HS-000
Hand Strap
- RTC-1010-SB-000
Shoulder Belt, 2 Points
- RTC-1200BAT01-000
Battery Pack, 14.4V, 2,270mAh, 2 pcs/Box
- RTC-1020-BAT-000
Battery Pack, 14.8V, 3,450mAh, 2 pcs/Box
- RTC-1200-DTDP-A-000
DC-To-DC Power Adaptor, Flying Wires
- RTC-1200-DTDP-A-001
DC-To-DC Power Adaptor, Cigarette Plug
- 170X000674
Power Cord for US
- 170X000675
Power Cord for EU
- 170X000902
Power Cord for UK
- 170X000901
Power Cord for Japan

Ordering Information

Part Number	CPU	OS	LCD Display	Touch Screen	System Memory	Storage	Expansion I/O	Sensor	WiFi/Bluetooth	Navigation	LTE Bands (MHz)	Camera	2D Barcode Scanner	NFC	Battery	Power
RTC-1020-R0001	Intel® Celeron® 6305E	Windows 10 IOT	10.1" 450 nits	PCT 10 points	Onboard LPDDR4X 8GB	M.2 64GB	Micro-HDMI port x 1, SIM card slot x 1 Micro-SD card slot x 1, Audio jack x 1 USB 3.2 Gen 1 x 2 (USB Type-C x 1), USB 2.0 x 2, DC-in jack x 1 RS-232/422/485 COM Port x 1 10/100/1000 Base-T RJ45 x 1	G-sensor E-compass Gyro-sensor Light-sensor	WiFi 802.11 a/b/g/n/ac + BT5.1	GPS / Galileo / GLONASS	—	Front: 5MP Rear: 8MP w/ Flash	—	—	32.7W + 32.7W	DC19V
RTC-1020-RH0001	Intel® Celeron® 6305E	Windows 10 IOT	10.1" 850 nits	PCT 10 points	Onboard LPDDR4X 8GB	M.2 64GB	Micro-HDMI port x 1, SIM card slot x 1 Micro-SD card slot x 1, Audio jack x 1 USB 3.2 Gen 1 x 2 (USB Type-C x 1), USB 2.0 x 2, DC-in jack x 1 RS-232/422/485 COM Port x 1 10/100/1000 Base-T RJ45 x 1	G-sensor E-compass Gyro-sensor Light-sensor	WiFi 802.11 a/b/g/n/ac + BT5.1	GPS / Galileo / GLONASS	—	Front: 5MP Rear: 8MP w/ Flash	—	—	32.7W + 32.7W	DC19V
RTC-1020-RH0002	Intel® Core™ i3-1115G4E	Windows 10 IOT	10.1" 850 nits	PCT 10 points	Onboard LPDDR4X 8GB	M.2 64GB	Micro-HDMI port x 1, SIM card slot x 1 Micro-SD card slot x 1, Audio jack x 1 USB 3.2 Gen 1 x 2 (USB Type-C x 1), USB 2.0 x 2, DC-in jack x 1 RS-232/422/485 COM Port x 1 10/100/1000 Base-T RJ45 x 1	G-sensor E-compass Gyro-sensor Light-sensor	WiFi 802.11 a/b/g/n/ac + BT5.1	GPS / Galileo / GLONASS	—	Front: 5MP Rear: 8MP w/ Flash	—	Yes	32.7W + 32.7W	DC19V
RTC-1020-RH0003	Intel® Core™ i3-1115G4E	Windows 10 IOT	10.1" 850 nits	PCT 10 points	Onboard LPDDR4X 8GB	M.2 64GB	Micro-HDMI port x 1, SIM card slot x 1 Micro-SD card slot x 1, Audio jack x 1 USB 3.2 Gen 1 x 2 (USB Type-C x 1), USB 2.0 x 2, DC-in jack x 1 RS-232/422/485 COM Port x 1 10/100/1000 Base-T RJ45 x 1	G-sensor E-compass Gyro-sensor Light-sensor	WiFi 802.11 a/b/g/n/ac + BT5.1	GPS / Galileo / GLONASS	—	Front: 5MP Rear: 8MP w/ Flash	Yes	Yes	32.7W + 32.7W	DC19V
RTC-1020-RH0004	Intel® Core™ i5-1145G7E	Windows 10 IOT	10.1" 850 nits	PCT 10 points	Onboard LPDDR4X 8GB	M.2 64GB	Micro-HDMI port x 1, SIM card slot x 1 Micro-SD card slot x 1, Audio jack x 1 USB 3.2 Gen 1 x 2 (USB Type-C x 1), USB 2.0 x 2, DC-in jack x 1 RS-232/422/485 COM Port x 1	G-sensor E-compass Gyro-sensor Light-sensor	WiFi 802.11 a/b/g/n/ac + BT5.1	GPS / Galileo / GLONASS	—	Front: 5MP Rear: 8MP w/ Flash	—	Yes	32.7W + 32.7W	DC19V



11.6" Rugged Tablet Features Intel Kaby Lake Up To 3.9 GHz Dual Core Processor with Windows® 10



Features

- 11.6" FHD (1920 x 1080) 500-nit / 850-nit TFT LCD
- Intel® Core™ i 7100U / 7300U / Celeron® 3965U Up to 3.9 GHz
- One DDR4 SODIMM Socket, Up to 16GB
- One M.2 Slot for SSD, 64GB (Default) / 128GB / 256GB
- WiFi 802.11b/g/n, Bluetooth 5.1, LTE (Optional)
- 2MP Front and 8MP Rear Camera
- RS-232/422/485 COM Port + 10/100/1000 Base-T RJ45
- USB 3.2 Gen 1 x 2 (USB Type-C x 1), USB 2.0 x 2
- 2D Barcode Scanner / HF RFID (NFC) Reader (Optional)
- Hot-swappable Battery, 14.4V/ 2270mAh, 32.7W x 2
- MIL-STD-810G, IP65 Compliant, Drop 122cm
- Function Key: Windows, Volume Up/Down, F1, F2, F3, With LED Illumination
- Docking Connector with GNSS / WWAN Antenna Pass-through Connector
- Windows® 10 IOT



Barcode Scanner (Optional)	2D Barcode scanner, OPTICON MDI-4100-USB (Optional)
HF RFID (Optional)	ISO 15693 (R/W), ISO 18092 (R/W), ISO 14443-A (R/W), ISO 14443-B (Only Read UID), Depend on card type
Audio	Speaker x 1
Physical Key	F0 or Windows (Windows Start Key), F1 (Ctrl+Atl+Del & BCR Trigger Button (When BCR is enabled)), F2 (Touch Mode Switch), F3 (Screenprint), Volume Up (Speaker Volume Up), Volume Down (Speaker Volume Down)
Mechanical	
Color	Gray & Black
Dimension (W x H x D)	12.36" x 7.87" x 0.96" (310.4 mm x 200.0 mm x 24.5 mm)
Gross Weight	3.3 lbs (1.5 Kg)
Environmental	
Operating Temperature	-4°F ~ 140°F (-20°C ~ 60°C) Charging Temperature 50°F ~ 113°F (10°C ~ 45°C)
Storage Temperature	-22°F ~ 158°F (-30°C ~ 70°C)
Humidity	5% ~ 90% relative humidity, non-condensing
Environmental Sealing	IP65
Vibration	MIL-STD-810G-514.6 Procedure I Cat.24, Fig 514.6E-1 & 514.6E-2
Drop	MIL-STD-810G Method 516.6 Procedure IV -Height of Drop: 122cm (48 inch; 4ft) -Number of Drop: 26 times, for all surfaces, edges and corners Condition: Based on 2" plywood over concrete
Shock	—
ESD	Air charge: +/- 8KV, Contact charge: +/- 4KV
Certifications and Standards	CE/LVD: EN60950-1, CE EMC, CE RED WiFi 2.4G+5G / LTE; LVD / CB; FCC EMC, FCC RF WiFi 2.4G; IC / UKCA / UL
Power Supply	
AC / DC Adapter	AC 100 ~ 240 V, 50 ~ 60 Hz, Output: 19V/ 3.42A/ 65W
Battery Life	Li-ion Battery 6-hour battery life based on test configurations
Master Battery	Hot-swappable battery: 14.4V, 2270mAh, 32.7W
Slave Battery	Hot-swappable battery: 14.4V, 2270mAh, 32.7W
Display	
LCD	11.6" TFT-LCD Display
Resolution	1920 x 1080
Maximum Color	16.7M
Dot Size	0.117 (H) x 0.117 (V) mm
Brightness	500 nits (850 nits, Optional)
Viewing Angle	Horizontal: 178°, Vertical: 178° (Typical)
Touch Screen	
Touch Type	Projected Capacitive Multi-Touch Screen (PCT) Gloves / Finger mode Switchable by F2
Light Transmission	Min. 85% (ASTM D1003; Wavelength = 550 nm)

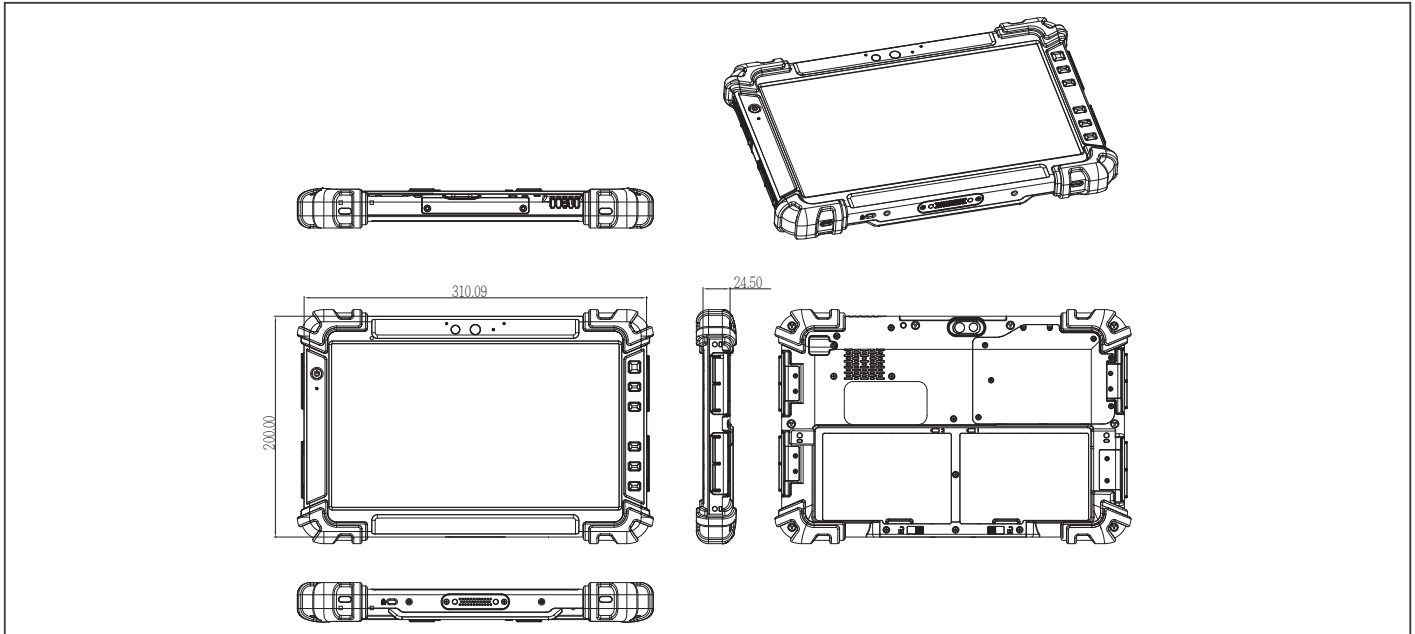
Specifications

System Architecture	
Processor	Intel® Core™ i 7100U / 7300U Dual Core up to 3.9GHz Intel® Celeron® 3965U Dual Core 2.2GHz Processor
Operating System	Windows® 10 IoT Enterprise 64bit (Default)
Memory	DDR4 SO-DIMM Socket x 1, up to 16GB
Storage	M.2 (NGFF) SSD, 64GB (Default) / 128GB / 256GB
Display	11.6" FHD (1920x1080) 500-nit / 850-nit TFT-LCD With Projected Capacitive Multi-Touch Screen
I/O Port	HDMI port x 1, SIM card slot x 1, Micro-SD card slot x 1 Audio jack x 1 (3.5mm), USB 3.2 Gen 1 x 2 (USB Type-C x 1), USB 2.0 x 2, DC-in Jack x 1, RS-232/422/485 COM Port x 1 10/100/1000 Base-T RJ45 x 1
Communication	Wi-Fi 802.11 b/g/n, Bluetooth v5.1
Navigation	GPS, GLONASS
WWAN(optional)	LTE via mini-card slot (Optional)
Camera	2MP front camera, 8MP auto-focus rear camera with flash
Sensor	G-sensor, E-compass, Gyro-sensor, Light-sensor Mini-card slot x 1 (For LTE module) Docking connector x 1



Dimension

Unit: mm



Packing List

- RTC-1200
- 125530065A
AC-To-DC Power Adaptor, 19V, 65W

*Power cord must be purchased separately.

Optional Accessories

- RDS-241V-0000 Docking Station, W/ Stand
- RDS-241V-0001 Docking Station, W/O Stand
- RBC-1200-000 4-bay Battery Charger
- RTC-1200HSP01-000 Rotating Hand-Strap
- RTC-1200BLT01-000 Shoulder Belt
- RTC-1200BAT01-000 Battery Pack, 14.4V, 2270mAh, 2 pcs/Box
- RTC-1200BKT01-000 Mounting Bracket (VESA/RAM)
- RTC-1200-STS01-000 Passive Stylus
- RTC-1200-STS02-000 Active Stylus
- RTC-1200-DTDPA-000 DC-To-DC Power Adaptor, Flying Wires
- RTC-1200-DTDPA-001 DC-To-DC Power Adaptor, Cigarette Plug
- 170X000674 Power Cord for US
- 170X000675 Power Cord for EU
- 170X000902 Power Cord for UK
- 170X000901 Power Cord for Japan

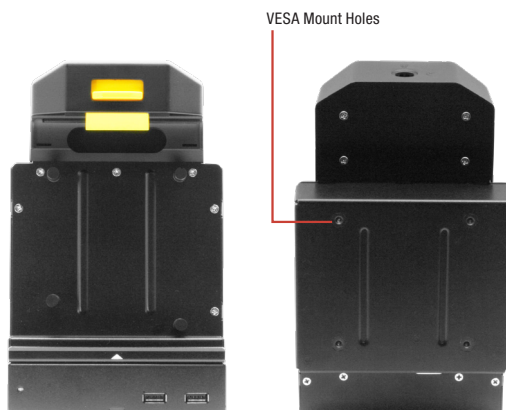
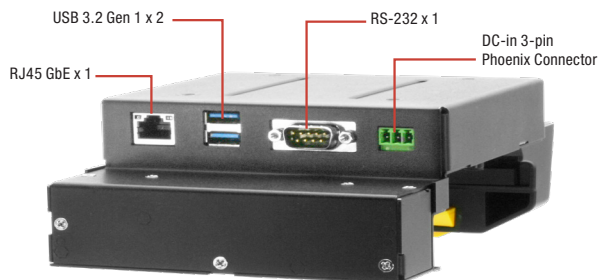
* Small quantity MOQ may apply for optional/customized services.

Ordering Information

Part Number	CPU	OS	LCD Display	Touch Screen	System Memory	Storage	Expansion I/O	Sensor	WiFi/Bluetooth	Navigation	LTE Bands (MHz)	Camera	2D Barcode Scanner	NFC	Battery	Power
RTC-1200-RH1011	Celeron 3965U	Windows 10 IOT	11.6" 850 nits	PCT 10 points	SODIMM DDR4 4GB	M.2 64GB	HDMI port x 1 SIM card slot x 1 Micro-SD card slot x 1 Audio jack x 1 USB 3.0 x 1, USB 2.0 x 2 DC-in jack x 1 RS-232/422/485 COM Port x 1 10/100/1000 Base-T RJ45 x 1	G-sensor E-compass Gyro-sensor Light-sensor	802.11 b/g/n + BT5.1	GPS / GLONASS	—	Front: 2MP Rear: 8MP w/ Flash	—	—	32.7W + 32.7W	DC19V
RTC-1200-RH1012	i3-7100U	Windows 10 IOT	11.6" 850 nits	PCT 10 points	SODIMM DDR4 4GB	M.2 64GB	HDMI port x 1 SIM card slot x 1 Micro-SD card slot x 1 Audio jack x 1 USB 3.0 x 1, USB 2.0 x 2 DC-in jack x 1 RS-232/422/485 COM Port x 1 10/100/1000 Base-T RJ45 x 1	G-sensor E-compass Gyro-sensor Light-sensor	802.11 b/g/n + BT5.1	GPS / GLONASS	—	Front: 2MP Rear: 8MP w/ Flash	—	Yes	32.7W + 32.7W	DC19V
RTC-1200-RH1013	i3-7100U	Windows 10 IOT	11.6" 850 nits	PCT 10 points	SODIMM DDR4 4GB	M.2 64GB	HDMI port x 1 SIM card slot x 1 Micro-SD card slot x 1 Audio jack x 1 USB 3.0 x 1, USB 2.0 x 2 DC-in jack x 1 RS-232/422/485 COM Port x 1 10/100/1000 Base-T RJ45 x 1	G-sensor E-compass Gyro-sensor Light-sensor	802.11 b/g/n + BT5.1	GPS / GLONASS	—	Front: 2MP Rear: 8MP w/ Flash	Yes	Yes	32.7W + 32.7W	DC19V
RTC-1200-RH1014	i5-7300U	Windows 10 IOT	11.6" 850 nits	PCT 10 points	SODIMM DDR4 4GB	M.2 64GB	HDMI port x 1 SIM card slot x 1 Micro-SD card slot x 1 Audio jack x 1 USB 3.0 x 1, USB 2.0 x 2 DC-in jack x 1 RS-232/422/485 COM Port x 1 10/100/1000 Base-T RJ45 x 1	G-sensor E-compass Gyro-sensor Light-sensor	802.11 b/g/n + BT5.1	GPS / GLONASS	—	Front: 2MP Rear: 8MP w/ Flash	—	Yes	32.7W + 32.7W	DC19V

RDS-0710

Rugged Docking Station for RTC-710RK, RTC-710AP



Features

- Apply on RTC-710RK, RTC-710AP
- Front-facing I/Os: USB 2.0 x 2
- Downward-facing I/Os for Easy Cable Management: USB 3.2 Gen 1 x 2, RS-232 x 1, RJ45 GbE x 1, DC-in Phoenix Connector x 1
- Wide Voltage Input: 9VDC ~ 36VDC
- Power Adaptor: AC Power Adaptor (Default)
- Anti-theft Lock with Key & VESA Mount Support (75x75)



Specifications

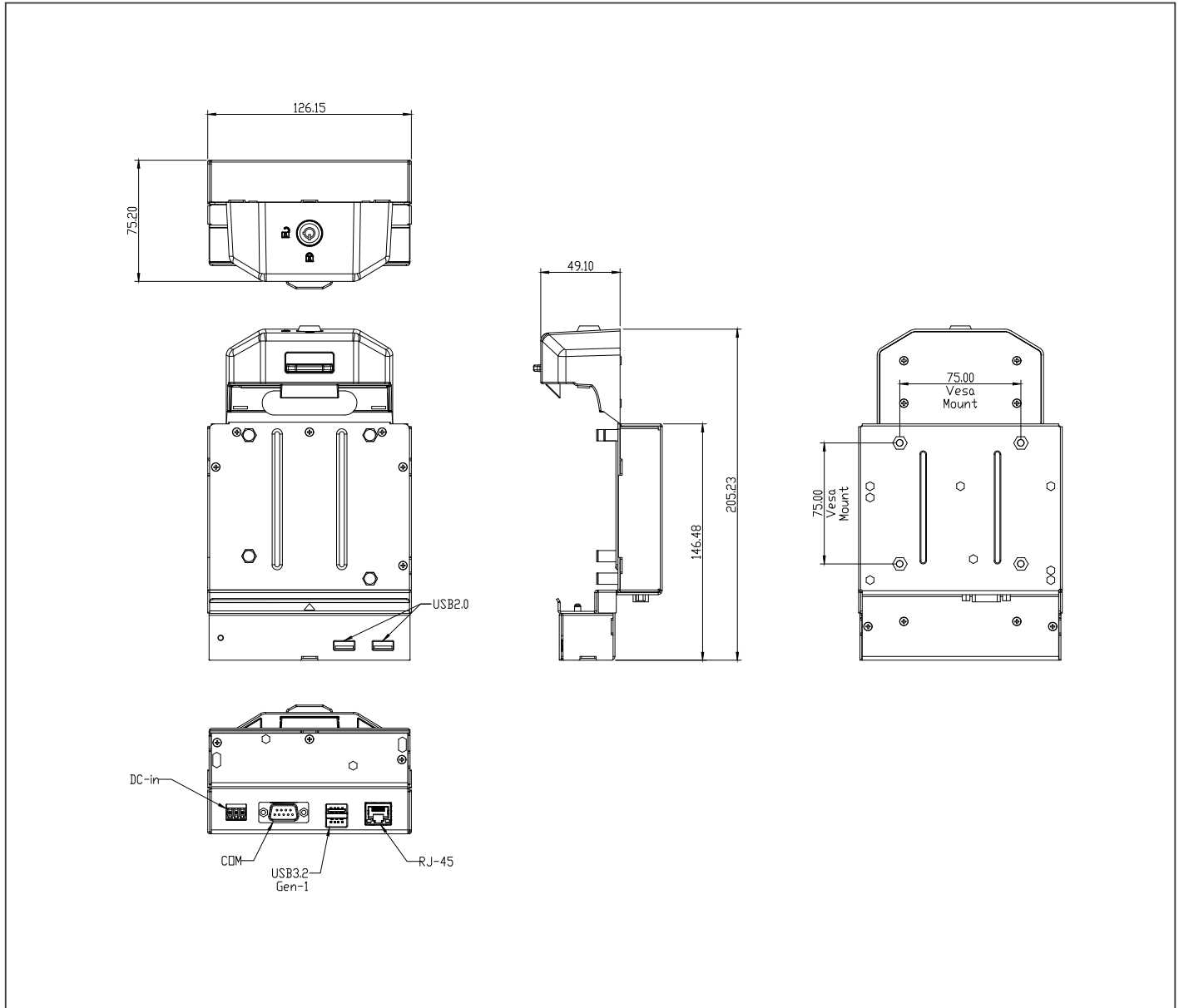
System	
I/O	Front-facing I/Os: USB 2.0 x 2 Downward-facing I/Os: USB 3.2 Gen 1 x 2 RS-232 x 1 RJ45 GbE x 1
DC Input	Phoenix connector: DINKLE ECH381H-03P Wide Voltage Input: DC 9V to 36V Mating connector: DINKLE EC381V-03P
LED Indicator	Orange: DC in w/o Tablet Blue: DC in w/ Tablet
Others	Anti-theft lock with key & VESA mount support (75x75)
Mechanical	
Color	Black
Construction	Metal
Dimensions (W x H x D)	8.07" x 4.96" x 2.96" (205mm x 126mm x 75mm)
Gross Weight	1.8 lb (0.82Kg)
Environmental	
Operating Temperature	-4°F ~ 140°F (-20°C ~ 60°C)
Storage Temperature	-22°F ~ 158°F (-30°C ~ 70°C)
ESD	Air charge: +/- 8KV Contact charge: +/- 4KV
EMC/ Safety	CE / FCC Class A
Power Supply	
AC/DC Adapter	AC 100V ~ 240V, 50Hz ~ 60Hz, Output: 12V/3.34A/40W DC connector: DINKLE EC381V-03P
DC/DC Adapter	—





Dimension

Unit: mm



Ordering Information

- **RDS-0710-000**
Docking Station.USBx4.RS-232.RJ45.DC Connector.9-36V Input
- **RDS-0710-001**
Docking Station.USBx4.RS-232.RJ45.DC Connector.9-36V Input.W/ Stand

Optional Accessories

- **RDS-411-DIC-000**
DC Input Cable, 2 Meters, One Side With Mating Connector: DINKLE EC381V-03P, One Side With Flying Wires

Packing List

- **RDS-0710**
 - **125530040D**
AC-To-DC Power Adaptor, 12V, 40W
- *Power cord must be purchased separately.



Features

- Apply on RTC-1010, RTC-1010M, RTC-1010RK
- Front-facing I/Os: USB 2.0 x 2 with Protection Cover
- Downward-facing I/Os for Easy Cable Management: USB 2.0 x 2, RS-232 x 1 (Two: Optional), RJ45 GbE x 1, DC-in Phoenix Connector x 1
- Wide Voltage Input: 9VDC ~ 36VDC
- Power Adaptor: AC Power Adaptor (Default)
- Anti-theft Lock with Key & VESA Mount Support



Specifications

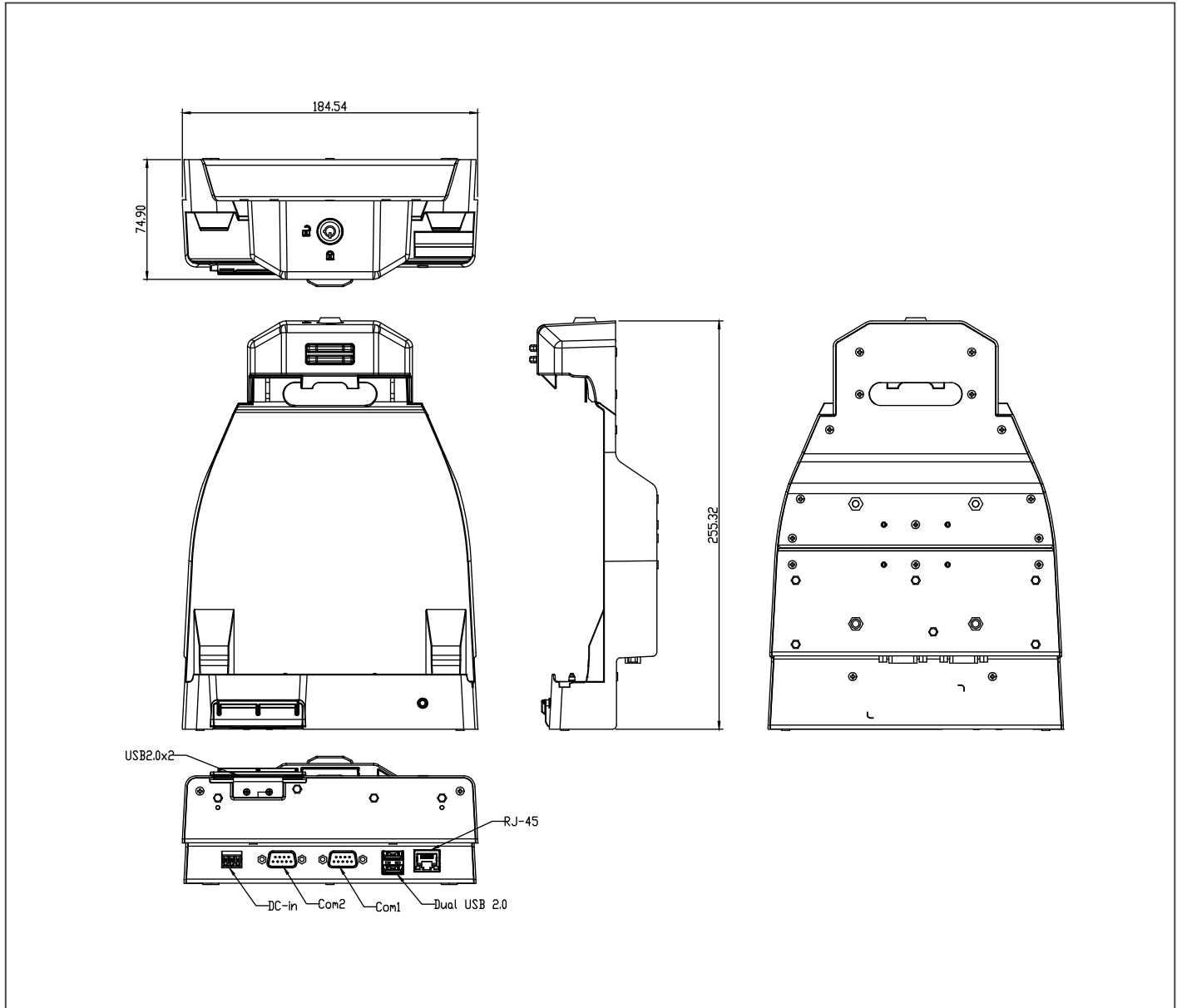
System	
I/O	Front-facing I/Os: USB 2.0 x 2 with protection cover Downward-facing I/Os: USB 2.0 x 2 RS-232 x 1 (Two: Optional) RJ45 GbE x 1
DC Input	Phoenix connector: DINKLE ECH381H-03P Wide Voltage Input: DC 9V to 36V Mating connector: DINKLE EC381V-03P
LED Indicator	Orange: DC in w/o Tablet Blue: DC in w/ Tablet
Others	Anti-theft lock with key & VESA mount support
Mechanical	
Color	Black
Construction	PC
Dimensions (W x H x D)	10.08" x 7.28" x 2.96" (256mm x 185mm x 75mm)
Gross Weight	6.17 lb (2.8 Kg)
Environmental	
Operating Temperature	32°F ~ 122°F (0°C ~ 50°C)
Storage Temperature	14°F ~ 140°F (-10°C ~ 60°C)
ESD	Air charge: +/- 8KV Contact charge: +/- 4KV
EMC/ Safety	CE / FCC Class A
Power Supply	
AC/DC Adapter	AC 100V ~ 240 V, 50Hz ~ 60Hz, Output: 12V/3.34A/40W DC connector: DINKLE EC381V-03P
DC/DC Adapter	—





Dimension

Unit: mm



Ordering Information

- **RDS-411-000**
Docking Station.USBx4.RS-232.RJ45.DC Connector.9-36V Input
- **RDS-411-001**
Docking Station.USBx4.RS-232.RJ45.DC Connector.9-36V Input.W/ Stand

Packing List

- **RDS-411**
- **125530040D**
AC-To-DC Power Adaptor, 12V, 40W

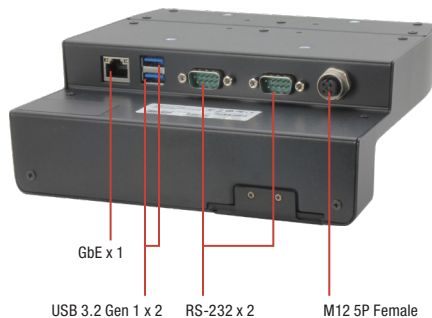
*Power cord must be purchased separately.

Optional Accessories

- **RDS-411-DIC-000**
DC Input Cable, 2 Meters, One Side With Mating Connector: DINKLE EC381V-03P, One Side With Flying Wires.

RDS-241V

Rugged Docking Station for RTC-1200



Features

- Apply on RTC-1200
- Front-facing I/O: USB 2.0 x 2 with Protection Cover
- Downward-facing I/Os for Easy Cable Management: USB 3.2 Gen 1 x 2, RS-232 x 2 (One with 5V in Pin 9 & the Other with GPIO x 8), RJ45 GbE x 1, M12 DC-in x 1
- Wide Voltage Input: 9VDC ~ 36VDC via M12-5P Female Connector
- Power Adaptor: AC Power Adaptor (Default)
- Anti-theft lock with Key & VESA Mount Support



Specifications

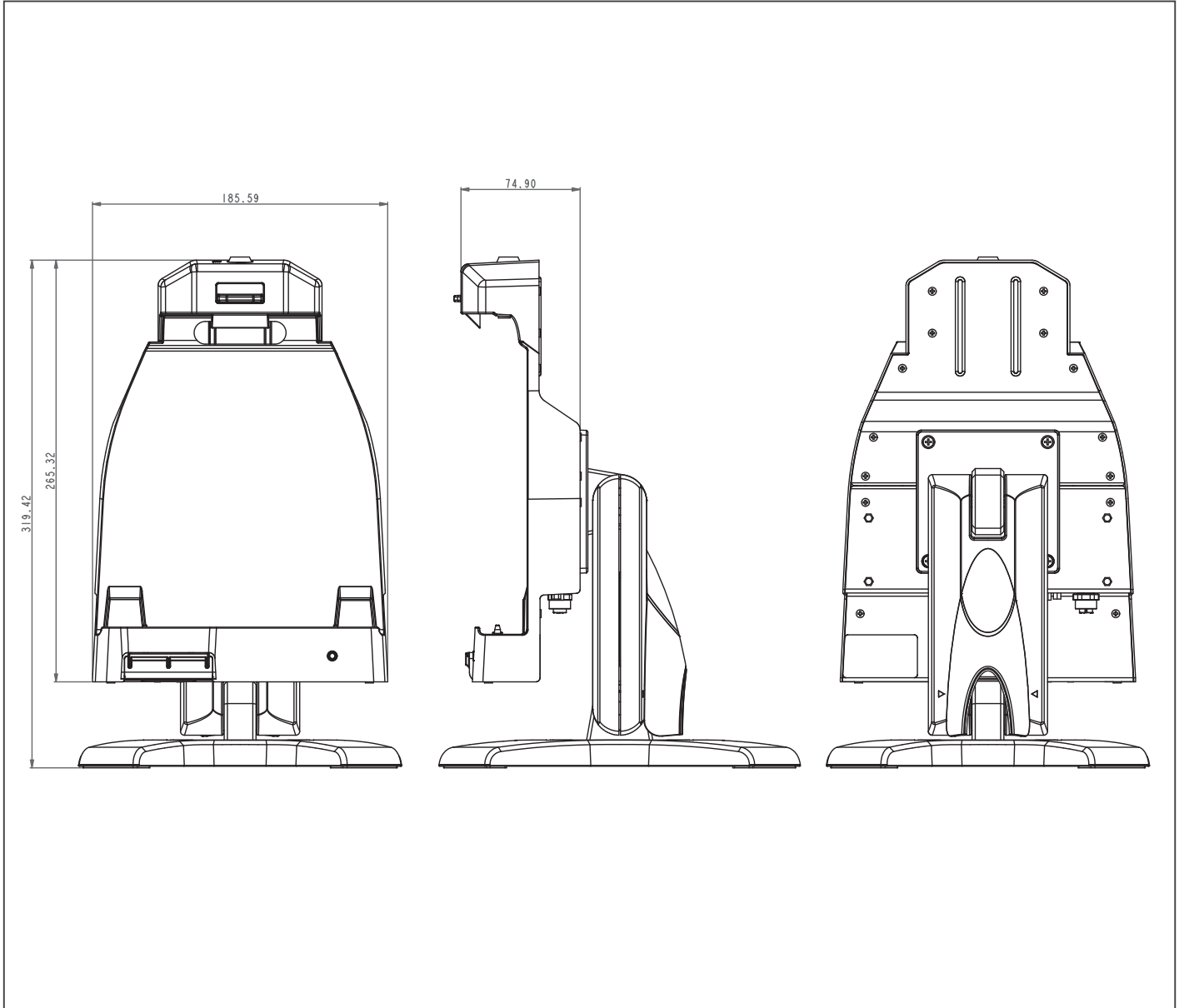
System	
I/O	Front-facing I/Os: USB 2.0 x 2 with protection cover Downward-facing I/Os: USB 3.2 Gen 1 x 2 RS-232 x 2 (One with 5V in Pin 9 & the Other with GPIO x 8) RJ45 GbE x 1 M12 DC-in x 1
DC Input	M12 5P Female (DC 9V to 36V)
LED Indicator	Orange: DC in w/o Tablet Blue: DC in w/ Tablet
Others	Anti-theft lock with key & VESA mount support
Mechanical	
Color	Black
Construction	PC
Dimension (W x H x D)	10.28" x 6.50" x 2.96" (261mm x 165mm x 75mm)
Gross Weight	6.44 lb (2.92 Kg)
Environmental	
Operating Temperature	32°F ~ 104°F (0°C ~ 40°C)
Storage Temperature	14°F ~ 122°F (-10°C ~ 50°C)
ESD	Air charge: +/- 8KV Contact charge: +/- 4KV
Certifications and Standards	CE/FCC Class A
Power Supply	
AC Adapter	AC 100V ~ 240V, 47Hz ~ 63Hz Output: 19V/4.74A/90W
DC Adaptor	—





Dimension

Unit: mm



Ordering Information

Part Number	Applied Models	Stand	Expansion I/O
RDS-241V-0000	For RTC-1200 Series w/ Stand	Yes	USB 2.0 x 2, USB 3.2 Gen 1 x 2, RS-232 x 2, LAN x 1, DC Connector
RDS-241V-0001	For RTC-1200 Series w/o Stand	No	USB 2.0 x 2, USB 3.2 Gen 1 x 2, RS-232 x 2, LAN x 1, DC Connector

Packing List

- RDS-241V
 - 1255300908
AC-To-DC Power Adaptor, 19V, 90W
- *Power cord must be purchased separately.

Optional Accessories

- 170X000674
Power cord for USA
- 170X000675
Power cord for Europe
- 170X000902
Power Cord for UK
- 170X000901
Power Cord for Japan

RDS-1020

Rugged Docking Station for RTC-1020



Features

- Suitable for RTC-1020
- Front-facing I/O: USB 2.0 x 2
- Downward-facing I/O for Easy Cable Management: USB 3.2 Gen 1 x 2, RS-232 x 1, GbE x 1, DC-in Phoenix Connector x 1
- Wide Voltage Input: 9VDC ~ 36VDC
- Power Adaptor: AC Power Adaptor (Default)
- Anti-Theft Lock with Key & VESA Mount Support (75x75)



Specifications

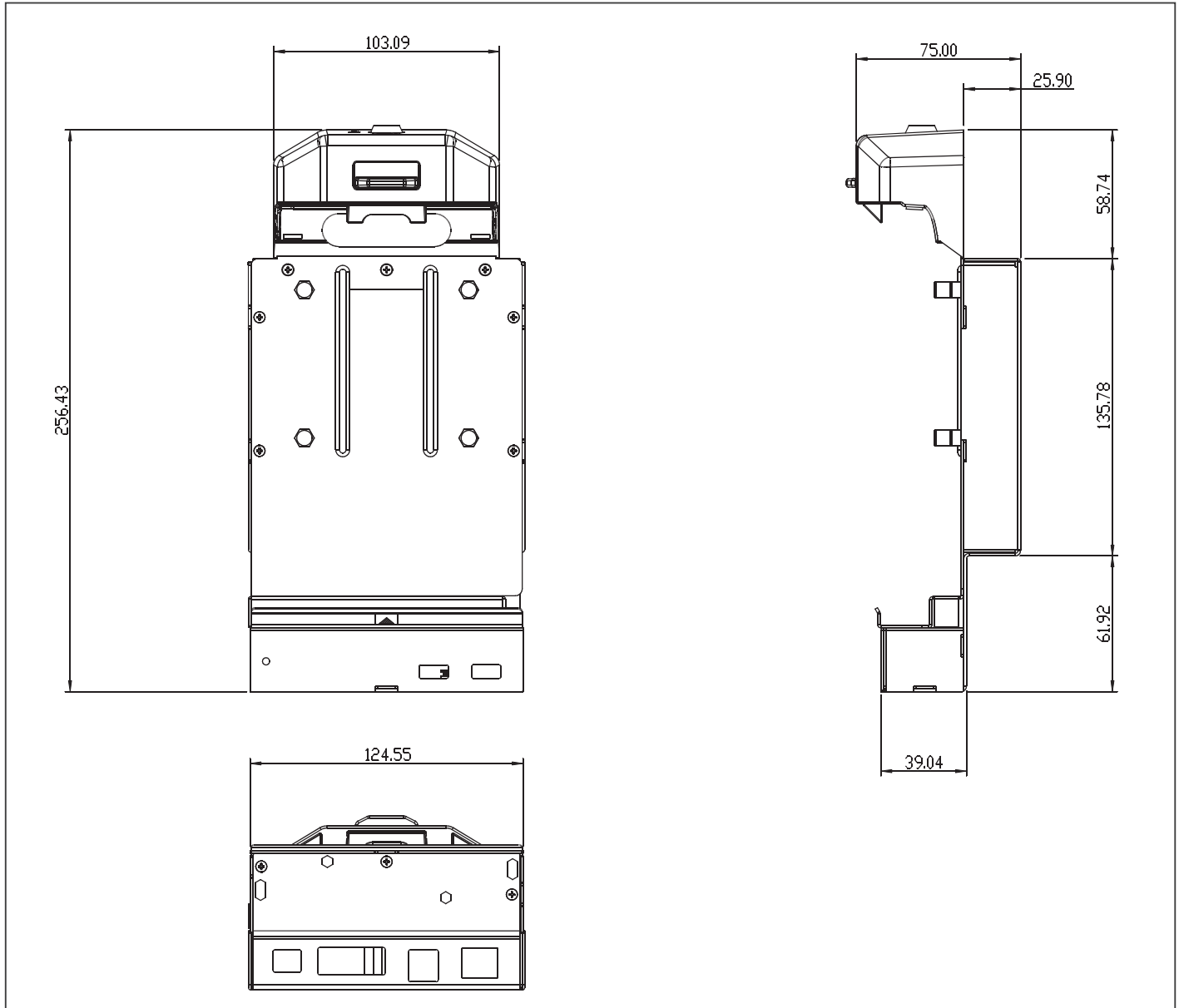
System	
I/O	Front-facing I/Os: USB 2.0 x 2 Downward-facing I/Os: USB 3.2 Gen 1 x 2 RS-232 x 1 RJ45 GbE x 1
DC Input	Phoenix connector: DINKLE ECH381H-03P Wide Voltage Input: DC 9V to 36V Mating connector: DINKLE EC381V-03P
LED Indicator	Orange: DC in w/o Tablet Blue: DC in w/ Tablet
Others	Anti-theft lock with key & VESA mount support (75x75)
Mechanical	
Color	Black
Construction	Metal
Dimension (W x H x D)	3.18" x 10.12" x 2.96" (125mm x 257mm x 75mm)
Gross Weight	2.2 lb. (1Kg)
Environmental	
Operating Temperature	0°C ~ 50°C (32°F ~ 122°F)
Storage Temperature	-10°C ~ 60°C (14°F ~ 140°F)
ESD	Air charge: +/- 8KV Contact charge: +/- 4KV
Certifications and Standards	CE / FCC Class B
Power Supply	
AC Adapter	AC 100 ~ 240 V, Output: 19V/ 6.32A/ 120W DC connector: 3P phoenix.3.81mm
DC Adaptor	N/A





Dimension

Unit: mm



Ordering Information

- **RDS-1020-000**
Docking Station,USBx4,RS-232,RJ45,DC Connector,9-36V Input
- **RDS-1020-001**
Docking Station,USBx4,RS-232,RJ45,DC Connector,9-36V Input,W/ Stand

Packing List

- **RDS-1020**
 - **1255X00079**
AC-To-DC Power Adaptor, 19V, 120W
- *Power cord must be purchased separately.

Optional Accessories

- **170203J000**
DC Input Cable, 2 Meters, One Side With Mating Connector: DINKLE EC381V-03P, One Side With Flying Wires

RTC-1010-HS-000

Hand Strap for RTC-1010, RTC-1010M, RTC-1010RK, RTC-1020



Specifications

Mechanical	
Color	Black
Dimensions (W x H x D)	9.13" x 3.62" x 1.18" (232mm x 92mm x 30mm)

Ordering Information

- **RTC-1010-HS-000**
Hand Strap

RTC-1010-SB-000

Shoulder Belt for RTC-1010, RTC-1010M, RTC-1010RK, RTC-1020



Specifications

Mechanical	
Color	Black
Dimensions (W x H x D)	41.34" x 2.56" x 0.20" (1050mm x 65mm x 5mm)

Ordering Information

- **RTC-1010-SB-000**
Shoulder Belt, 2 Points





RTC-1010-VMP-000

VESA Mount Plate for RTC-1010M



Specifications

Mechanical	
Color	Black
Dimensions (W x H x D)	10.85" x 7.55" x 0.98" (275.6mm x 191.7mm x 25mm)

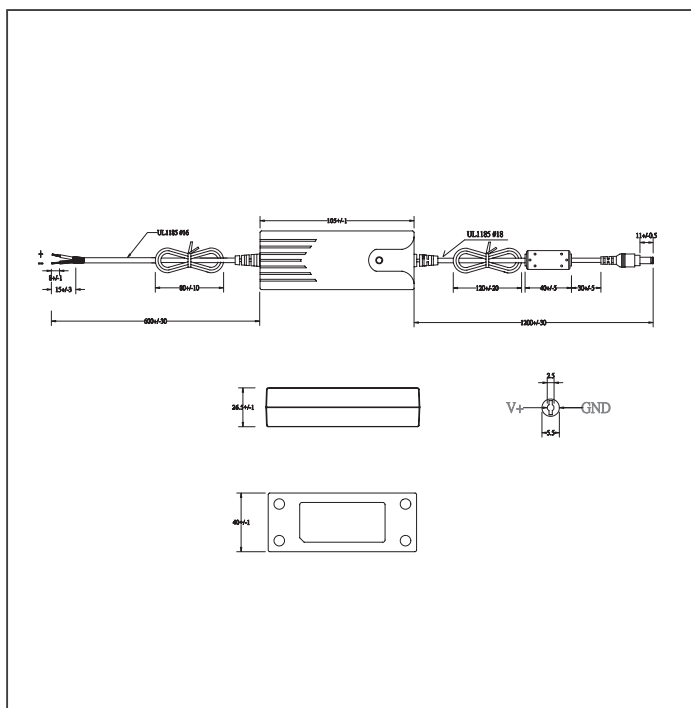
Ordering Information

- **RTC-1010-VMP-000**
VESA Mount Plate

* This item can be applied to RTC-1010 when the bumpers on the device are removed.

RTC-1010-DTDPA-002

DC-To-DC Power Adapter, Flying Wires for RTC-1010, RTC-1010M, RTC-1010RK



Specifications

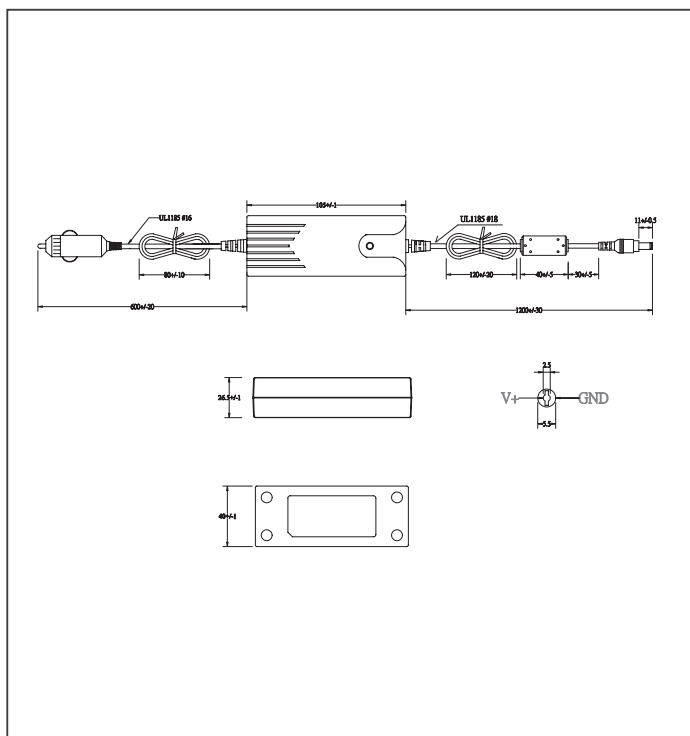
Mechanical	
Color	Black
Dimensions (W x H x D)	Adapter case: 1.57" x 4.13" x 1.04" (40mm x 105mm x 26.5mm) Plug side length: 47.24" ± 1.18" (1200mm ± 30mm) Flying Wires side length: 23.62" ± 1.18" (600mm ± 30mm) Total length: 75" ± 2.36" (1905mm ± 60mm)

Ordering Information

- **RTC-1010-DTDPA-002**
DC-To-DC Power Adapter, 12V to 36V Input, 12V/3A Output, One End-DC Jack, One End-Two Flying Wires

RTC-1010-DTDPA-001

DC-To-DC Power Adapter, Cigarette Plug for RTC-1010, RTC-1010M, RTC-1010RK



Specifications

Mechanical	
Color	Black
Dimensions (W x H x D)	1.57" x 4.13" x 1.04" (40mm x 105mm x 26.5mm) Plug side length: 47.24" ± 1.18" (1200mm ± 30mm) Cigarette Plug side length: 23.6" ± 1.9" (600mm ± 50mm) Total length: 75" ± 1.9" (1905mm ± 50mm)

Ordering Information

- **RTC-1010-DTDPA-001**
DC-To-DC Power Adapter, 12V to 36V Input, 12V/3A Output, One End-DC Jack, One End-Cigarette Plug

RTC-1200HSP01-000

Hand Strap for RTC-1200



Specifications

Mechanical	
Color	Black
Dimensions (W x H x D)	10.24" x 3.62" x 1.18" (260mm x 92mm x 30mm)

Ordering Information

- **RTC-1200HSP01-000**
Rotating Hand-Strap





RTC-1200BLT01-000

Shoulder Belt for RTC-1200

01

Rugged Tablet Computers : Accessories



Specifications

Mechanical	
Color	Black
Dimensions (W x H x D)	1050 x 65 x 5 mm

Ordering Information

- **RTC-1200BLT01-000**
Shoulder Belt, 2 Points

RTC-1200BLT02-000

Shoulder Belt for RTC-1200



Specifications

Mechanical	
Color	Black
Dimensions (W x H x D)	450 x 350 x 50 mm

Ordering Information

- **RTC-1200BLT02-000**
Shoulder Belt 4 Points

RTC-1200BKT01-000

VESA Mount Bracket for RTC-1200



Specifications

Mechanical	
Color	Black
Dimensions (W x H x D)	180 x 203.3 x 45.4 mm

Ordering Information

- **RTC-1200BKT01-000**
Mounting Bracket (VESA/RAM)

RTC-1010BKT-000

Bracket for RTC-1010, RTC-1010M, RTC-1010RK



Specifications

Mechanical	
Color	Black
Dimensions (W x H x D)	103.1 x 228.4 x 49 mm

Ordering Information

- **RTC-1010BKT-000**
Bracket for RTC-1010, RTC-1010M, RTC-1010RK



RBC-1200-000

4-bay Battery Charger for RTC-1010, RTC-1010M, RTC-1010RK, RTC-1020, RTC-1200



Specifications

Mechanical	
Color	Black
Dimensions (W x H x D)	5.5" x 2.6" x 4.7" (140.5mm x 68.4mm x 121.87mm)
Power Supply	
AC/DC Adapter	AC power input:100-240V, 50Hz-60Hz, 65W, DC power output: 19V/3.42A

Ordering Information

- **RBC-1200-000**
4-bay Battery Charger

RTC-1200BAT01-000

Battery Pack for RTC-1010, RTC-1010M, RTC-1200, RTC-1010RK, RTC-1020



Specifications

Mechanical	
Color	Black
Dimensions (W x H x D)	2.8" x 4.3" x 0.5" (71.5mm x 110mm x 13.3mm)
Capacity	
Capacity	14.4V, 2270mAh, 32.7W

Ordering Information

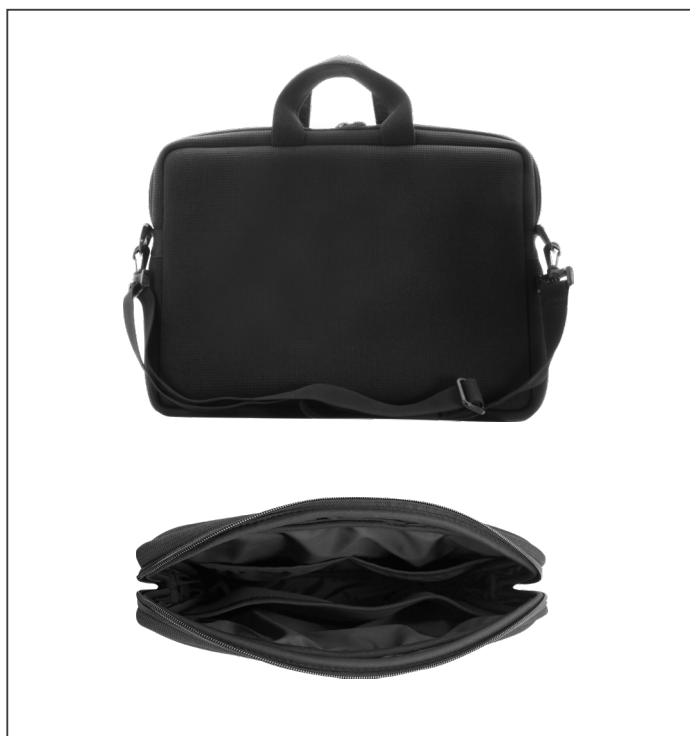
- **RTC-1200BAT01-000**
Battery Pack, 14.4V, 2270mAh, 2 pcs/Box

* This item can be shipped by air based on dangerous goods shipment with extra shipping charge.

RTC-1010-SBG-000



Shoulder Bag for RTC-1010, RTC-1020, RTC-1200, RTC-1010RK



Specifications

Mechanical	
Color	Black
Dimensions (W x H x D)	Bag: 330 x 245 x 50 mm
	Shoulder strap: Length: 710 mm (Min) ~ 1310 mm (Max)

Ordering Information

- **RTC-1010-SBG-000**
Shoulder Bag



ES France - Mobilité & Systèmes Embarqués
127 rue de Buzenval BP 26 - 92380 Garches



Tél. 01 47 95 99 80
Fax. 01 47 01 16 22



e-mail : mse@es-france.com
Site Web : www.es-france.com

02



ES France - Mobilité & Systèmes Embarqués
127 rue de Buzenval BP 26 - 92380 Garches



Tél. 01 47 95 99 80
Fax. 01 47 01 16 22



e-mail : mse@es-france.com
Site Web : www.es-france.com

02

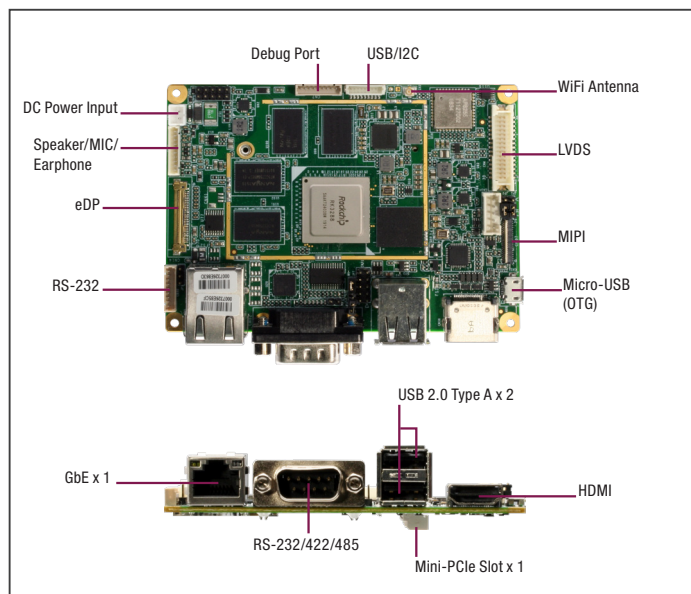
RISC Boards



RICO-3288



Pico-ITX Fanless Board with Rockchip ARM Cortex™-A17 Quad-core Processor



Features

- Rockchip RK3288
- Onboard DDR3L 2GB/4GB (Optional)
- Onboard eMMC 16GB and Micro-SD Card Slot
- HDMI (1.4), eDP, LVDS, MIPI
- WiFi 802.11 a/b/g/n/ac, BT V4.2, GPS (Optional), NFC (Optional)
- GbE: RJ45 x 1
- USB 2.0: Micro-USB OTG x 1, Type A x 2, Pin Header x 1
- RS-232/422/485 x 1, RS-232 x 1
- 8-bit GPIO, I2C, mPCIe Slot x 1
- +12V DC Input
- OS Support: Android 9.0 / Debian 10
- Small Board Size: 100mm x 72mm (PICO-ITX)



Specifications

System	
Form Factor	Pico-ITX (100mm x 72mm)
CPU	Rockchip RK3288 ARM Cortex™-A17 Quad-core 1.6 GHz
GPU	Mali-T764
Graphics	Video Decode: MPEG-1, MPEG-2, MPEG-4, H.263, H.264, AVS, VC-1, VP8, MVC Video Encode: H.264 (BP@level4.0, MP@level4.0, HP@level4.0), MVC and VP8
Memory Capacity	Onboard DDR3L 2GB/4GB (Optional)
Storage/SSD	16GB eMMC and Micro-SD card
Operating System	Android 9.0 / Debian 10
Kernel	Kernel 4.4
Watchdog Timer	Integrated
Power Requirement	+12V DC input, Optional 7.4V battery
Power Consumption (Typical)	0.6A@12V, full load, Quad-core CPU
Dimension	3.94" x 2.84" (100mm x 72mm)
Gross Weight	0.44 lb (0.2 Kg)
Operating Temperature	32°F ~ 140°F (0°C ~ 60°C) (-20°C ~ 60°C: Optional)
Storage Temperature	-40°F ~ 176°F (-40°C ~ 80°C)
Operating Humidity	0% ~ 90% relative humidity, non-condensing
MTBF (Hours)	80,000
Certification	CE/FCC
Display	
HDMI	HDMI (1.4) up to 4K x 2K @60Hz
eDP	Up to 2560 x 1440 @60Hz
LVDS	Support 18/24-bit up to 1920 x 1080 @60Hz
MIPI	Up to 2560 x 1440 @60Hz
RF Function	
WiFi	802.11 a/b/g/n/ac
BT	Bluetooth V4.2 + EDR
I/O	
Ethernet	GbE x 1
USB Port	Micro-USB OTG x 1 USB 2.0 Type A x 2 USB2.0 Pin header x 1 (Integrated)
Serial Port	RS-232/422/485 x 1 RS-232 Pin header x 1 Debug port pin header x 1
Audio	2.5W (by 4Ω) Speaker/ Microphone/ Earphone
GPIO	8-bit (4-in, 4-out)
Expansion Slot	Full-size mini-PCle slot x 1 (For 3G/4G card)
SIM Slot	Nano-SIM
SD Socket	Support Micro-SD card
Camera	—

Packing List

- RICO-3288
- MB Power Cable
- RTC Battery

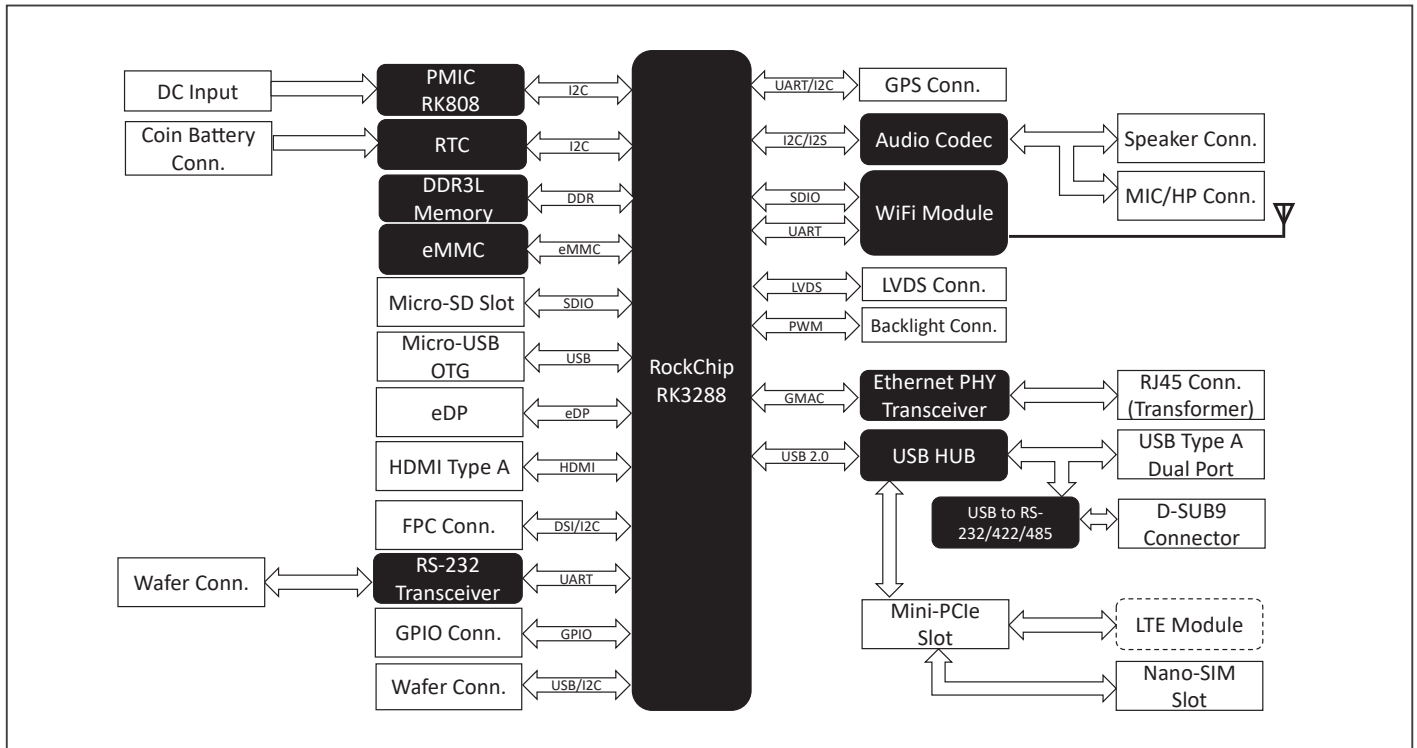
Optional Accessories

Part Number	Description	Qty.
1701090150	COM Cable, Length 15cm	1
125530060Y	12V/60W Power Adapter	1

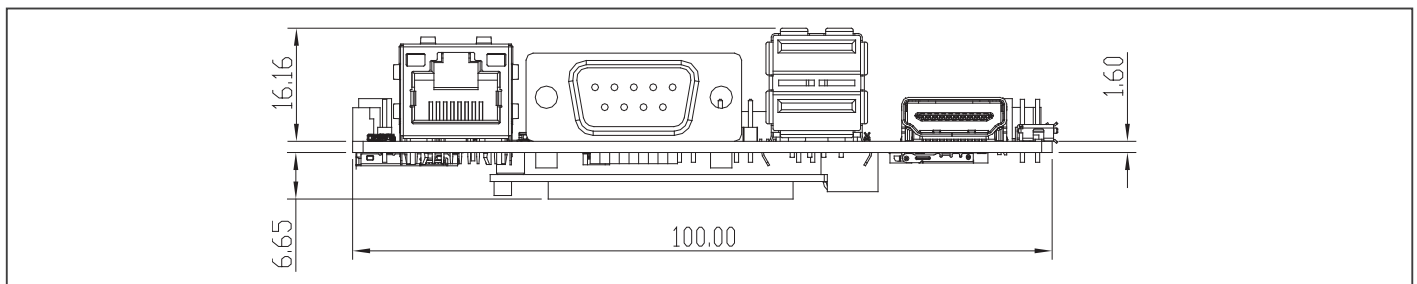




Block Diagram Unit: mm



Dimension Unit: mm



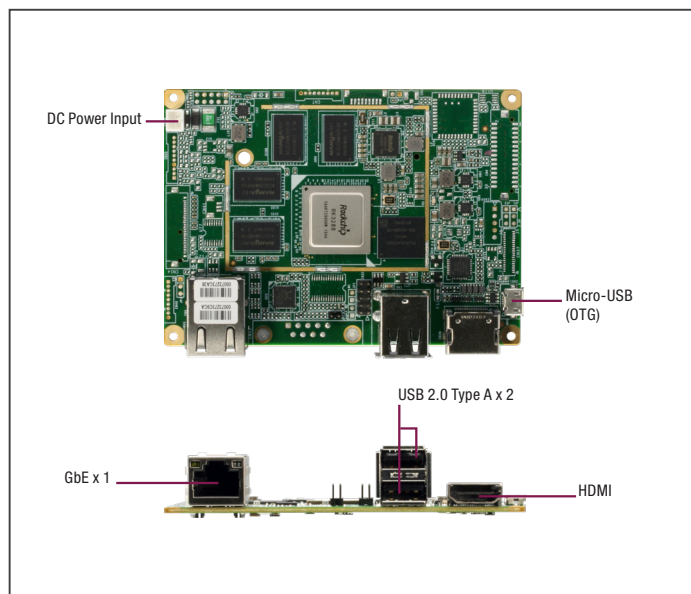
Ordering Information

Part Number	CPU	OS	RAM	Storage	LAN	RS-232	USB	Display	WiFi & BT	3G/LTE Slot
RICO-3288-A11-0001	ARM Cortex-A17 1.6GHz	Android™ 9.0	2GB DDR3L	16GB eMMC	GbE x 1	1 (RS-232) 1 (RS-232/422/485)	4	1 (HDMI) 1 (eDP) 1 (LVDS) 1 (MIPI)	802.11 a/b/g/n/ac BT 4.2 + EDR	1 (mPCle Slot)
RICO-3288-A11-0002 (MOQ: 50)	ARM Cortex-A17 1.6GHz	Android™ 9.0	4GB DDR3L	16GB eMMC	GbE x 1	1 (RS-232) 1 (RS-232/422/485)	4	1 (HDMI) 1 (eDP) 1 (LVDS) 1 (MIPI)	802.11 a/b/g/n/ac BT 4.2 + EDR	1 (mPCle Slot)
RICO-3288W1-A11-0001 (-20°C~60°C)	ARM Cortex-A17 1.6GHz	Android™ 9.0	2 GB DDR3L	16GB eMMC	GbE x 1	1 (RS-232) 1 (RS-232/422/485)	4	1 (HDMI) 1 (eDP) 1 (LVDS) 1 (MIPI)	802.11 a/b/g/n/ac BT 4.2 + EDR	1 (mPCle Slot)

RICO-3288MINI



Pico-ITX Fanless Board with Rockchip ARM Cortex™-A17 Quad-core Processor



Features

- Rockchip RK3288
- Onboard DDR3L 2GB
- Onboard eMMC 16GB
- HDMI (1.4): Up to 4K x 2K @ 60Hz
- GbE: RJ45 x 1
- USB 2.0: Micro-USB OTG x 1, Type A x 2
- 8-bit GPIO
- +12V DC Input
- OS Support: Android 9.0 / Debian 9.0
- Small Board Size: 100mm x 72mm (PICO-ITX)



Specifications

System	
Form Factor	Pico-ITX (100mm x 72mm)
CPU	Rockchip RK3288 ARM Cortex™-A17 Quad-core 1.6 GHz
GPU	Mali-T764
Graphics	Video Decode: MPEG-1, MPEG-2, MPEG-4, H.263, H.264, AVS, VC-1, VP8, MVC Video Encode: H.264 (BP@level4.0, MP@level4.0, HP@level4.0), MVC and VP8
Memory Capacity	Onboard DDR3L 2GB
Storage/SSD	16GB eMMC
Operating System	Android 9.0 / Debian 9.0
Kernel	Kernal 4.4
Watchdog Timer	Integrated
Power Requirement	+12V DC input
Power Consumption (Typical)	0.6A@12V, full load, Quad-core CPU
Dimension	3.94" x 2.84" (100mm x 72mm)
Gross Weight	0.22 lb (0.1 Kg)
Operating Temperature	32°F ~ 140°F (0°C ~ 60°C)
Storage Temperature	-40°F ~ 176°F (-40°C ~ 80°C)
Operating Humidity	0% ~ 90% relative humidity, non-condensing
MTBF (Hours)	80,000
Certification	CE/FCC
Display	
HDMI	HDMI (1.4) up to 4K x 2K @60Hz
eDP	—
LVDS	—
MIPI	—
RF Function	
WiFi	—
BT	—
I/O	
Ethernet	GbE x 1
USB Port	Micro-USB OTG x 1 USB 2.0 Type A x 2
Serial Port	—
Audio	—
GPIO	8-bit (4-in, 4-out)
Expansion Slot	—
SIM Slot	—
SD Socket	—
Camera	—

Packing List

- RICO-3288MINI
- MB Power Cable
- RTC Battery

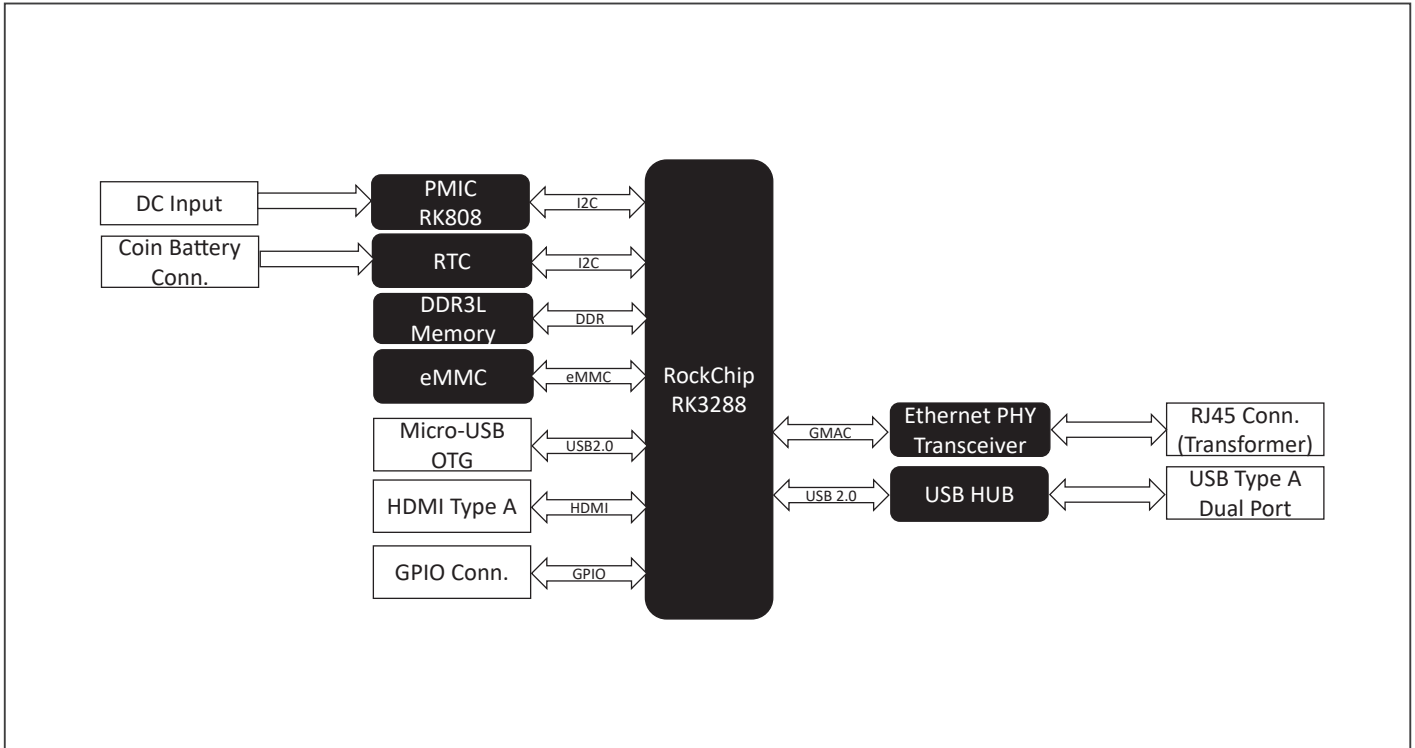
Optional Accessories

Part Number	Description	Qty.
125530060Y	12V/60W Power Adapter	1

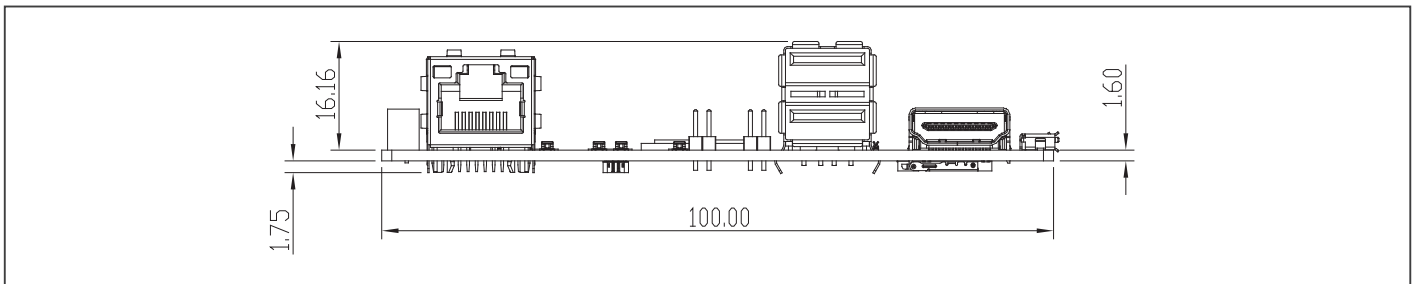




Block Diagram Unit: mm



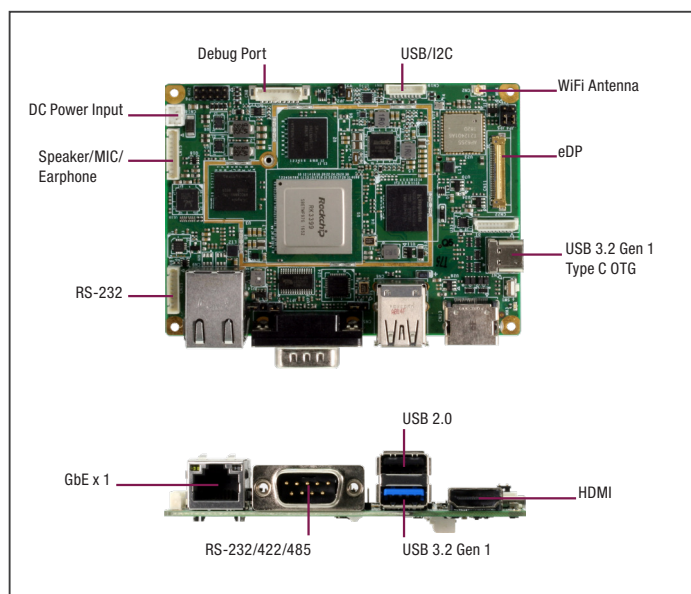
Dimension Unit: mm



Ordering Information

Part Number	CPU	OS	RAM	Storage	LAN	RS-232/422/485	USB	Display	WiFi & BT	3G/LTE Slot
RICO-3288MINI-A11-0001	ARM Cortex-A17 1.6GHz	Android 9.0	2GB DDR3L	16GB eMMC	GbE x 1	—	3	1 (HDMI)	—	—

Pico-ITX Fanless Board with Rockchip ARM Cortex-A72 Dual-core and Cortex-A53 Quad-core Processor



Features

- Rockchip RK3399
- Onboard LPDDR3 2GB/4GB (Optional)
- Onboard eMMC 16GB and Micro-SD Card Slot
- HDMI (2.0), eDP
- WiFi 802.11 a/b/g/n/ac, BT V4.2, GPS (Optional), NFC (Optional)
- GbE: RJ45 x 1
- USB 3.2 Gen 1: OTG x 1, Type A x 1
- USB 2.0: Type A x 1, Pin Header x 1
- RS-232/422/485 x 1, RS-232 x 1
- 8-bit GPIO, I2C, mPCIe Slot x 1
- +12V DC Input
- OS Support: Android 8.1 / Debian 10
- Small Board Size: 100mm x 72mm (PICO-ITX)



Specifications

System	
Form Factor	Pico-ITX
CPU	Rockchip RK3399 Cortex™-A72 Dual-core 1.8GHz and Cortex™-A53 Quad-core 1.4GHz
GPU	Mali-T864
Graphics	Video Decode: MPEG-1, MPEG-2, MPEG-4, H.263, H.264, H.265, VC-1, VP8, VP9, MVC Video Encode: H.264 UP to HP@level4.1, MVC and VP8
Memory Capacity	Onboard LPDDR3 2GB/4GB (Optional)
Storage/SSD	16GB eMMC and Micro-SD card
Operating System	Android 8.1 / Debian 10
Kernel	Kernel 4.4
Watchdog Timer	Integrated
Power Requirement	+12V DC input
Power Consumption (Typical)	0.6A@12V, full load, Hexa-core CPU
Dimension	3.94" x 2.84" (100 mm x 72 mm)
Gross Weight	0.44 lb (0.2 Kg)
Operating Temperature	32°F ~ 140°F (0°C ~ 60°C)
Storage Temperature	-40°F ~ 176°F (-40°C ~ 80°C)
Operating Humidity	0% ~ 90% relative humidity, non-condensing
MTBF (Hours)	80,000
Certification	CE/FCC
Display	
HDMI	HDMI (2.0) up to 4K x 2K @60Hz
eDP	Up to 4K x 2K @60Hz
LVDS	—
MIPI	—
RF Function	
WiFi	802.11 a/b/g/n/ac
BT	Bluetooth V4.2 + EDR

I/O	
Ethernet	GbE x 1
USB Port	USB 3.2 Gen 1 Type C OTG x 1 USB 3.2 Gen 1 (Bottom)/USB 2.0 (Top) dual port x 1 USB 2.0 Pin Header x 1 (Integrated)
Serial Port	RS-232/422/485 x 1 RS-232 Pin header x 1 Debug port pin header x 1
Audio	2.5W (by 4Ω) Speaker/ Microphone/ Earphone
GPIO	8-bit (4-in, 4-out)
Expansion Slot	Full-size mini-PCIe slot x 1 (For 3G/4G card)
SIM Slot	Nano-SIM
SD Socket	Support Micro-SD card
Camera	—

Packing List

- RICO-3399
- MB Power Cable
- RTC Battery

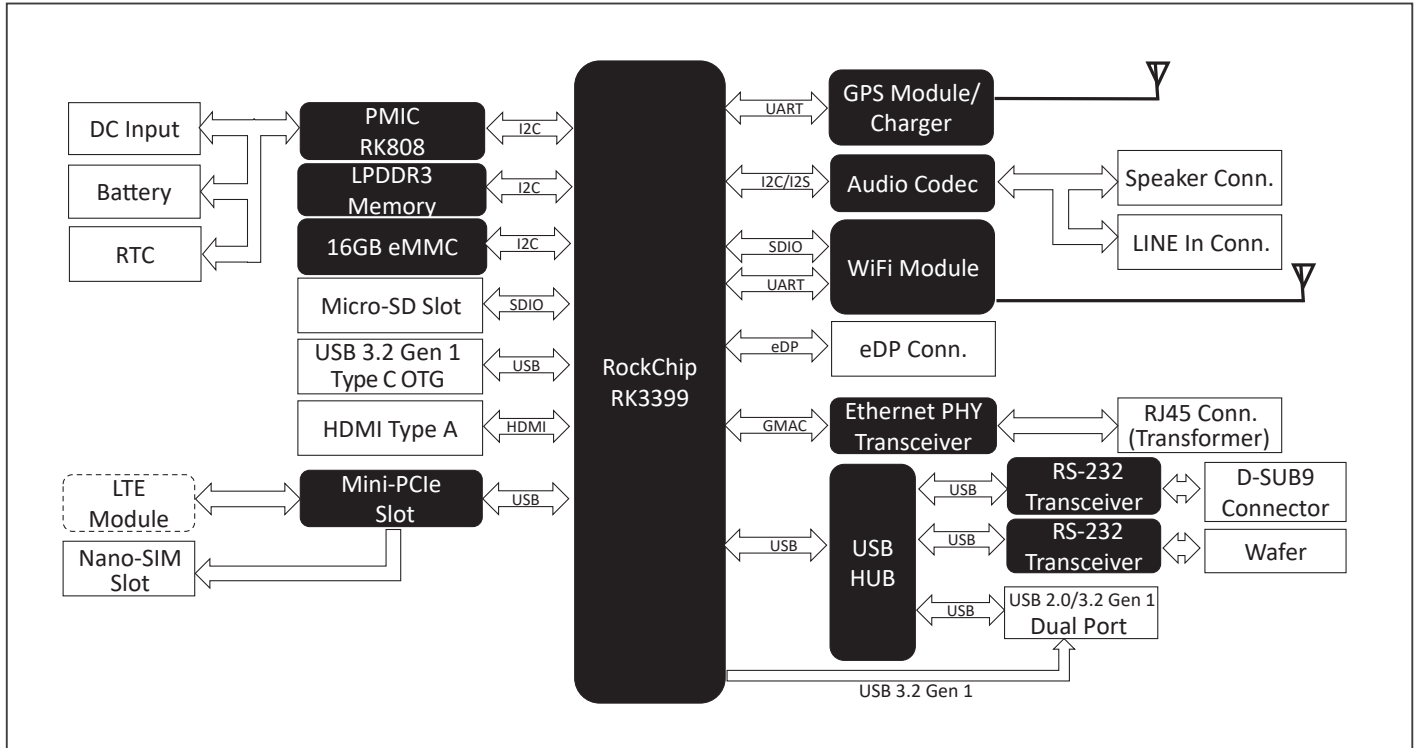
Optional Accessories

Part Number	Description	Qty.
1701090150	COM Cable, Length 15cm	1
125530060Y	12V 60W Power Adapter	1

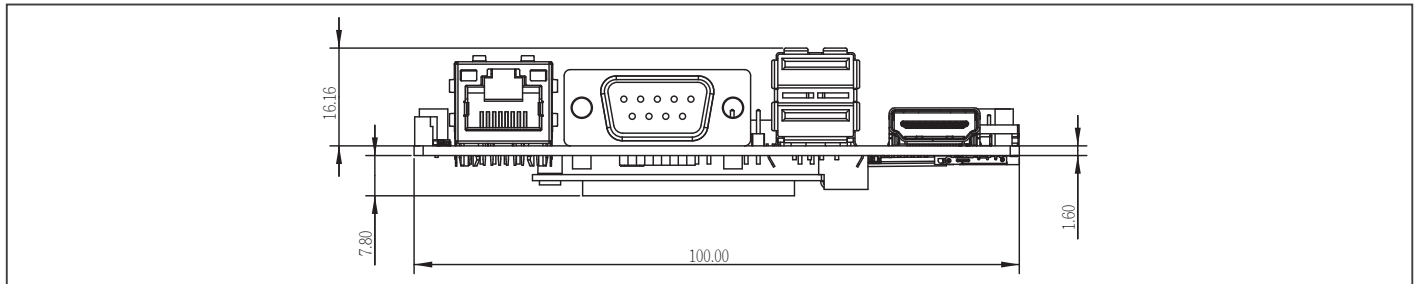




Block Diagram Unit: mm



Dimension Unit: mm

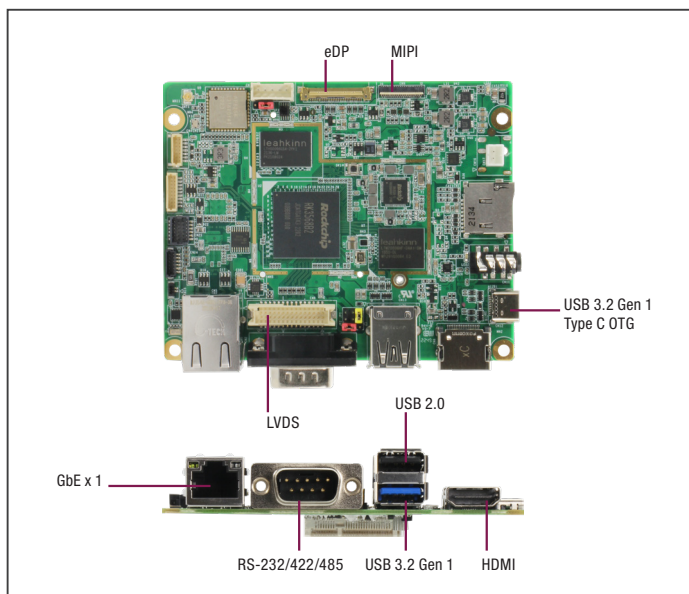


Ordering Information

Part Number	CPU	OS	RAM	Storage	LAN	RS-232	USB	Display	WiFi & BT	3G/LTE Slot
RICO-3399-A10-0001	ARM Dual Cortex-A72 + Quad Cortex-A53	Android 8.1	2GB LPDDR3	16GB eMMC	GbE x 1	1 (RS-232) 1 (RS-232/422/485)	4	1 (HDMI) 1 (eDP)	802.11 a/b/g/n/ac BT 4.2 + EDR	1 (mPCIe Slot)
RICO-3399-A10-0002	ARM Dual Cortex-A72 + Quad Cortex-A53	Android 8.1	2GB LPDDR3	16GB eMMC	GbE x 1	1 (RS-232) 1 (RS-232/422/485)	4	1 (HDMI)	—	—
RICO-3399-A10-0003 (MOQ: 50)	ARM Dual Cortex-A72 + Quad Cortex-A53	Android 8.1	4GB LPDDR3	16GB eMMC	GbE x 1	1 (RS-232) 1 (RS-232/422/485)	4	1 (HDMI) 1 (eDP)	802.11 a/b/g/n/ac BT 4.2 + EDR	1 (mPCIe Slot)

RICO-3568

Pico-ITX Fanless Board with Rockchip RK3568 Quad-Core Arm® Cortex®-A55 Processor



Features

- Rockchip RK3568
- NPU: 0.8 TOPS
- Onboard LPDDR4 2GB/4GB/8GB (Optional)
- Onboard eMMC 16GB and Micro-SD Card Slot
- HDMI 2.0, eDP 1.3, LVDS, MIPI
- Wi-Fi 802.11 a/b/g/n/ac, BT V5.0
- GbE x 2 (One located in Daughter board)
- USB 3.2 Gen 1: Type-C OTG x 1, Type A x 1
- USB 2.0: Type-A x 1, Pin Header x 1
- RS-232/422/485 x 1, RS-232 x 1, Debug Port x 1
- 8-bit GPIO, I2C, mPCIe Slot x 1 (mSATA/USB)
- +12V DC Input
- 12V-24V Input, PoE, CAN Bus x 1, USB 2.0 x 2 via Daughter board, PER-T650
- OS Support: Android™ 12/Debian® 10
- Small Board Size: 100mm x 80mm

Specifications



System	
Form Factor	Pico-ITX Plus (100mm x 80mm)
CPU	Rockchip RK3568 Quad-Core Arm® Cortex®-A55 Processor NPU: 0.8 TOPS
GPU	Arm® Mali™-G52 GPU
Graphics	Video Encode: 1080P @60fps H.264/H.265 Video Decode: 4K@60fps H.264/H.265/AV1 4KP60 AVS2/VP9 1080P MPEG1/VP8
Memory Capacity	Onboard LPDDR4 2GB/4GB/8GB (Optional)
Storage/SSD	16GB eMMC and Micro-SD card Full-size mini-PCIe slot x 1 (mSATA / USB)
Operating System	Android™ 12 Debian® 10
Kernel	Kernel 4.19.219 (Android 12)
Watchdog Timer	Integrated
Power Requirement	+12V DC input AT: Default, ATX: Optional
Power Consumption (Typical)	0.96A @12V, full load, Quad-core CPU
Dimension	3.94" x 3.15" (100mm x 80mm)
Gross Weight	0.44 lb (0.2 Kg)
Operating Temperature	32°F ~ 140°F (0°C ~ 60°C): Normal -4°F ~ 140°F (-20°C ~ 60°C): Optional
Storage Temperature	-40°F ~ 176°F (-40°C ~ 80°C)
Operating Humidity	0% ~ 90% relative humidity, non-condensing
MTBF (Hours)	100,000
Certification	CE/FCC
Display	
HDMI	HDMI 2.0, up to 4K x 2K @60Hz
eDP	eDP 1.3, up to 2560 x 1600 @60Hz
LVDS	18/24-bit LVDS, up to 1280 x 800 @60Hz JP2, 3.3V/5V: LVDS Power Selection JP3, 5V/12V: Backlight Power Selection LCD Backlight connector
MIPI	Up to 2048 x 1536 @60Hz for Dual-MIPI Mode
RF Function	
WiFi	Onboard 802.11 a/b/g/n/ac ANT1 for Antenna
BT	Bluetooth V5.0 + EDR

I/O	
Ethernet	GbE x 2 RJ-45 x 2 (Onboard x 1 + T650 Daughter Board RJ-45 Port or T650 Wide-Voltage Board RJ-45 Port)
USB Port	USB 3.2 Gen 1 OTG (Type-C) x 1 USB 3.2 Gen 1 x 1 USB 2.0 x 2 (Type-A x 1, Pin Header with Integrated USB, I2C, 5V x 1)
Serial Port	RS-232/422/485 x 1 JP1, 5V/12V: RS-232/422/485 Voltage Output Selection RS-232 / Debug port 7-pin wafer x 1 CN3: UART (Tx/Rx only), I2C, USB, Others
Audio	Microphone/ Earphone (3.5mm)
GPIO	GPIO x 8, 2x6 Wafer x 1
Expansion Slot	Full-size mini-PCIe slot x 1 (mSATA / USB) Connect to Daughter board: 40-pin FPC connector x 1
SIM Slot	Nano-SIM, Push-Push type with tray
SD Socket	Micro-SD card, Push-Push type
Camera	—

Packing List

- RICO-3568
- MB Power Cable
- RTC Battery

*Please note that the RICO-3568 heat sink is not included by default and must be purchased separately.

Optional Accessories

Part Number	Description	Qty.
PER-T650-A10	12-24V Input, PoE x 1, CAN Bus x 1, USB 2.0 x 2	1
125530060Y	12V/60W Power Adaptor	1
RICO-3568-HS-001	Heat-sink for RICO-3568.Low Fins	1
RICO-3568-HS-002	Heat-sink for RICO-3568.High Fins	1
1702031802	Power Cord for US	1
1702031803	Power Cord for EU	1
170203180J	Power Cord for UK	1
170203180E	Power Cord for Japan	1



ES France - Mobilité & Systèmes Embarqués
127 rue de Buzenval BP 26 - 92380 Garches



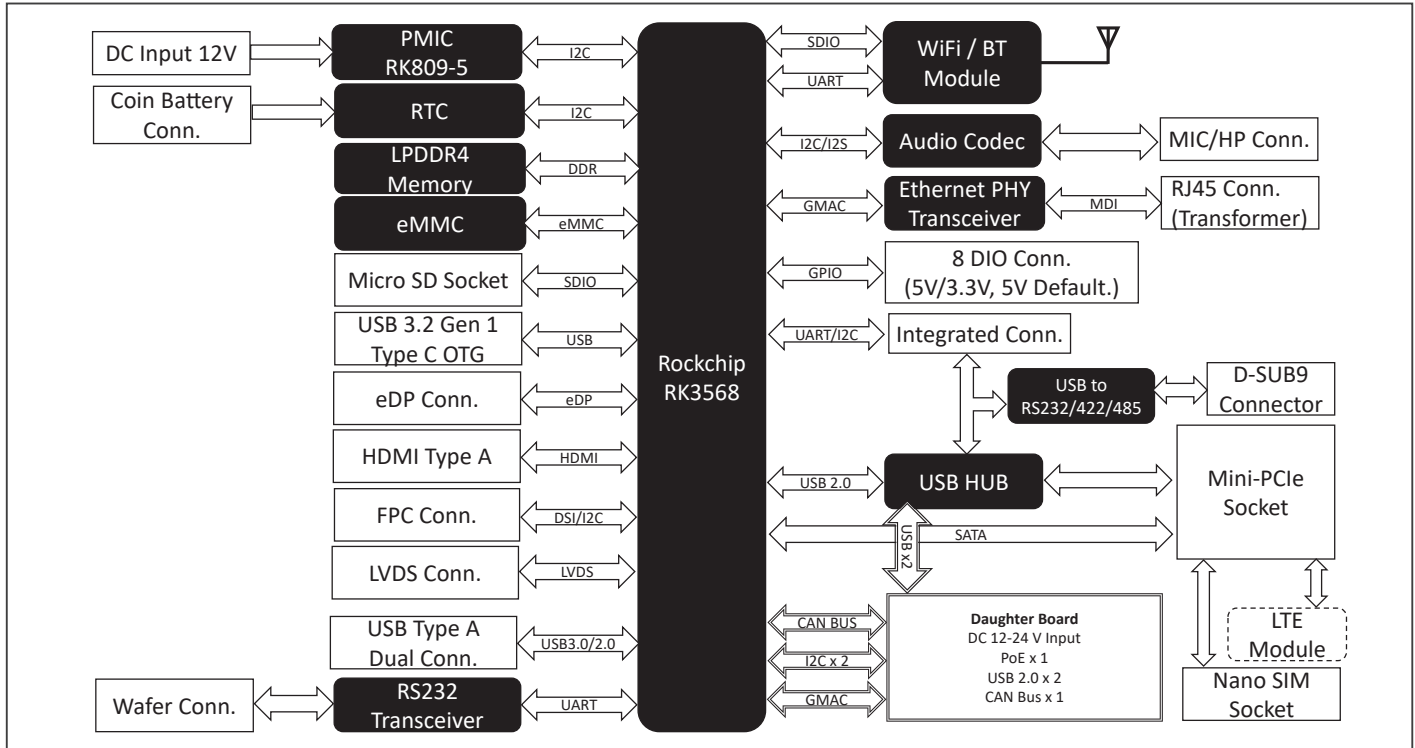
Tél. 01 47 95 99 80
Fax. 01 47 01 16 22



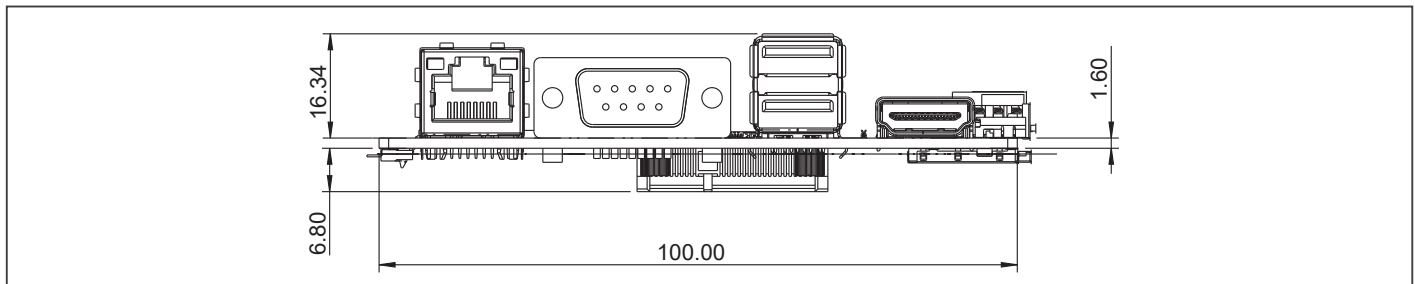
e-mail : mse@es-france.com
Site Web : www.es-france.com



Block Diagram Unit: mm



Dimension Unit: mm

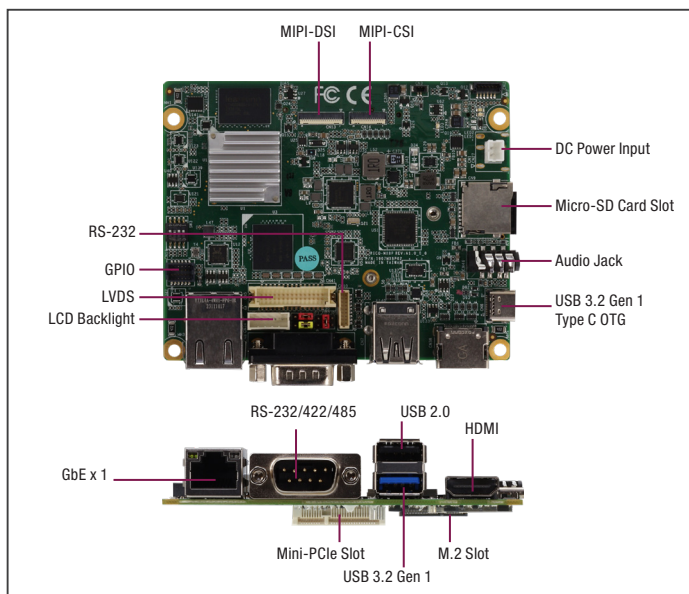


Ordering Information

Part Number	CPU	OS	RAM	Storage	LAN	RS-232	USB	Display	WiFi & BT	3G/LTE Slot
RICO-3568-A10-0001	Quad-Core Arm® Cortex®-A55 Processor	Android™ 12	2GB LPDDR4	16GB eMMC	GbE x 1	1 (RS-232) 1 (RS-232/422/485)	4	1 (HDMI) 1 (eDP) 1 (LVDS) 1 (MIPI)	802.11 a/b/g/n/ac BT 5.0 + EDR	1 (mPCIe Slot)
RICO-3568-A10-0002	Quad-Core Arm® Cortex®-A55 Processor	Android™ 12	4GB LPDDR4	16GB eMMC	GbE x 1	1 (RS-232) 1 (RS-232/422/485)	4	1 (HDMI) 1 (eDP) 1 (LVDS) 1 (MIPI)	802.11 a/b/g/n/ac BT 5.0 + EDR	1 (mPCIe Slot)

RICO-MX8P

Pico-ITX Fanless Board with NXP i.MX 8M Plus



Features

- NXP i.MX 8M Plus
- Onboard LPDDR4 2GB/4GB/8GB (Optional)
- Onboard eMMC 16GB and Micro-SD Card Slot
- HDMI 2.0(Default), LVDS, MIPI (Optional)
- M.2 2230 E-Key Slot (WiFi/BT Module, Optional)
- GbE x 2 (Onboard x 1, Daughter Board x 1)
- USB 3.2 Gen 1 x 2 (Type-C OTG x 1, Type-A x 1)
- USB 2.0 x 1 (Type-A)
- RS-232/422/485 x 1, 2-wire RS232 x 1 ,Debug Port x 1
- 8-bit GPIO, I2C, mPCIe Slot x 1
- +12V DC Input
- 12~24V Input, PoE, CANBus x 2, USB 2.0 x 2 via PER-T650 Daughter board
- Debian 11 Support
- Small Board Size (100mm x 80mm)



Specifications

System	
Form Factor	Pico-ITX Plus (100mm x 80mm)
CPU	NXP i.MX 8M Plus Quad-Core ARM® Cortex®-A53 Processor, 1.6GHz ARM® Cortex®-M7, 800MHz Processor for Low-Power Processing NPU: 2.3 TOPS (Optional)
GPU	GC7000 UltraLite: 3D GPU (2 shaders) OpenGL ES 3.1, Vulkan, OpenCL 1.2 GC520L: 2D GPU
Graphics	Video Processing Unit (VPU): 720p60 H.265, VP9 decoder 720p60 H.264, VP8 decoder 720p60 H.265, H.264 encoder
Memory Capacity	Onboard LPDDR4 2GB/4GB/8GB (Optional)
Storage/SSD	16GB eMMC and Micro-SD card
Operating System	Debian 11
Kernel	Kernel 5.10 (Debian 11)
Watchdog Timer	Integrated
Power Requirement	+12V DC Input
Power Consumption (Typical)	0.93A@12V, full load, Quad-Core CPU
Dimension	3.94" x 3.15" (100mm x 80mm)
Gross Weight	0.44 lb. (0.2Kg)
Operating Temperature	32°F ~ 140°F (0°C ~ 60°C)
Storage Temperature	-40°F ~ 176°F (-40°C ~ 80°C)
Operating Humidity	0% ~ 90% relative humidity, non-condensing
MTBF (Hours)	100,000
Certification	CE/FCC
Display	
HDMI	HDMI 2.0 (Type-A)
eDP	N/A
LVDS	4-Lane/8-Lane LVDS Interface JP2, 5V/12V: Backlight Power Selection JP3, 3.3V/5V: LVDS Power Selection LCD Backlight Connector
MIPI	4-Lane MIPI DSI Interface
RF Function	
WiFi	Supported via M.2 2230 E-Key (Optional, PCIe 3.0 [x1] I/F)
BT	Supported via M.2 2230 E-Key (Optional, PCIe 3.0 [x1] I/F)
I/O	
Ethernet	Onboard RJ45 GbE Port x 1 RJ45 GbE Port x 1 (via Daughter Board, T650 or T668)
USB Port	USB 3.2 Gen 1 x 2 (Type-C OTG x 1, Type-A x 1) USB 2.0 x 1 (Type-A)

Serial Port	RS-232/422/485 x 1 JP1, 5V/12V: RS-232/422/485 Voltage Output Selection COM Port Setting via S/W RS-232 Pin Header x 1 Debug Port x 1 UART x 2 (Tx/Rx Only)
Audio	Audio Combo Jack x 1 (3.5mm)
GPIO	GPIO x 8, 2x7P Wafer x 1
Expansion Slot	Full Size Mini-PCIe Slot x 1 (For LTE, USB I/F) 40-Pin FPC Connector x 1 (Connect to Daughter Board)
SIM Slot	Push-Push Nano-SIM Slot with Tray
SD Socket	Push-Push Micro-SD Card Slot x 1
Camera	4-Lane MIPI CSI Interface

Packing List

- RICO-MX8P
- MB Power Cable
- RTC Battery

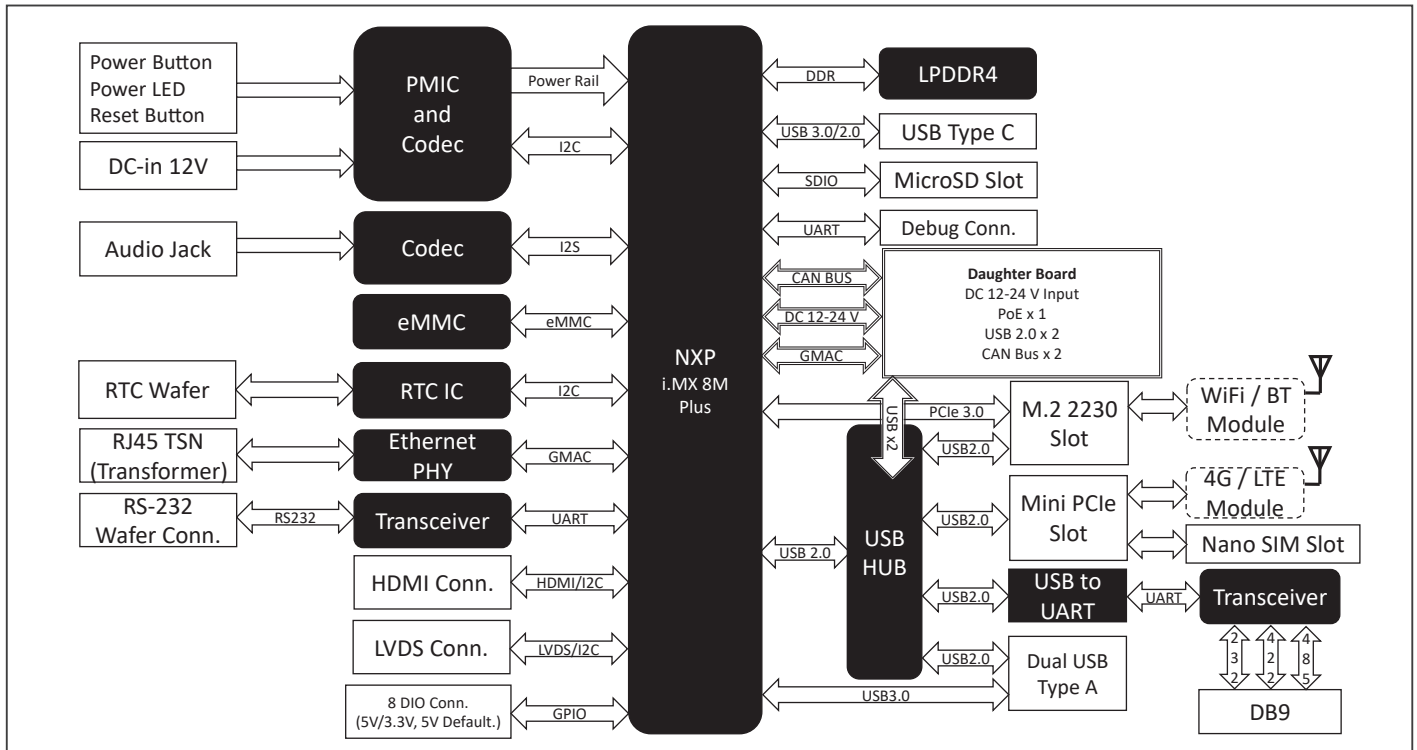
Optional Accessories

Part Number	Description	Qty.
PER-T650-A10	12-24V Input, PoE x 1, CANBus x 2, USB 2.0 x 2	1
125530060Y	12V/60W Power Adaptor	1
1255300365	12V/36W Power Adaptor	1
9686Y00196	WiFi 5 Kit, Emwicon WMX6219	1

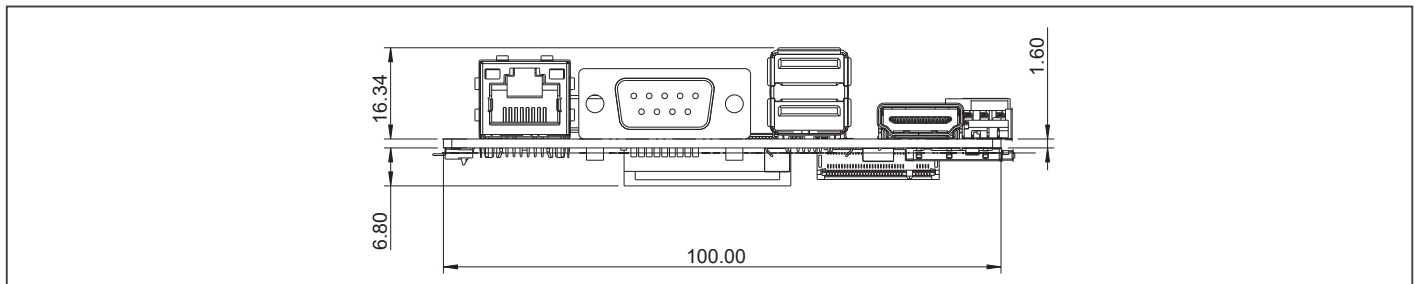




Block Diagram Unit: mm



Dimension Unit: mm



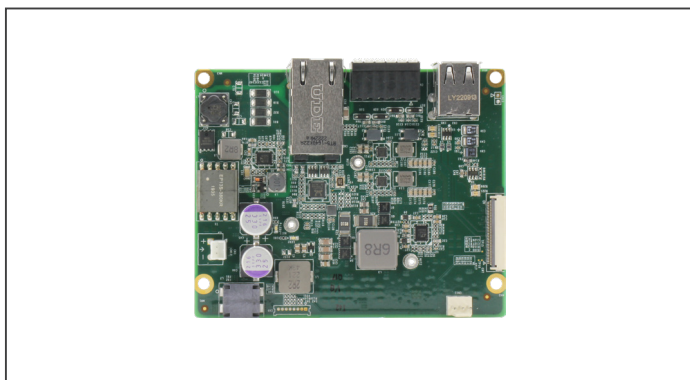
Ordering Information

Part Number	CPU	OS	RAM	Storage	LAN	RS-232	USB	Display	WiFi & BT	3G/LTE Slot
RICO-MX8P-A10-0001	Quad-Core ARM® Cortex®-A53, 1.6GHz	Debian 11	2GB LPDDR4	16GB eMMC	GbE x 1	1 (RS-232) 1 (RS-232/422/485)	USB 3.2 Gen 1 x 2 USB 2.0 x 1	HDMI 2.0 x 1 LVDS x 1 MIPI DSI x 1	Via M.2 WiFi/BT module (Optional) (E Key)	1 (mPCIe Slot)
RICO-MX8P-A10-0002	Quad-Core ARM® Cortex®-A53, 1.6GHz	Debian 11	4GB LPDDR4	16GB eMMC	GbE x 1	1 (RS-232) 1 (RS-232/422/485)	USB 3.2 Gen 1 x 2 USB 2.0 x 1	HDMI 2.0 x 1 LVDS x 1 MIPI DSI x 1	Via M.2 WiFi/BT module (Optional) (E Key)	1 (mPCIe Slot)



PER-T650 PRELIMINARY

I/O Module with 9V ~ 36V Input, PoE x 1, CANBus x 2, USB 2.0 x 2

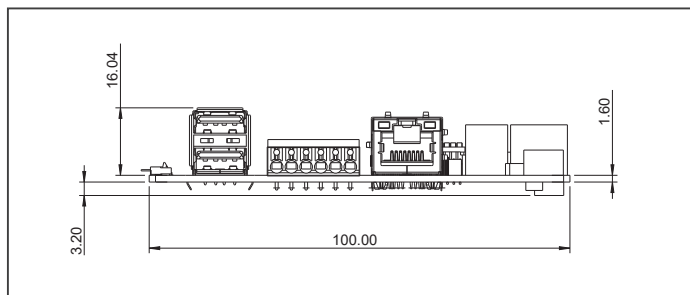


Features

- POE: Supports 802.3at
- CANBus x 2 (For RICO-3568 x 1)
- Wide-Voltage Input: 9V ~ 36V
- USB 2.0 x 2
- Battery Charger (Reserved)
- Small Size: 3.9" x 3.1" (100mm x 80mm)

Dimension

Unit: mm



Ordering Information

- PER-T650-A10
9V ~ 36V Input, PoE x 1, CANBus x 2, USB 2.0 x 2





ES France - Mobilité & Systèmes Embarqués
127 rue de Buzenval BP 26 - 92380 Garches



Tél. 01 47 95 99 80
Fax. 01 47 01 16 22



e-mail : mse@es-france.com
Site Web : www.es-france.com

03

03

RISC Boxes



ES France - Mobilité & Systèmes Embarqués
127 rue de Buzenval BP 26 - 92380 Garches



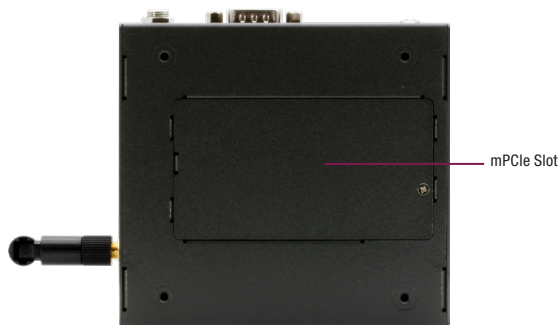
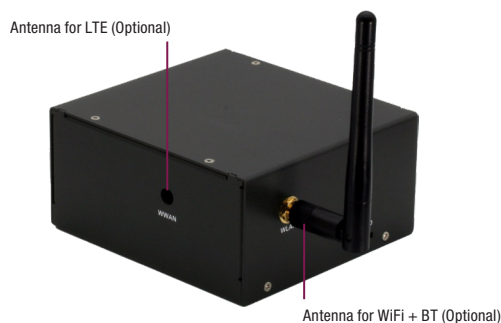
Tél. 01 47 95 99 80
Fax. 01 47 01 16 22



e-mail : mse@es-france.com
Site Web : www.es-france.com

BOXER-RK88

Fanless Embedded Box PC with Rockchip RK3288



Features

- Rockchip RK3288
- DDR3L 2GB/4GB (Optional)
- eMMC 16GB and Micro-SD Card Slot
- HDMI (1.4) Port x 1
- WiFi 802.11 b/g/n, BT V4.2
- GbE: RJ45 x 1
- USB 2.0: Micro-USB OTG x 1, Type A x 2
- RS-232/422/485 x 1, RS-232 x 1 (Optional)
- mPCIe Slot x 1
- +12V DC Input
- OS Support: Android 9.0 / Debian 10
- Compact Size (W x D x H): 103.4 mm x 96 mm x 50 mm

Specifications

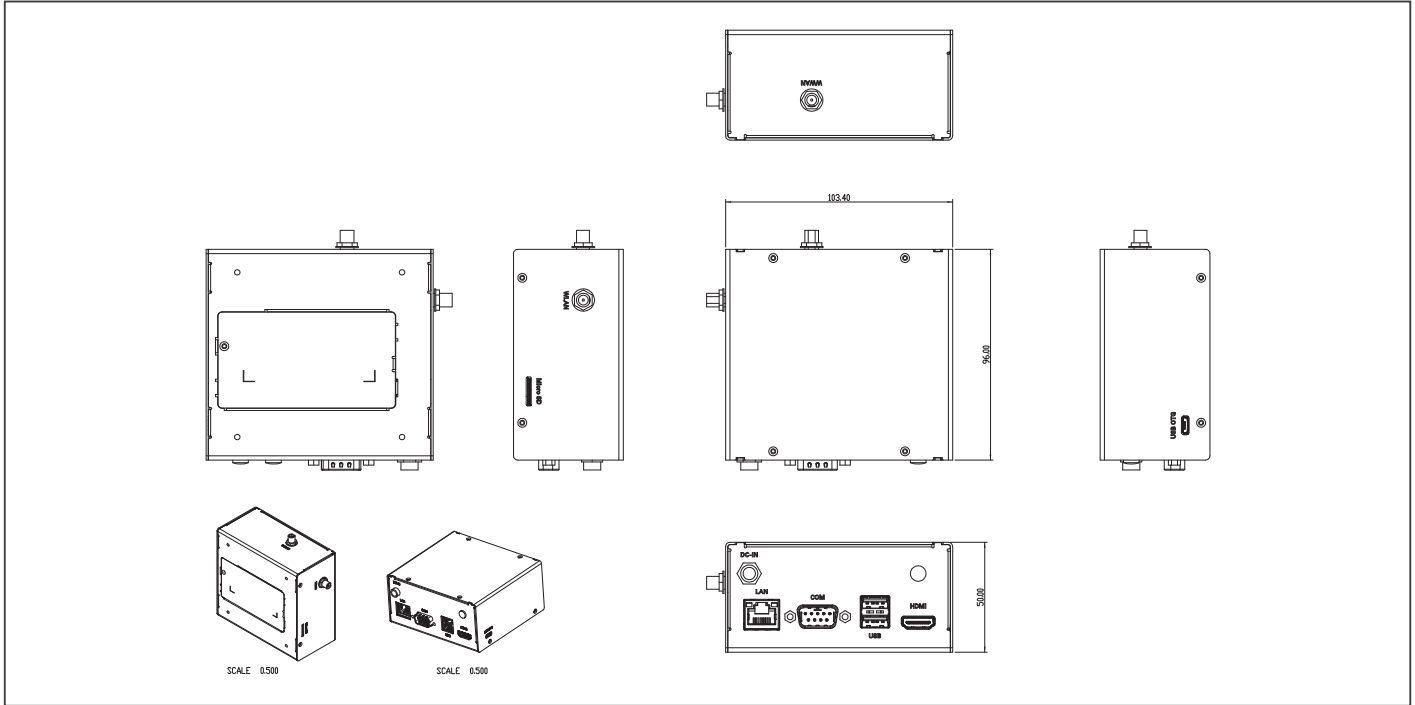
System	
CPU	Rockchip RK3288 ARM Cortex™-A17 Quad-core 1.6GHz
GPU	Mali-T764
Chipset	—
Graphics	Video Decode: MPEG-1, MPEG-2, MPEG-4, H.263, H.264, AVS, VC-1, VP8, MVC Video Encode: H.264 (BP@level4.0, MP@level4.0, HP@level4.0), MVC and VP8
System Memory	DDR3L 2GB/4GB (Optional)
Display Interface	HDMI (1.4)
Storage/SSD	16GB eMMC and Micro-SD card
I/O	Micro-SD Card Slot x 1 HDMI (1.4) Port x 1 Antenna Connector for WiFi 802.11 b/g/n, BT V4.2 Antenna Connector for LTE (Optional) GbE: RJ45 x 1 USB 2.0: Micro-USB OTG x 1, Type A x 2 RS-232/422/485 x 1, RS-232 x 1 (Optional)
Expansion	mPCIe Slot x 1 for LTE module
Indicator	Power LED x 1
OS Support	Android 9.0 / Debian 10
Power Supply	
Power Requirement	+12V DC input
Mechanical	
Mounting	VESA mount, 75mm x 75mm
Dimension (W x D x H)	4.07" x 3.78" x 1.97" (103.4 mm x 96 mm x 50 mm)
Gross Weight	1.1 lb (0.5 Kg)
Net Weight	0.66 lb (0.3 Kg)
Environmental	
Operating Temperature	32°F ~ 140°F (0°C ~ 60°C)
Storage Temperature	-40°F ~ 176°F (-40°C ~ 80°C)
Storage Humidity	0% ~ 90% relative humidity, non-condensing
Anti-Vibration	—
Certification	CE/FCC/IC





Dimension

Unit: mm



Packing List

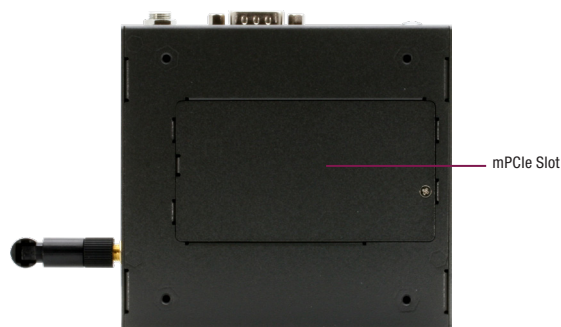
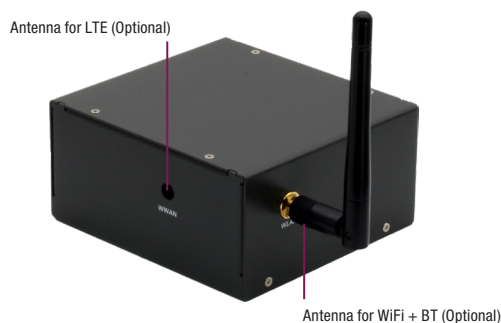
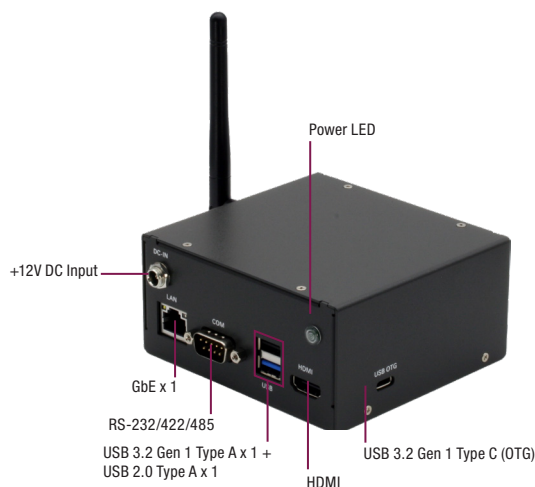
- BOXER-RK88
- 125530060Y
12V / 60W Power Adapter

Optional Accessories

- 175990001X
WiFi 2.4GHz, External Antenna
- 9741EG2560
EG25-G, W/ SIM Card Holder, RF Cable, External Antenna
- M04BIBX000
Wall-mount Plate

Ordering Information

Part Number	CPU	OS	RAM	Storage	LAN	RS-232	USB	Display	WiFi & BT	3G/LTE Slot
BOXER-RK88-A11-0001	ARM Cortex-A17 1.6GHz	Android 9.0	2GB DDR3L	16GB eMMC	GbE x 1	1 (RS-232/422/485)	3	1 (HDMI)	802.11 b/g/n BT 4.2 + EDR	1 (mPCIe Slot)



Features

- Rockchip RK3399
- LPDDR3 2GB/4GB (Optional)
- eMMC 16GB and Micro-SD Card Slot
- HDMI (2.0) Port x 1
- WiFi 802.11 b/g/n, BT V4.2
- GbE: RJ45 x 1
- USB 3.2 Gen 1: Type C OTG x 1, Type A x 1
- USB 2.0: Type A x 1
- RS-232/422/485 x 1, RS-232 x 1 (Optional)
- mPCIe Slot x 1
- +12V DC Input
- OS Support: Android 8.1 / Debian 10
- Compact Size (W x D x H): 103.4 mm x 96 mm x 50 mm

Specifications

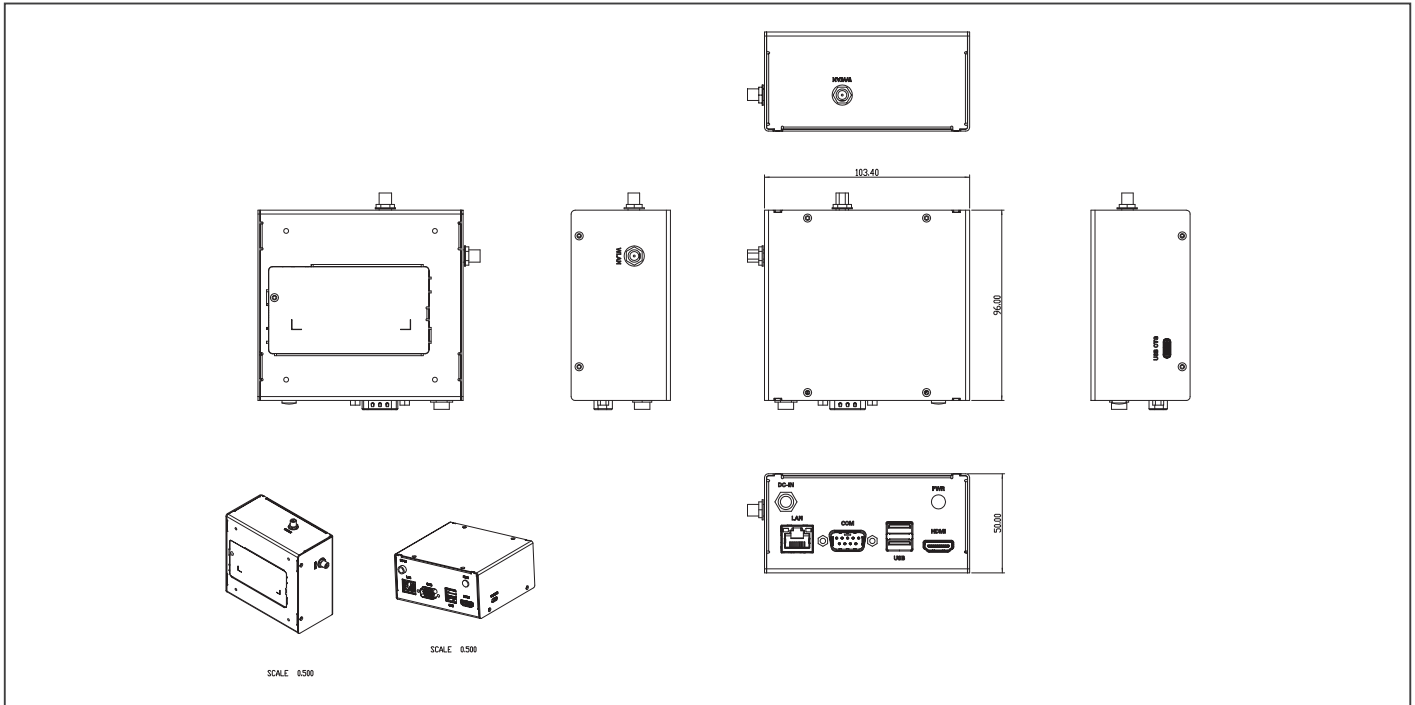
System	
CPU	Rockchip RK3399 ARM Cortex™-A72 Dual-core 1.8GHz and Cortex™-A53 Quad-core 1.4GHz
GPU	Mali-T864
Chipset	—
Graphics	Video Decode: MPEG-1, MPEG-2, MPEG-4, H.263, H.264, H.265, VC-1, VP8, VP9, MVC Video Encode: H.264 UP to HP@level4.1, MVC and VP8
System Memory	LPDDR3 2GB/4GB (Optional)
Display Interface	HDMI (2.0) up to 4K x 2K @ 60Hz
Storage/SSD	16GB eMMC and Micro-SD card
I/O	Micro-SD Card Slot x 1 HDMI (2.0) Port x 1 Antenna Connector for WiFi 802.11 b/g/n, BT V4.2 Antenna Connector for LTE (Optional) GbE: RJ45 x 1 USB 3.2 Gen 1: Type C OTG x 1, Type A x 1 USB 2.0: Type A x 1 RS-232/422/485 x 1, RS-232 x 1 (Optional)
Expansion	mPCIe Slot x 1 for LTE module
Indicator	Power LED x 1
OS Support	Android 8.1 / Debian 10
Power Supply	
Power Requirement	+12V DC input
Mechanical	
Mounting	VESA mount, 75mm x 75mm
Dimension (W x D x H)	4.07" x 3.78" x 1.97" (103.4 mm x 96 mm x 50 mm)
Gross Weight	1.1 lb (0.5 Kg)
Net Weight	0.66 lb (0.3 Kg)
Environmental	
Operating Temperature	32°F ~ 140°F (0°C ~ 60°C)
Storage Temperature	-40°F ~ 176°F (-40°C ~ 80°C)
Storage Humidity	0% ~ 90% relative humidity, non-condensing
Anti-Vibration	—
Certification	CE/FCC/IC





Dimension

Unit: mm



Packing List

- BOXER-RK99
- 125530060Y
12V / 60W Power Adapter

Optional Accessories

- 175990001X
WiFi 2.4GHz, External Antenna
- 9741EG2560
EG25-G, W/ SIM Card Holder, RF Cable, External Antenna
- M04BIBX000
Wall-mount Plate

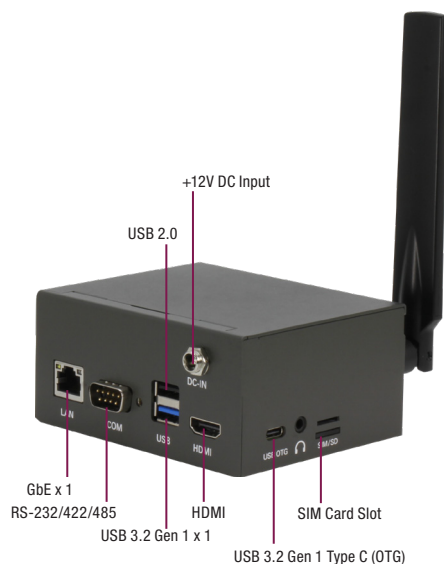
Ordering Information

Part Number	CPU	OS	RAM	Storage	LAN	RS-232	USB	Display	WiFi & BT	3G/LTE Slot
BOXER-RK99-A10-0001	ARM Dual Cortex-A72 + Quad Cortex-A53	Android 8.1	2GB LPDDR3	16GB eMMC	GbE x 1	1 (RS-232/422/485)	3	1 (HDMI)	802.11 a/b/g BT4.2 + EDR	1 (mPCIe Slot)

BOXER-RK3568 PRELIMINARY



Fanless Embedded Box PC with Rockchip RK3568



Features

- Rockchip RK3568
- LPDDR4 2GB/4GB/8GB (Optional)
- eMMC 16GB and Micro-SD Card Slot
- HDMI 2.0 Port x 1
- WiFi 802.11 b/g/n, BT V5.0
- GbE: RJ45 x 1
- USB 3.2 Gen 1: Type C OTG x 1, Type A x 1
- USB 2.0: Type A x 1
- RS-232/422/485 x 1, RS-232 x 1 (Optional)
- mPCIe Slot x 1 (mSATA / USB)
- +12V DC Input
- OS Support: Android 12, Debian 10 (Optional)
- Compact Size (W x D x H): 106.5 mm x 85.6 mm x 50 mm

Specifications

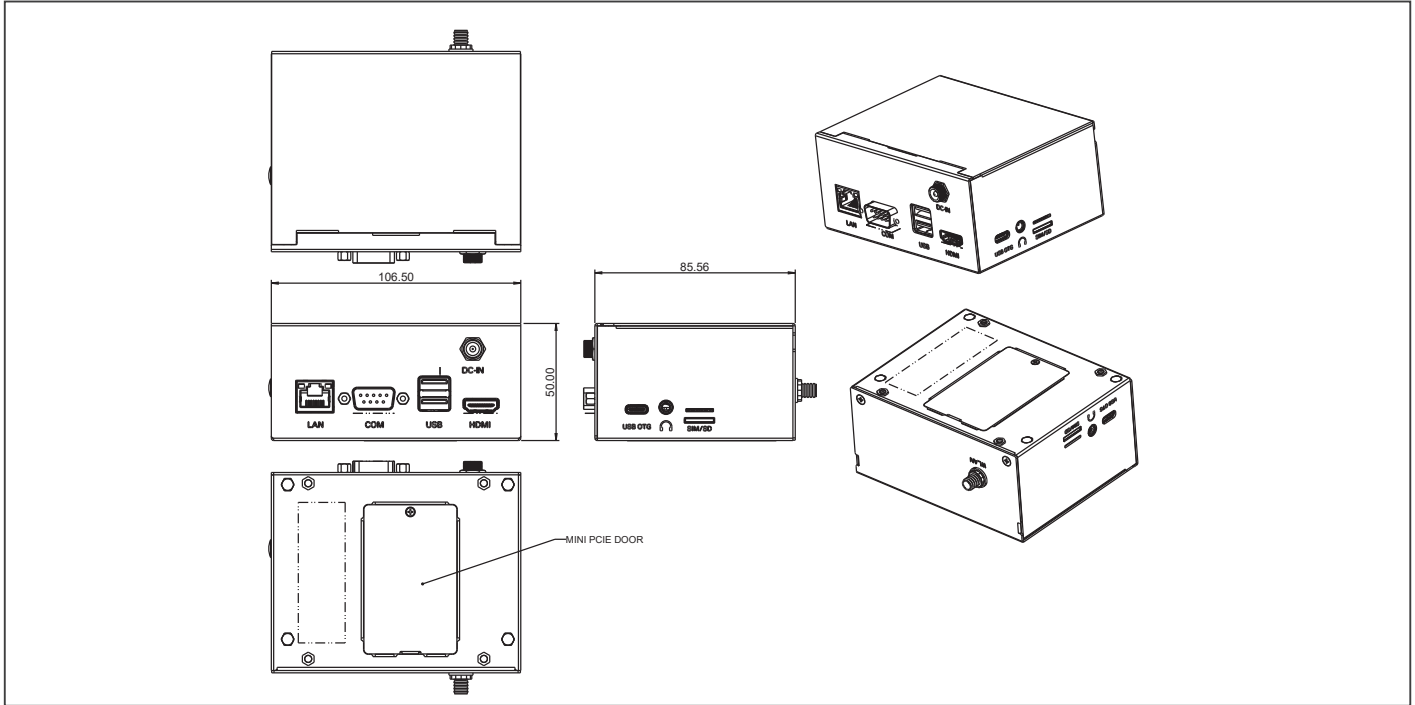
System	
CPU	Rockchip RK3568 ARM Cortex™-A55 Quad-core
GPU	Mali-G52
Chipset	NPU: 0.8 TOPS
Graphics	Video Encode: 1080P@60fps H.264/H.265 Video Decode: 4K@60fps H.264/H.265/AV1 4KP60 AVS2/VP9 1080P MPEG1/VP8
System Memory	LPDDR4 2GB/4GB/8GB (Optional)
Display Interface	HDMI (2.0)
Storage/SSD	16GB eMMC and Micro-SD card
I/O	Micro-SD Card Slot x 1 HDMI (2.0) Port x 1 Antenna Connector for WiFi 802.11 b/g/n, BT V5.0 Antenna Connector for LTE (Optional) GbE: RJ45 x 1 USB 3.2 Gen 1: Type C OTG x 1, Type A x 1 USB 2.0: Type A x 1 RS-232/422/485 x 1, RS-232 x 1 (Optional) SIM Card Slot x 1
Expansion	mPCIe Slot x 1 (mSATA / USB) for LTE module
Indicator	Power LED x 1
OS Support	Android 12, Debian 10 (Optional)
Power Supply	
Power Requirement	+12V DC input
Mechanical	
Mounting	VESA mount, 75mm x 75mm
Dimension (W x D x H)	4.2" x 3.37" x 1.97" (106.5 mm x 85.6 mm x 50 mm)
Gross Weight	1.1 lb (0.5 Kg)
Net Weight	0.66 lb (0.3 Kg)
Environmental	
Operating Temperature	32°F ~ 140°F (0°C ~ 60°C)
Storage Temperature	-40°F ~ 176°F (-40°C ~ 80°C)
Storage Humidity	0% ~ 90% relative humidity, non-condensing
Anti-Vibration	—
Certification	CE/FCC





Dimension

Unit: mm



Packing List

- BOXER-RK3568
- 125530060Y
12V / 60W Power Adapter

Optional Accessories

- 170X000399
WiFi 6, 2.4GHz/5GHz/6GHz, External Antenna
- M04BIBX000
Wall-mount Plate
- 9741EG2560
EG25-G, W/ SIM Card Holder, RF Cable, External Antenna

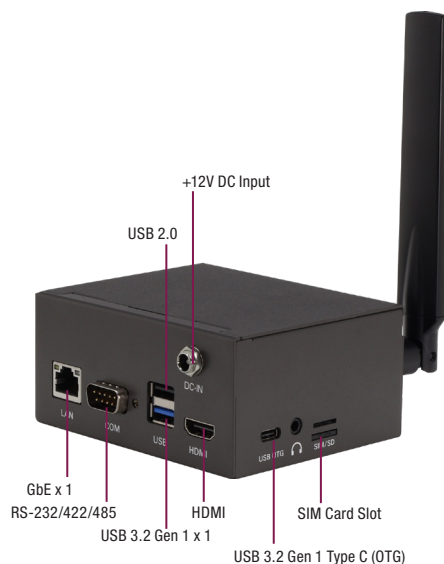
Ordering Information

Part Number	CPU	OS	RAM	Storage	LAN	RS-232	USB	Display	WiFi & BT	3G/LTE Slot
BOXER-RK3568-A10-0001	ARM Cortex-A17 1.6GHz 144RK32882	Android 12	2GB LPDDR4	16GB eMMC	GbE x 1	1 (RS-232/422/485)	3	1 (HDMI)	802.11 b/g/n BT 5.0 + EDR	1 (mPCIe Slot)
BOXER-RK3568-A10-0002	ARM Cortex-A17 1.6GHz 144RK32882	Android 12	4GB LPDDR4	16GB eMMC	GbE x 1	1 (RS-232/422/485)	3	1 (HDMI)	802.11 b/g/n BT 5.0 + EDR	1 (mPCIe Slot)

BOXER-MX8P PRELIMINARY



Fanless Embedded Box PC with NXP i.MX 8M Plus



Features

- NXP i.MX 8M Plus
- LPDDR4 2GB/4GB/8GB (Optional)
- eMMC 16GB and Micro-SD Card Slot
- HDMI 2.0 Port x 1
- WiFi 802.11 b/g/n, BT V5.0
- GbE: RJ45 x 1
- USB 3.2 Gen 1: Type C OTG x 1, Type A x 1
- USB 2.0: Type A x 1
- RS-232/422/485 x 1, RS-232 x 1 (Optional)
- mPCIe Slot x 1 (USB)
- +12V DC Input
- OS Support: Debian 11 / Android 13
- Compact Size (W x D x H): 106.5 mm x 85.6 mm x 50 mm

Specifications

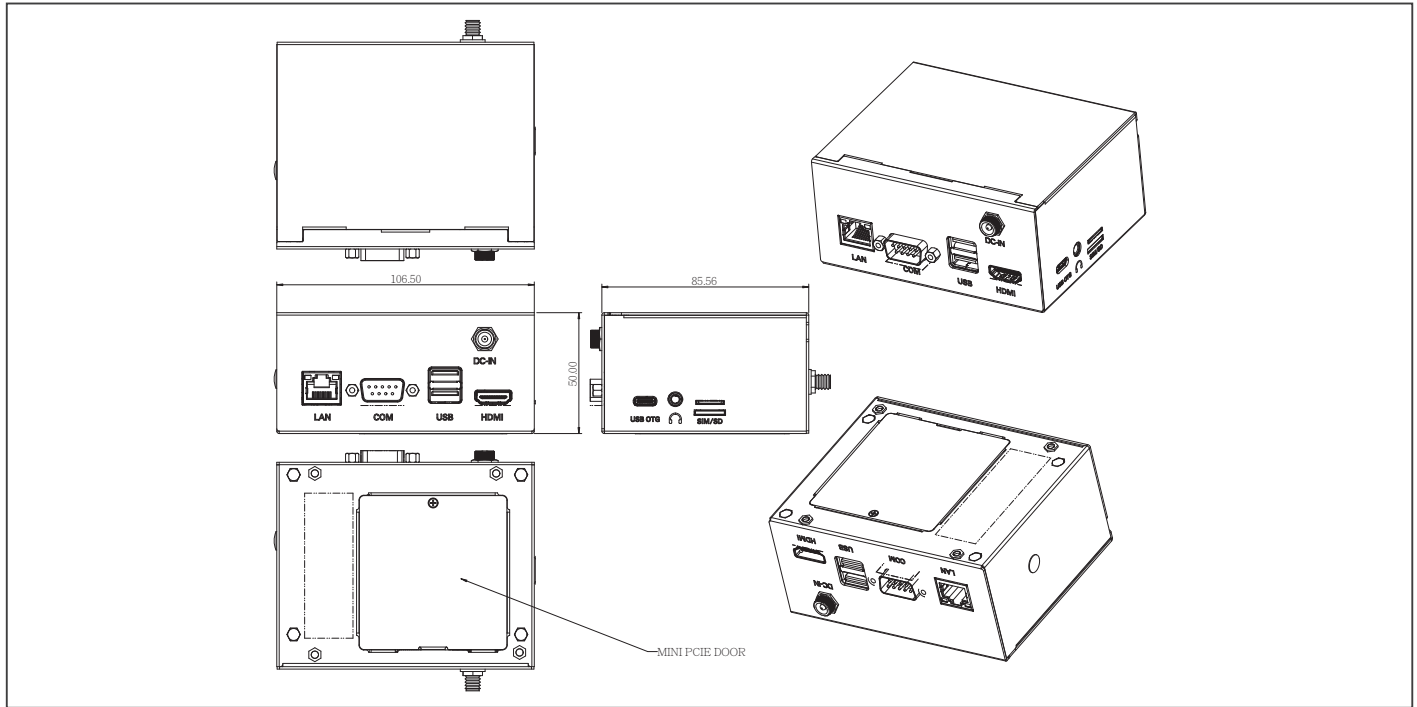
System	
CPU	NXP i.MX 8M Plus Quad Cortex™-A53 1.6GHz Cortex™-M7 800MHz processor for low-power processing
GPU	GC7000UltraLite: 3D GPU (2 shaders) OpenGL ES 3.1, Vulkan, OpenCL 1.2 GC520L: 2D GPU
Chipset	NPU: 2.3 TOPS
Graphics	Video Processing Unit (VPU): • 1080p60 H.265, VP9 decoder • 1080p60 H.264, VP8 decoder • 1080p60 H.265, H.264 encoder
System Memory	LPDDR4 2GB/4GB/8GB (Optional)
Display Interface	HDMI (2.0)
Storage/SSD	16GB eMMC and Micro-SD card
I/O	Micro-SD Card Slot x 1 HDMI (2.0) Port x 1 Antenna Connector for WiFi 802.11 b/g/n, BT V5.0 Antenna Connector for LTE (Optional) GbE: RJ45 x 1 USB 3.2 Gen 1: Type C OTG x 1, Type A x 1 USB 2.0: Type A x 1 RS-232/422/485 x 1, RS-232 x 1 (Optional) SIM Card Slot x 1
Expansion	mPCIe Slot x 1 (USB) for LTE module
Indicator	Power LED x 1
OS Support	Debian 11, Android 13 (Optional)
Power Supply	
Power Requirement	+12V DC input
Mechanical	
Mounting	VESA mount, 75mm x 75mm
Dimension (W x D x H)	4.2" x 3.37" x 1.97" (106.5 mm x 85.6 mm x 50 mm)
Gross Weight	1.1 lb (0.5 Kg)
Net Weight	0.66 lb (0.3 Kg)
Environmental	
Operating Temperature	32°F ~ 140°F (0°C ~ 60°C)
Storage Temperature	-40°F ~ 176°F (-40°C ~ 80°C)
Storage Humidity	0% ~ 90% relative humidity, non-condensing
Anti-Vibration	—
Certification	CE / FCC





Dimension

Unit: mm



Packing List

- BOXER-MX8P
- 125530060Y
12V / 60W Power Adapter

Optional Accessories

- 170X000399
WiFi 6, 2.4GHz/5GHz/6GHz, External Antenna
- 9741EG2560
EG25-G, W/ SIM Card Holder, RF Cable, External Antenna
- M04BIBX000
Wall-mount Plate

Ordering Information

Part Number	CPU	OS	RAM	Storage	LAN	RS-232	USB	Display	WiFi & BT	3G/LTE Slot
BOXER-MX8P-A10-0001	Quad-Core ARM® Cortex®-A53, 1.6GHz	Debian 11	2GB LPDDR4	16GB eMMC	GbE x 1	1 (RS-232/422/485)	3	1 (HDMI)	802.11 b/g/n BT 5.0 + EDR	1 (mPCIe Slot)
BOXER-MX8P-A10-0002	Quad-Core ARM® Cortex®-A53, 1.6GHz	Andriod 13	4GB LPDDR4	16GB eMMC	GbE x 1	1 (RS-232/422/485)	3	1 (HDMI)	802.11 b/g/n BT 5.0 + EDR	1 (mPCIe Slot)

04



ES France - Mobilité & Systèmes Embarqués
127 rue de Buzenval BP 26 - 92380 Garches



Tél. 01 47 95 99 80
Fax. 01 47 01 16 22



e-mail : mse@es-france.com
Site Web : www.es-france.com

04

All in One Panel PC Solutions



ES France - Mobilité & Systèmes Embarqués
127 rue de Buzenval BP 26 - 92380 Garches



Tél. 01 47 95 99 80
Fax. 01 47 01 16 22



e-mail : mse@es-france.com
Site Web : www.es-france.com

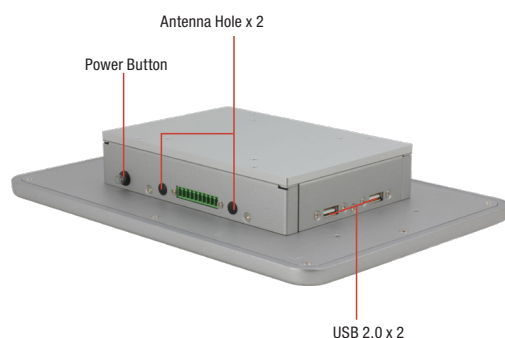


10" WXGA Multi Touch Panel PC With Intel® Processor N-series Processors

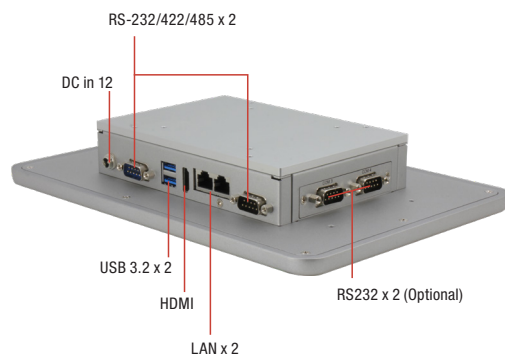
Front View



Top View



Bottom View



Features

- 10" WXGA (1280 x 800) Color TFT LCD Display
- Intel® Processor N-series Processors
- Projected Capacitive Multi Touch
- IP65 Compliant Aluminum Front Bezel
- VESA Mount/Built-in Panel Mount Bracket
- Fanless System
- 12V DC Jack



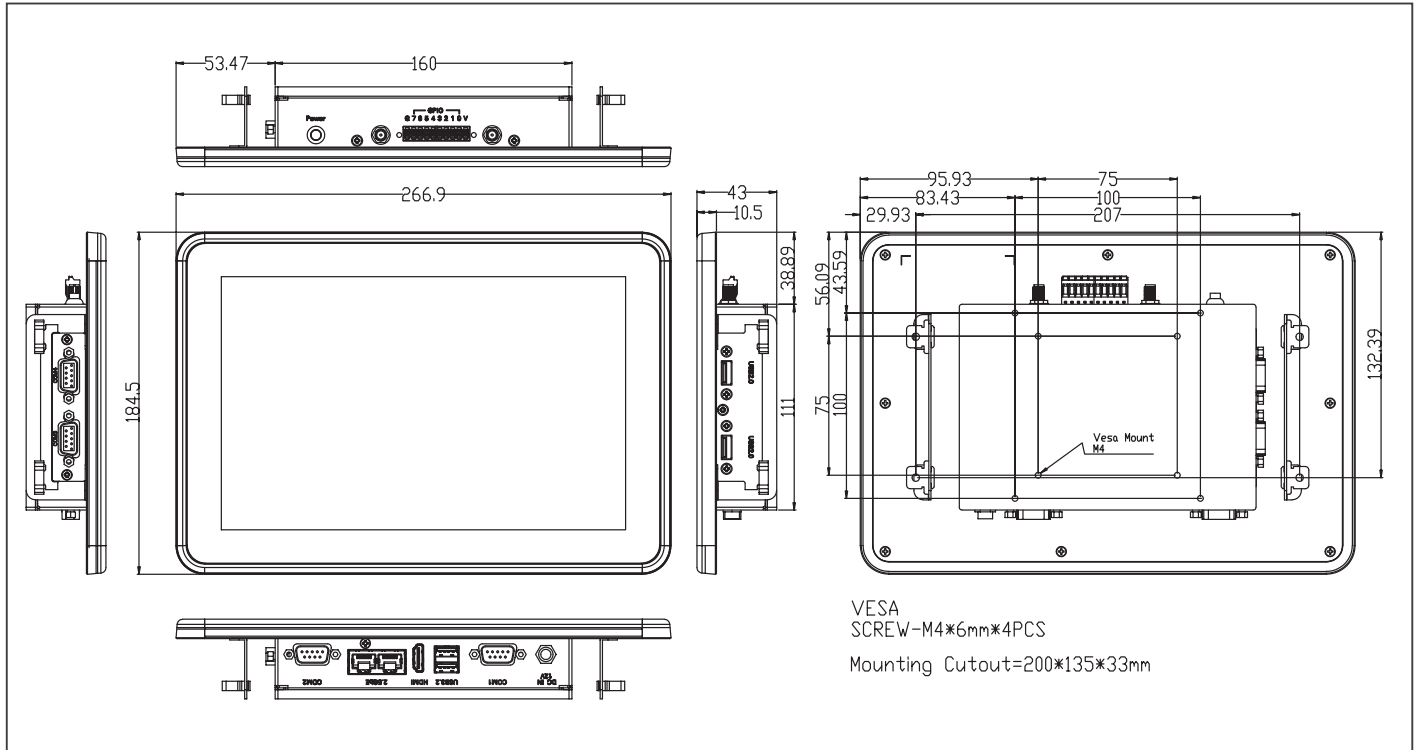
System	
Processor	Intel® Processor N50 Intel® Processor N97 *Turbo Mode is disabled by default. If enabling it, please ensure the system in a well-ventilated area.
System Memory	DDR5 4800MHz SODIMM x 1, up to 32GB
LCD/CRT controller	CPU Integrated
Ethernet	Intel® Ethernet Controller I226 GbE x 2
I/O Port	USB 3.2 x 2 USB 2.0 x 2 via Cables DB-9 x 2 for RS-232/422/485 (Set By BIOS) DB-9 x 2 for RS-232 (Optional) HDMI 1.4b x 1 2.5GbE x 2 12V DC Jack, 9~36V (Optional) Power on/off Switch with LED Light x 1
Storage Disk Drive	Full size mPCIe (PCIe [x1]/SATA)
Expansion Slot	M.2 3052 B-Key x 1 with Nano SIM M.2 2230 E-Key x 1
OS support	Windows® 10 IoT Enterprise LTSC 2021 Windows® 10/11
Mechanical	
Construction	Aluminum Front Bezel + Metal Chassis
Mounting	Panel Mount/VESA Mount (VESA 100)
Dimension	10.5" x 7.26" x 1.69" (266.9mm x184.5mm x 43 mm)
Carton Dimension	13.3" x 10.2" x 5.9" (339mm x 260mm x 152mm)
Gross Weight	3.3 lb. (1.5Kg)
Environmental	
Operating Temperature	23°F ~ 122°F (-5°C ~ 50°C) with 0.5 m/s airflow
Storage Temperature	-4°F ~ 158°F (-20°C ~ 70°C)
Storage Humidity	90% @40°C; non-condensing
Vibration	1Grm s/5~500Hz/ operation - with mSATA
Shock	15 G peak acceleration (11 m sec. duration) with mSATA
EMC	CE/FCC Class A Compatible
Power Supply	
DC Input	DC 12V
LCD	
Display Type	10.1" TFT-LCD, LED
Max Resolution	1280 x 800
Max. Colors	262k
Luminance	300 cd/m²
Viewing Angle	170° (H), 170° (V)
Back Light	LED
Back Light MTBF (Hours)	25,000 Hrs
Touchscreen	
Type	Projected Capacitive Multi-Touch
Light Transmission	90%





Dimension

Unit: mm



Packing List

- ACP-2106
- Panel Mount
- Screw Pack
- 125530060Y
12V 60W Power Adapter

Optional Accessories

Part Number	Description
170X000799	Power Cord (US Type)
170X000800	Power Cord (European Type)
170X000803	Power Cord (Japanese Type)
M041073020	Stand Kit

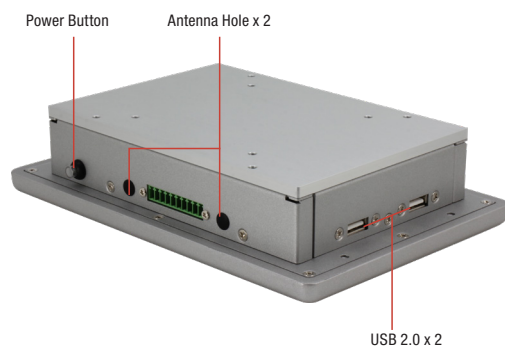
Ordering Information

Part Number	Display Type	Resolution	Luminance	View Angle	Backlight MTBF	CPU	LAN	USB 3.2	USB 2.0	RS-232	RS-232/422/485	Storage	RAM	Display	Expansion	Mounting	Power	Temp	Touch
ACP-2106HTT-A1-1010	10.1" TFT-LCD	1280 x 800	300 cd/m ²	170° (H), 170° (V)	25,000 Hrs	Intel® Processor N50	2.5GbE x 2	2	2	2 (Optional)	2	Full size mPCIe (PCIe [x1]/SATA)	DDR5, up to 32GB	HDMI x 1	M.2 3052 B-Key x 1 M.2 2230 E-Key x 1	Panel Mount/VESA Mount	DC 12V	23°F ~ 122°F (-5°C ~ 50°C) with airflow	PCAP T/S
ACP-2106HTT-A2-1010	10.1" TFT-LCD	1280 x 800	300 cd/m ²	170° (H), 170° (V)	25,000 Hrs	Intel® Processor N97	2.5GbE x 2	2	2	2 (Optional)	2	Full size mPCIe (PCIe [x1]/SATA)	DDR5, up to 32GB	HDMI x 1	M.2 3052 B-Key x 1 M.2 2230 E-Key x 1	Panel Mount/VESA Mount	DC 12V	23°F ~ 122°F (-5°C ~ 50°C) with airflow	PCAP T/S

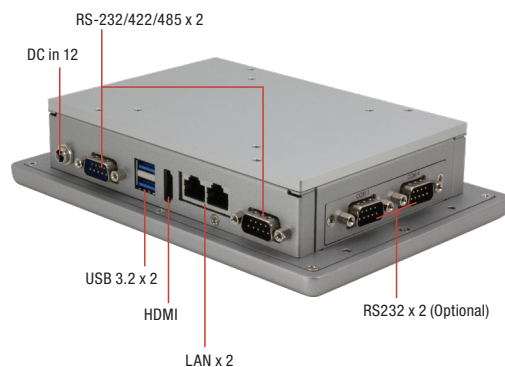
Front View



Top View



Bottom View



Features

- 7" WSVGA (1024 x 600) Color TFT LCD Display
- Intel® Processor N-series Processors
- Projected Capacitive Multi Touch
- IP65 Compliant Aluminum Front Bezel
- VESA Mount/Built-in Panel Mount Bracket
- Fanless System
- 12V DC Jack

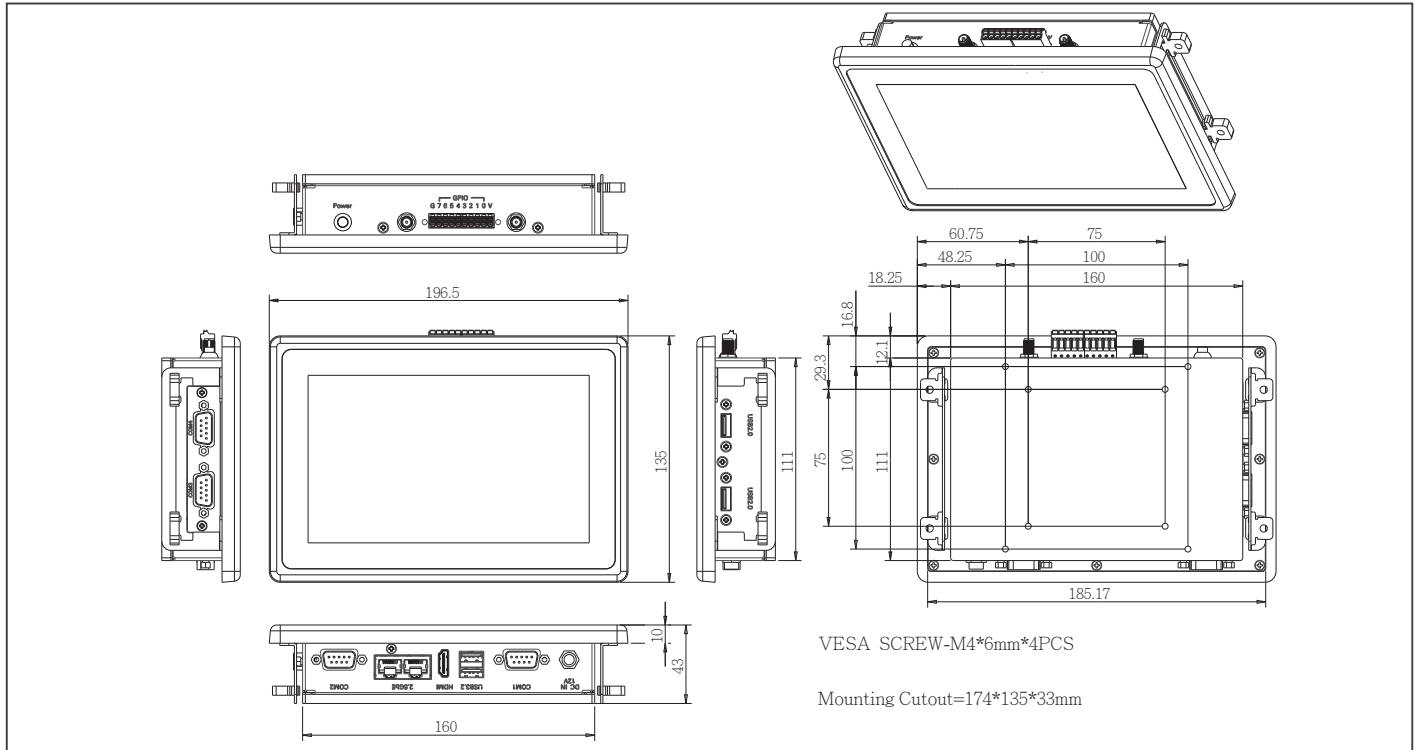


System	
Processor	Intel® Processor N50 Intel® Processor N97 *Turbo Mode is disabled by default. If enabling it, please ensure the system in a well-ventilated area.
System Memory	DDR5 4800MHz SODIMM x 1, up to 32GB
LCD/CRT controller	CPU Integrated
Ethernet	Intel® Ethernet Controller I226 GbE x 2
I/O Port	USB 3.2 x 2 USB 2.0 x 2 via Cables DB-9 x 2 for RS-232/422/485 (Set By BIOS) DB-9 x 2 for RS-232 (Optional) HDMI 1.4b x 1 2.5GbE x 2 12V DC Jack, 9~36V (Optional) Power on/off Switch with LED Light x 1
Storage Disk Drive	Full size mPCIe (PCIe [x1]/SATA)
Expansion Slot	M.2 3052 B-Key x 1 with Nano SIM M.2 2230 E-Key x 1
OS support	Windows® 10 IoT Enterprise LTSC 2021 Windows® 10/11
Mechanical	
Construction	Aluminum Front Bezel + Metal Chassis
Mounting	Panel Mount/VESA Mount (VESA 100)
Dimension	7.74" x 5.31" x 1.69" (196.5mm x 135mm x 43mm)
Carton Dimension	11.0" x 8.7" x 6.1" (280mm x 220mm x 154mm)
Gross Weight	2.1 lb. (0.95Kg)
Environmental	
Operating Temperature	23°F ~ 122°F (-5°C ~ 50°C) with 0.5 m/s airflow
Storage Temperature	-4°F ~ 158°F (-20°C ~ 70°C)
Storage Humidity	90% @40°C; non-condensing
Vibration	1Grm s/5~500Hz/ operation - with mSATA
Shock	15 G peak acceleration (11 m sec. duration) with mSATA
EMC	CE/FCC Class A Compatible
Power Supply	
DC Input	DC 12V
LCD	
Display Type	7" TFT LCD, LED
Max Resolution	1024 x 600
Max. Colors	16.7M
Luminance	320 cd/m²
Viewing Angle	145° (H) ; 150° (V)
Back Light	LED
Back Light MTBF (Hours)	20,000 Hrs
Touchscreen	
Type	Projected Capacitive Multi-Touch
Light Transmission	90%



Dimension

Unit: mm



Packing List

- ACP-2076
- Panel Mount
- Screw Pack
- 125530060Y
12V 60W Power Adapter

Optional Accessories

Part Number	Description
170X000799	Power Cord (US Type)
170X000800	Power Cord (European Type)
170X000803	Power Cord (Japanese Type)
M041073020	Stand Kit

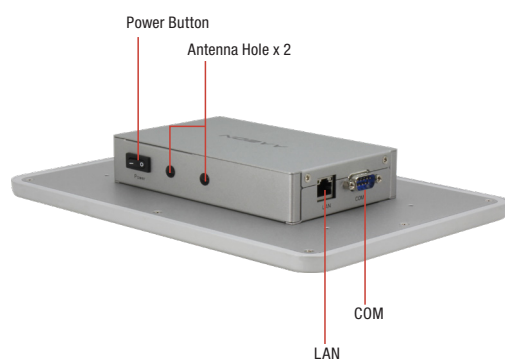
Ordering Information

Part Number	Display Type	Resolution	Luminance	View Angle	Backlight MTBF	CPU	LAN	USB 3.2	USB 2.0	RS-232	RS-232/422/485	Storage	RAM	Display	Expansion	Mounting	Power	Temp	Touch
ACP-2076HTT-A1-1010	7" TFT LCD	1024 x 600	320 cd/m ²	145°(H); 150°(V)	20,000 Hrs	Intel® Processor N50	2.5GbE x 2	2	2	2 (Optional)	2	Full size mPCIe (PCIe [x1]/SATA)	DDR5, up to 32GB	HDMI x 1	M.2 3052 B-Key x 1 M.2 2230 E-Key x 1	Panel Mount/VESA Mount	DC 12V	23°F ~ 122°F (-5°C ~ 50°C) with airflow	PCAP T/S
ACP-2076HTT-A2-1010	7" TFT LCD	1024 x 600	320 cd/m ²	145°(H); 150°(V)	20,000 Hrs	Intel® Processor N97	2.5GbE x 2	2	2	2 (Optional)	2	Full size mPCIe (PCIe [x1]/SATA)	DDR5, up to 32GB	HDMI x 1	M.2 3052 B-Key x 1 M.2 2230 E-Key x 1	Panel Mount/VESA Mount	DC 12V	23°F ~ 122°F (-5°C ~ 50°C) with airflow	PCAP T/S

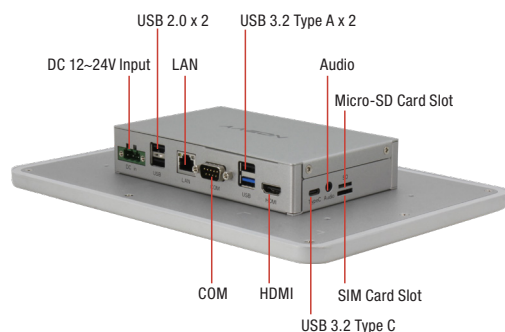
Front View



Top View



Bottom View



Features

- 10.1" WXGA (1280 x 800) Color TFT LCD Display
- RICO-3568
- Projected Capacitive Touch Screen
- IP65 Compliant Aluminum Front Bezel
- Fanless System
- VESA/Panel Mount Support
- LAN x 2, COM x 2, USB 3.2 Gen1 (Type A) x 2, USB 2.0 x 2
- USB 3.2 Gen 1 (Type C) x 1
- HDMI x 1, Audio x 1
- Full-size Mini Card Slot x 1
- DC 12~24V



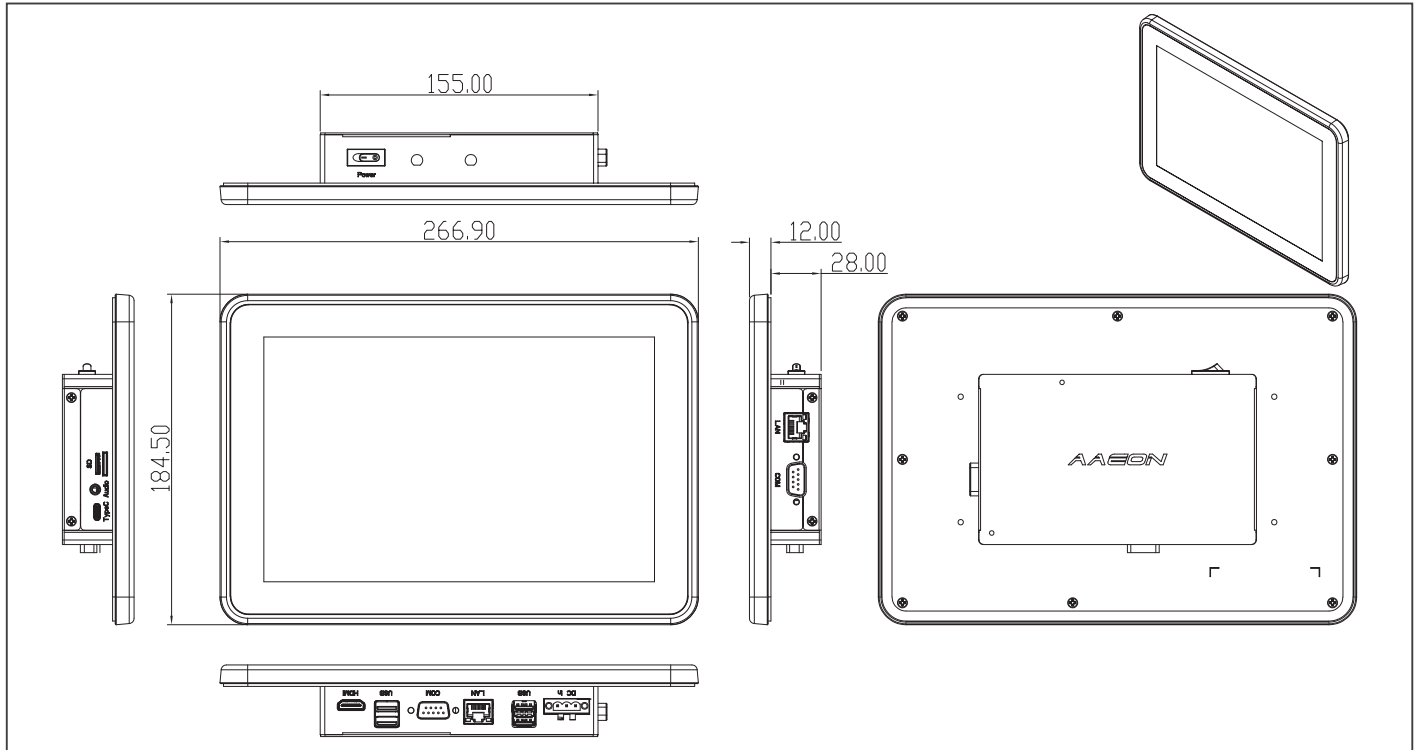
System	
Processor	Rockchip™ RK3568 Quad-Core Arm® Cortex®-A55 Processor
System Memory	LPDDR4 2GB/4GB (Optional)
LCD/CRT controller	—
Ethernet	10/100/1000 Base TX x 2
I/O Port	LAN x 2 COM x 2 USB 3.2 Gen 1 (Type-C OTG) x 1 (For System Recovery) USB 3.2 Gen 1 x 2 USB 2.0 x 2 HDMI x 1 Audio x 1
Storage Disk Drive	16GB eMMC and Micro-SD card
Expansion Slot	Full-size mini-PCIe slot x 1 (PCIe 3.0 [x1] or mSATA)
OS support	Android™ 12 / Debian
Mechanical	
Construction	Aluminum Front Bezel + Metal Chassis
Mounting	VESA / Panel Mount
Dimension	10.5" x 7.2" x 1.5" (266.9mm x 184.5mm x 40mm)
Carton Dimension	13.3" x 10.2" x 5.9" (339mm x 260mm x 152mm)
Gross Weight	3.5 lb. (1.6Kg)
Environmental	
Operating Temperature	23°F ~131°F (-5°C ~ 50°C) with 0.5 m/s airflow
Storage Temperature	-4°F ~ 140°F (-20°C ~ 60°C)
Storage Humidity	90% @40°C; non-condensing
Vibration	1Grms / 5~ 500Hz / operation
Shock	15 G peak acceleration (11 msec. duration)
EMC	CE/FCC Class A Compatible
Power Supply	
DC Input	DC 12-24V
LCD	
Display Type	10.1" WXGA (1280 x 800) Color TFT LCD Display
Max Resolution	1280 x 800
Max. Colors	262K colors (6 bit for R,G,B)
Luminance	300 nits
Viewing Angle	170° (H) ; 170° (V)
Back Light	LED
Back Light MTBF (Hours)	25,000 Hrs
Touchscreen	
Type	Projected Capacitive Multi-Touch
Light Transmission	90%





Dimension

Unit: mm



Packing List

- ACP-1108
- Panel Mount /Vesa Mount Kit
- Screw Pack

Optional Accessories

Part Number	Description
1255900603	Power Adapter
170X000799	Power Cord (US Type)
170X000800	Power Cord (European Type)
170X000803	Power Cord (Japanese Type)
M041073020	Stand Kit

Ordering Information

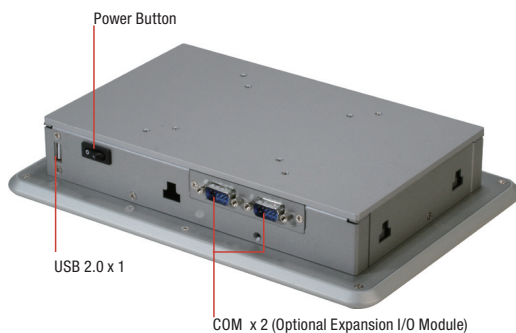
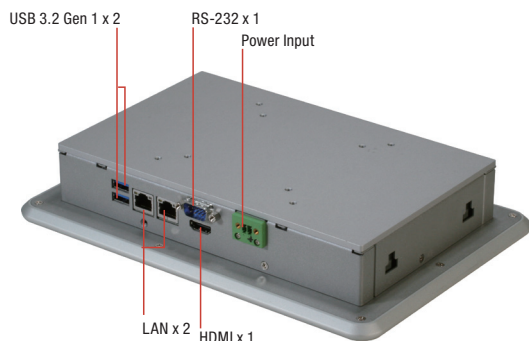
Part Number	Display Type	Resolution	Luminance	View Angle	Backlight MTBF	CPU	LAN	USB	RS-232	RS-232/422/485	Storage	RAM	Display	Expansion	Mounting	Power	Temp	Touch
ACP-1108HTT-A1-1010	10.1" TFT LCD	1280 x 800	300 cd/m ²	170°(H)/170°(V)	25,000	RICO-3568	2	4	1	1	32GB eMMC	LPDDR4 2GB	HDMI x1	Full Size MiniCard x1	VESA / Panel Mount	DC 12-24V	-5°C-50°C	Projected Capacitive Touch
ACP-1108HTT-A2-1010	10.1" TFT LCD	1280 x 800	300 cd/m ²	170°(H)/170°(V)	25,000	RICO-3568	2	4	1	1	32GB eMMC	LPDDR4 4GB	HDMI x1	Full Size MiniCard x1	VESA / Panel Mount	DC 12-24V	-5°C-50°C	Projected Capacitive Touch
ACP-1108HTT-A3-1010	10.1" TFT LCD	1280 x 800	300 cd/m ²	170°(H)/170°(V)	25,000	RICO-3568	2	4	1	1	32GB eMMC	LPDDR4 8GB	HDMI x1	Full Size MiniCard x1	VESA / Panel Mount	DC 12-24V	-5°C-50°C	Projected Capacitive Touch

ACP-1106



10.1" WXGA Multi-Touch Panel PC With Intel® Pentium® N4200/ Celeron® N3350 Processor, 4 GB RAM

All in One Panel PC Solutions: ACP Series



9761107601
USB 2.0 x 2



9761107600
RS-232/422/485 x 2



Features

- 10.1" WXGA (1280 x 800) Color TFT LCD Display
- Intel® Pentium® N4200/ Celeron® N3350 Processor
- Projected Capacitive Multi Touch
- IP65 Compliant Aluminum Front Bezel
- Fanless System
- VESA 75/Panel Mount Support
- DC 9~30V



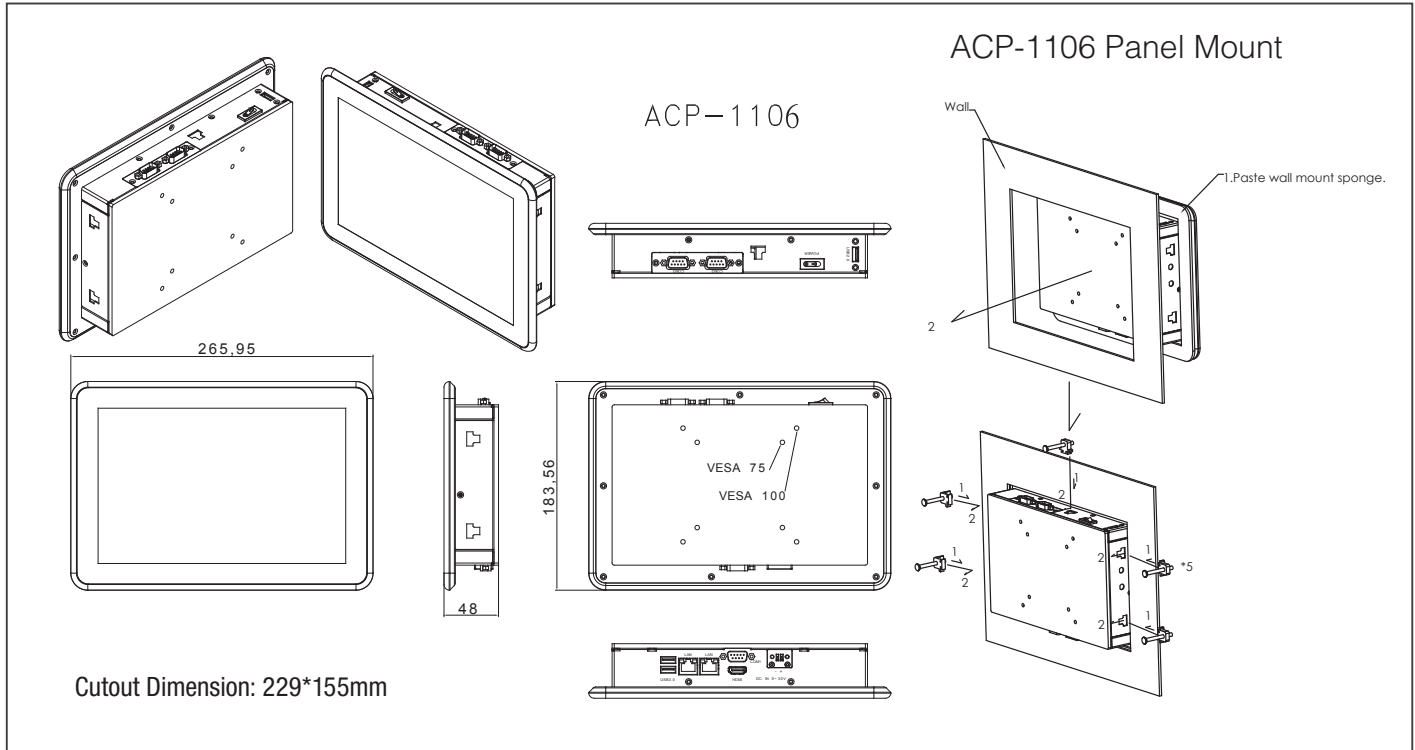
Specifications

System	
Processor	Intel® Pentium® N4200 processor, 1.1 GHz (Quad-Core), Burst frequency 2.5GHz Intel® Celeron® N3350 processor, 1.1 GHz (Dual-Core), Burst frequency 2.4GHz
System Memory	DDR3L 1866, Single Channel SODIMM x 1, Non-ECC (Max.8GB, up to 1600MHz)
LCD/CRT controller	Integrated in processor
Ethernet	10/100/1000 Base-TX, RJ-45 x 2
Bottom I/O Port	DB9 Type RS-232 x 1 USB 3.2 Gen 1 x 2 HDMI x 1 RJ-45 10/100/1000 LAN x 2 2 Pin terminal block for power input
Top I/O Port	Power Button x 1 Type A USB 2.0 x 1 Expansion I/O Slot
Storage Disk Drive	Full Size mSATA x 1
Expansion Slot	Half size mini card x 1(Internal)
OS support	Windows® 10
Mechanical	
Construction	Aluminum Front Bezel + Metal Chassis
Mounting	VESA 75, Panel Mount
Dimension	10.47" x 7.24 x 1.89" (266 x 184 x 48mm)
Carton Dimension	13.38" x 7.64 x 9.96" (340 x 194 x 253mm)
Gross Weight	6.38 lb (2.9 kg)
Environmental	
Operating Temperature	23°F ~ 122°F (-5°C ~ 50°C) with 0.5 m/s airflow
Storage Temperature	-4°F ~ 158°F (-20°C ~ 70°C)
Storage Humidity	90% @40°C; non-condensing
Vibration	1 Grms/ 5~ 500Hz/ operation – with HDD
Shock	15 G peak acceleration (11 msec. duration) – with HDD
EMC	CE/FCC Class A
Power Supply	
DC input	DC 9~30V
LCD	
Display Type	10.1" TFT-LCD, LED
Max Resolution	1280 x 800
Max. Colors	262K colors (6 bit for R,G,B)
Luminance	300 cd/m²
Viewing Angle	170° (H), 170° (V)
Back Light	LED
Back Light MTBF (Hours)	—
Touch Screen	
Type	P-CAP Touchscreen
Light Transmission	90%



Dimension

Unit: mm



Packing List

- Panel Mount Kit
- VESA Screws
- ACP-1106

Optional Accessories

Part Number	Description
170X000799	Power Cord (US Type)
170X000800	Power Cord (European Type)
170X000803	Power Cord (Japanese Type)
M041073020	Stand Kit
9761107600	RS-232/422/485 x 2 (Expansion I/O Module)
9761107601	USB 2.0 x 2 (Expansion I/O Module)
1255300611	2 Pin 60W power adapter

Ordering Information

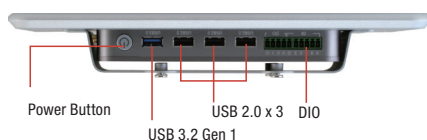
Part Number	Display Type	Max Resolution	Luminance	View Angle	Backlight MTBF	CPU	LAN	USB 3.2 Gen 1	USB 2.0	RS-232	RS-232 /422/485	Storage	RAM	Display	Expansion	Mounting	Power	Temp.	Touch
ACP-1106HTT-A1-1015	10.1" TFT-LCD	1280 x 800	300 cd/m ²	170°(H)/170°(V)	25,000	Intel® Pentium® N4200	2	2	1	1	0	Full Size mSATA x 1	4GB DDR3L RAM Included	HDMI x 1	- Half size mini card slot x 1 - Expansion I/O window x 1	Stand, Panel, VESA 75	DC 9~30V	23°F ~ 122°F (-5°C ~ 50°C) (w/ airflow)	PCAP T/S
ACP-1106HTT-A3-1015	10.1" TFT-LCD	1280 x 800	300 cd/m ²	170°(H)/170°(V)	25,000	Intel® Celeron® N3350	2	2	1	1	0	Full Size mSATA x 1	4GB DDR3L RAM Included	HDMI x 1	- Half size mini card slot x 1 - Expansion I/O window x 1	Stand, Panel, VESA 75	DC 9~30V	23°F ~ 122°F (-5°C ~ 50°C) (w/ airflow)	PCAP T/S
ACP-1106HTT-B1-1015	10.1" TFT-LCD	1280 x 800	300 cd/m ²	170°(H)/170°(V)	25,000	Intel® Pentium® N4200	2	2	1	1	0	Full Size mSATA x 1	4GB DDR3L RAM Included	HDMI x 1	- Half size mini PCIe slot x 1 with WiFi module installed - Expansion I/O window x 1	Stand, Panel, VESA 75	DC 9~30V	23°F ~ 122°F (-5°C ~ 50°C) (w/ airflow)	PCAP T/S
ACP-1106HTT-B3-1015	10.1" TFT-LCD	1280 x 800	300 cd/m ²	170°(H)/170°(V)	25,000	Intel® Celeron® N3350	2	2	1	1	0	Full Size mSATA x 1	4GB DDR3L RAM Included	HDMI x 1	- Half size mini PCIe slot x 1 with WiFi module installed - Expansion I/O window x 1	Stand, Panel, VESA 75	DC 9~30V	23°F ~ 122°F (-5°C ~ 50°C) (w/ airflow)	PCAP T/S



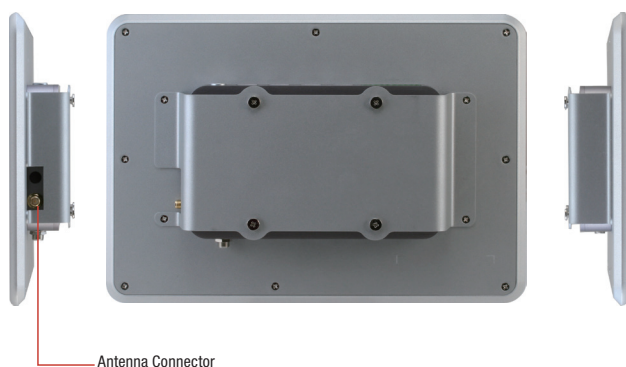
10.1" WXGA Ultra-slim Fanless Multi Touch Panel PC With Intel® Celeron® J1900/ N2807 Processor, 2GB RAM



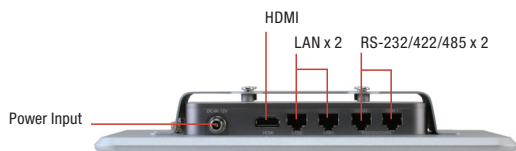
Top I/O Side



Rear Side



Button I/O Side



Features

- 10.1" WXGA (1280 x 800) Color TFT LCD Display
- Intel® Celeron® J1900/ N2807 Processor
- Aluminum Design
- P-CAP Multi-touch
- Fanless Operation
- VESA 75/ Panel Mount/ Stand Support
- IP65 Compliant Front Bezel



Specifications

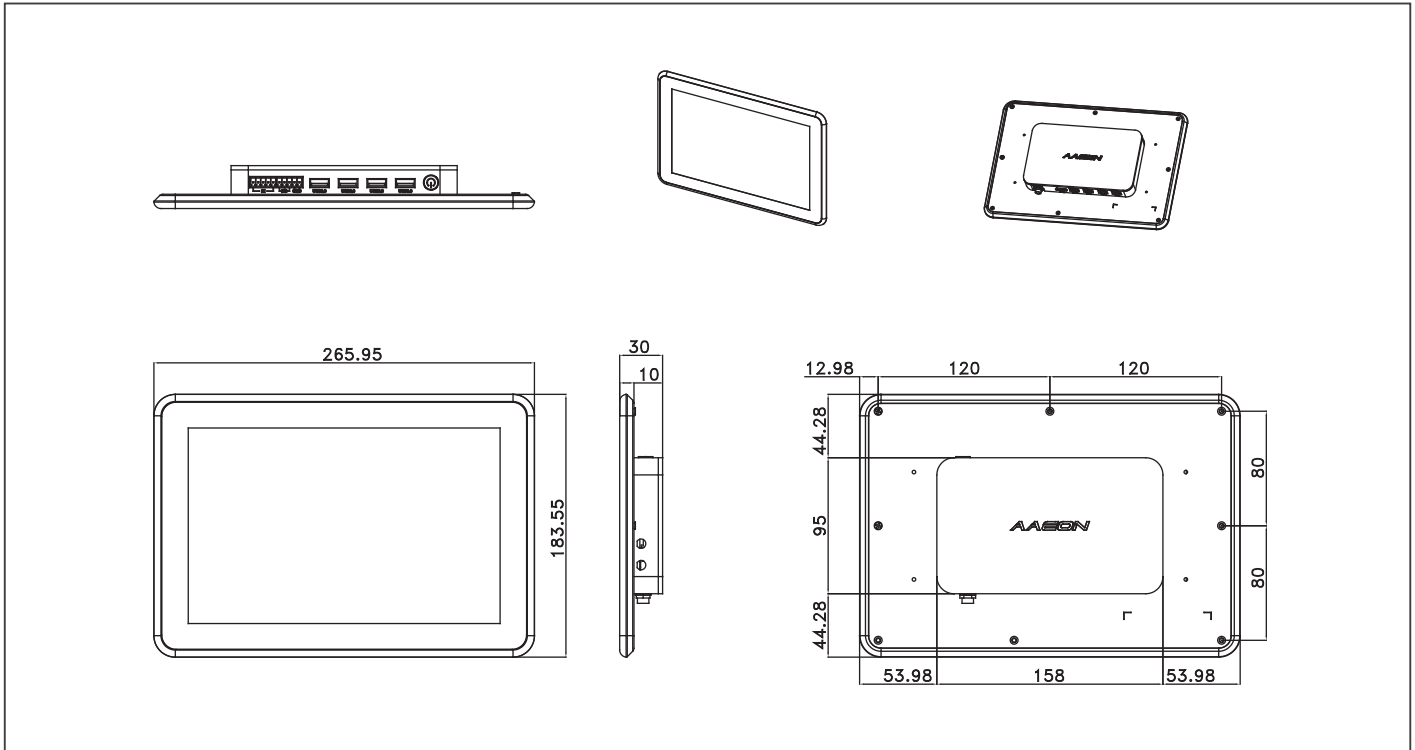
System	
Processor	Intel® Celeron® J1900 processor, 2 GHz Intel® N2807 processor, 1.58 GHz
System Memory	204-pin DDR3L 1333MHz SODIMM x 1, default 2 GB, up to 8 GB (J1900) 204-pin DDR3L 1333MHz SODIMM x 1, default 2 GB, up to 4 GB (N2807)
LCD/CRT controller	Integrated in processor
Ethernet	10/100/1000 Base-TX, RJ-45 x 2
I/O Port	RS-232/422/485 x 2 (RJ-45 connector) USB 2.0 type A x 3 USB 3.2 Gen 1 type A x 1 HDMI x 1 DI/O (4 DI, 2 DO) BIOS selection Power button x 1 Lockable power connector x 1
Storage Disk Drive	Half size mSATA x 1 (Installation by AAeon recommended)
Expansion Slot	Full size Mini-Card x 1
OS support	Windows® 7, Windows® 8.1, Windows® 10
Mechanical	
Front Panel	Aluminum Design
Mounting	VESA 75/ Panel mount/ Stand
Dimension	10.47" x 7.22" x 1.18" (266 x 183.5 x 30mm)
Carton Dimension	13.58" x 7.87" x 9.65" (345 x 200 x 245mm)
Gross Weight	5.5 lb (2.5 kg)
Environmental	
Operating Temperature	32°F ~ 113°F (0°C ~ 45°C) without airflow 32°F ~ 122°F (0°C ~ 50°C) with airflow
Storage Temperature	-4°F ~ 158°F (-20°C ~ 70°C)
Storage Humidity	5%~90% @40°C, non-condensing
Vibration	1 Grms/ 5~ 500Hz/ operation
Shock	15 G peak acceleration (11 msec. duration)
EMC	CE/FCC class A
Power Supply	
DC Input	DC 12V with lockable power adapter
LCD	
Display Type	10.1" TFT-LCD, LED
Max. Resolution	1280 x 800
Max. Colors	262k
Luminance	300 cd/m ²
Viewing Angle	170° (H), 170° (V)
Back Light	LED
Back Light MTBF (Hours)	—
Touchscreen	
Type	Projected capacitive multi-touch
Light Transmission	—





Dimension

Unit: mm



Packing List

- **125530060Y**
Power Adapter, DC12V, 60W
- **1700090156 x 2**
RJ-45 to COM Cable
- **VESA Mount Kit**
- **9741107300**
Panel Mount Kit
- **VESA Screws**
- **ACP-1104**

Optional Accessories

Part Number	Description
170X000799	Power Cord (US Type)
170X000800	Power Cord (European Type)
170X000803	Power Cord (Japanese Type)
M041073020	Stand Kit

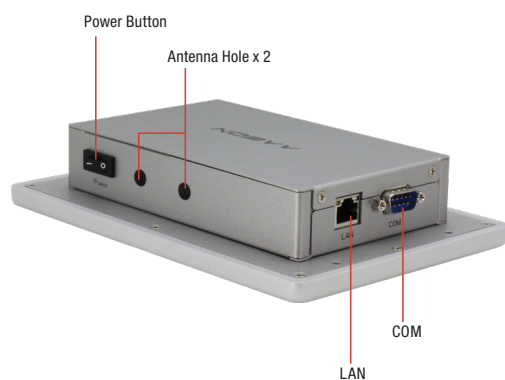
Ordering Information

Part Number	Display Type	Max. Resolution	Luminance	View Angle	Backlight MTBF	CPU	LAN	USB	RS-232	RS-232/422/485	Storage	RAM	Display	Expansion	Mounting	Power	Temp.	Touch
ACP-1104HTT-A1-1015	10.1" TFT-LCD	1280 x 800	300 cd/m ²	170°(H), 170°(V)	25,000	Intel® Celeron® J1900, 2.0 GHz	2	USB 3.2 Gen 1 x 1, USB 2.0 x 3	—	2	Half size mSATA	2GB DDR3L RAM Included	HDMI x 1	—	VESA 75/Stand	DC 12V	32°F ~ 113°F (0°C ~ 45°C) (mSATA, w/o airflow) 32°F ~ 122°F (0°C ~ 50°C) (mSATA, w/ airflow)	Projected Capacitive touch
ACP-1104HTT-B1-1015	10.1" TFT-LCD	1280 x 800	300 cd/m ²	170°(H), 170°(V)	25,000	Intel® Celeron® J1900, 2.0 GHz	2	USB 3.2 Gen 1 x 1, USB 2.0 x 3	—	2	Half size mSATA	2GB DDR3L RAM Included	HDMI x 1	WiFi	VESA 75/Stand	DC 12V	32°F ~ 113°F (0°C ~ 45°C) (mSATA, w/o airflow) 32°F ~ 122°F (0°C ~ 50°C) (mSATA, w/ airflow)	Projected capacitive touch
ACP-1104HTT-A3-1015	10.1" TFT-LCD	1280 x 800	300 cd/m ²	170°(H), 170°(V)	25,000	Intel® Celeron® N2807, 1.58 GHz	2	USB 3.2 Gen 1 x 1, USB 2.0 x 3	—	2	Half size mSATA	2GB DDR3L RAM Included	HDMI x 1	—	VESA 75/Stand	DC 12V	32°F ~ 113°F (0°C ~ 45°C) (mSATA, w/o airflow) 32°F ~ 122°F (0°C ~ 50°C) (mSATA, w/ airflow)	Projected capacitive touch
ACP-1104HTT-B3-1015	10.1" TFT-LCD	1280 x 800	300 cd/m ²	170°(H), 170°(V)	25,000	Intel® Celeron® N2807, 1.58 GHz	2	USB 3.2 Gen 1 x 1, USB 2.0 x 3	—	2	Half size mSATA	2GB DDR3L RAM Included	HDMI x 1	WiFi	VESA 75/Stand	DC 12V	32°F ~ 113°F (0°C ~ 45°C) (mSATA, w/o airflow) 32°F ~ 122°F (0°C ~ 50°C) (mSATA, w/ airflow)	Projected capacitive touch

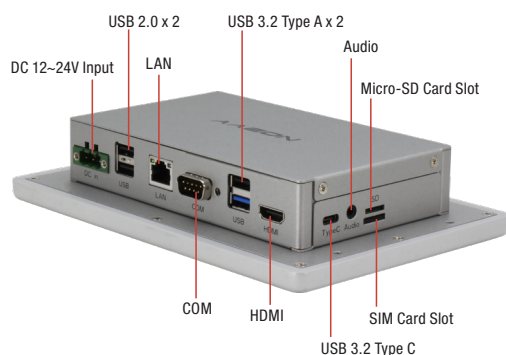
Front View



Top View



Bottom View



Features

- 7" WSVGA (1024 x 600) Color TFT LCD Display
- Projected Capacitive Touch Screen
- IP65 Compliant Aluminum Front Bezel
- Fanless System
- VESA/Panel Mount Support
- LAN x 2, COM x 2, USB 3.2 Gen1 (Type A) x 2, USB 2.0 x 2
- USB 3.2 Gen1 (Type C) x 1
- HDMI x 1, Audio x 1
- Full-size mini-PCIe Slot x 1
- DC 12~24V

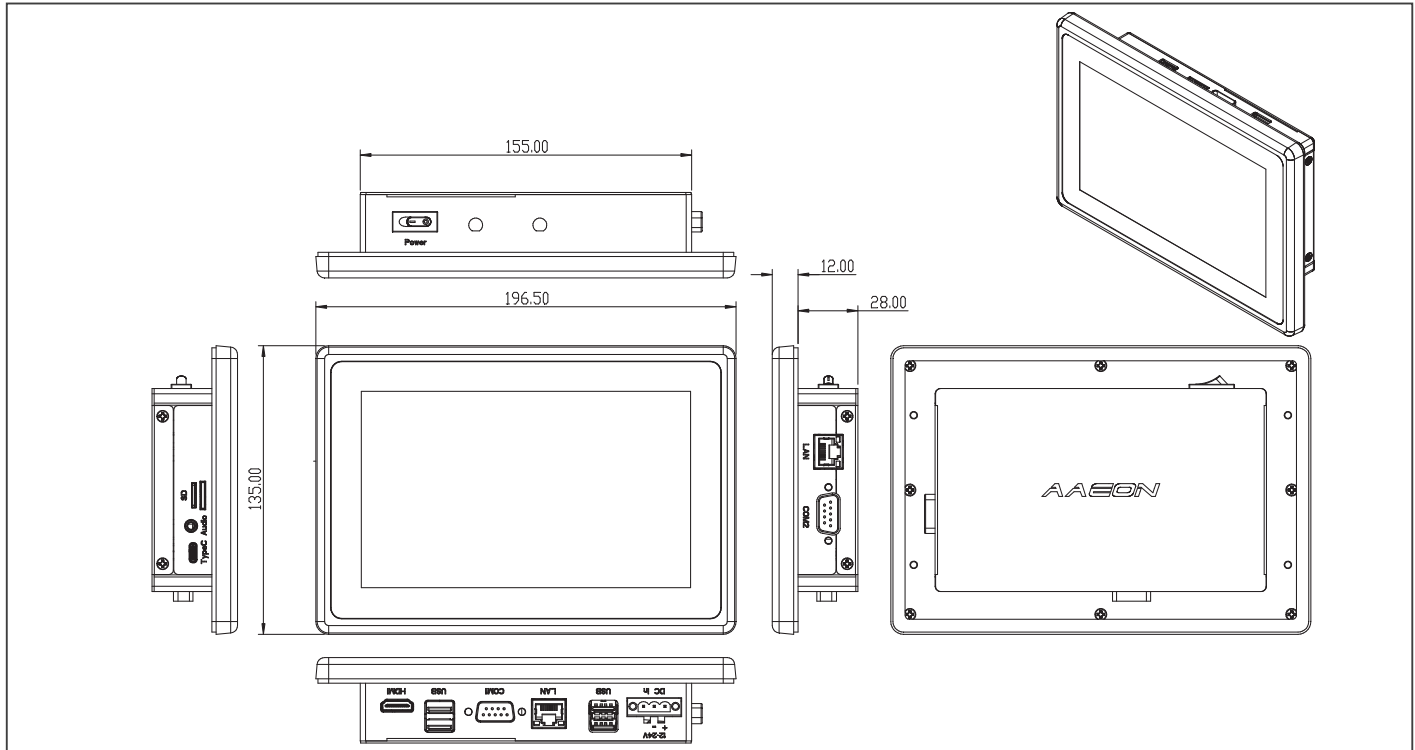


System	
Processor	Rockchip™ RK3568 Quad-Core Arm® Cortex®-A55 Processor
System Memory	LPDDR4 2GB/4GB (Optional)
LCD/CRT controller	—
Ethernet	10/100/1000 Base TX x2
I/O Port	LAN x 2 COM x 2 USB 3.2 Gen 1 (Type C OTG) x 1 (For System Recovery) USB 3.2 Gen 1 x 2 USB 2.0 x 2 HDMI x 1 Audio x 1
Storage Disk Drive	16GB eMMC and Micro-SD card
Expansion Slot	Full-size mini-PCIe slot x 1 (PCIe 3.0 [x1] or mSATA)
OS support	Android™ 12 / Debian
Mechanical	
Construction	Aluminum Front Bezel + Metal Chassis
Mounting	VESA / Panel Mount
Dimension	7.7" x 5.3" x 1.5" (196.5mm x 135mm x 40mm)
Carton Dimension	11.0" x 8.7" x 6.1" (280mm x 220mm x 154mm)
Gross Weight	2.2 lb. (1.0Kg)
Environmental	
Operating Temperature	23°F ~131°F (-5°C ~ 50°C) with 0.5 m/s airflow
Storage Temperature	-4°F ~ 140°F (-20°C ~ 60°C)
Storage Humidity	90% @40°C; non-condensing
Vibration	1Grms / 5~ 500Hz / operation
Shock	15 G peak acceleration (11 msec. duration)
EMC	CE/FCC Class A Compatible
Power Supply	
DC Input	DC 12~24V
LCD	
Display Type	7" WSVGA (1024 x 600) Color TFT LCD Display
Max Resolution	1024 x 600
Max. Colors	16.7M
Luminance	320 nits
Viewing Angle	145° (H); 150° (V)
Back Light	LED
Back Light MTBF (Hours)	20,000 Hrs
Touchscreen	
Type	Projected Capacitive Multi-Touch
Light Transmission	90%



Dimension

Unit: mm



Packing List

- ACP-1078
- Panel Mount /Vesa Mount Kit
- Screw Pack

Optional Accessories

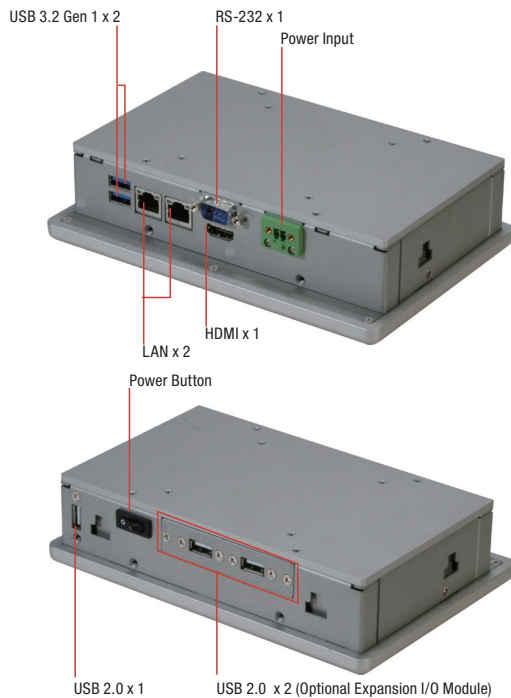
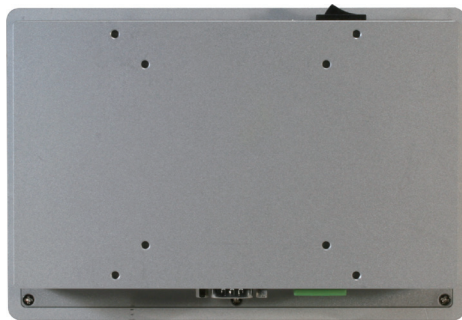
Part Number	Description
1255900603	Power Adapter
170X000799	Power Cord (US Type)
170X000800	Power Cord (European Type)
170X000803	Power Cord (Japanese Type)
M041073020	Stand Kit

Ordering Information

Part Number	Display Type	Resolution	Luminance	View Angle	Backlight MTBF	CPU	LAN	USB	RS-232	RS-232/422/485	Storage	RAM	Display	Expansion	Mounting	Power	Temp	Touch
ACP-1078HTT-A1-1010	7" TFT LCD	1024 x 600	320 cd/m ²	145°(H) / 150°(V)	20,000	RICO-3568	2	4	1	1	32GB eMMC	LPDDR4 2GB	HDMI x1	Full Size MiniCard x1	VESA / Panel Mount	DC 12~24V	-5°C~50°C	Projected Capacitive Touch
ACP-1078HTT-A2-1010	7" TFT LCD	1024 x 600	320 cd/m ²	145°(H) / 150°(V)	20,000	RICO-3568	2	4	1	1	32GB eMMC	LPDDR4 4GB	HDMI x1	Full Size MiniCard x1	VESA / Panel Mount	DC 12~24V	-5°C~50°C	Projected Capacitive Touch
ACP-1078HTT-A3-1010	7" TFT LCD	1024 x 600	320 cd/m ²	145°(H) / 150°(V)	20,000	RICO-3568	2	4	1	1	32GB eMMC	LPDDR4 8GB	HDMI x1	Full Size MiniCard x1	VESA / Panel Mount	DC 12~24V	-5°C~50°C	Projected Capacitive Touch



7" WSVGA Multi-Touch Panel PC With Intel® Pentium® N4200/ Celeron® N3350 Processor, 4 GB RAM



9761107601
USB 2.0 x 2



9761107600
RS-232/422/485 x 2



Features

- 7" WSVGA (1024 x 600) Color TFT LCD Display
- Intel® Pentium® N4200/ Celeron® N3350 Processor
- Projected Capacitive Multi Touch (2 Fingers)
- IP65 Compliant Aluminum Front Bezel
- Fanless System
- VESA 75/ Panel Mount Support
- DC 9~30V



Specifications

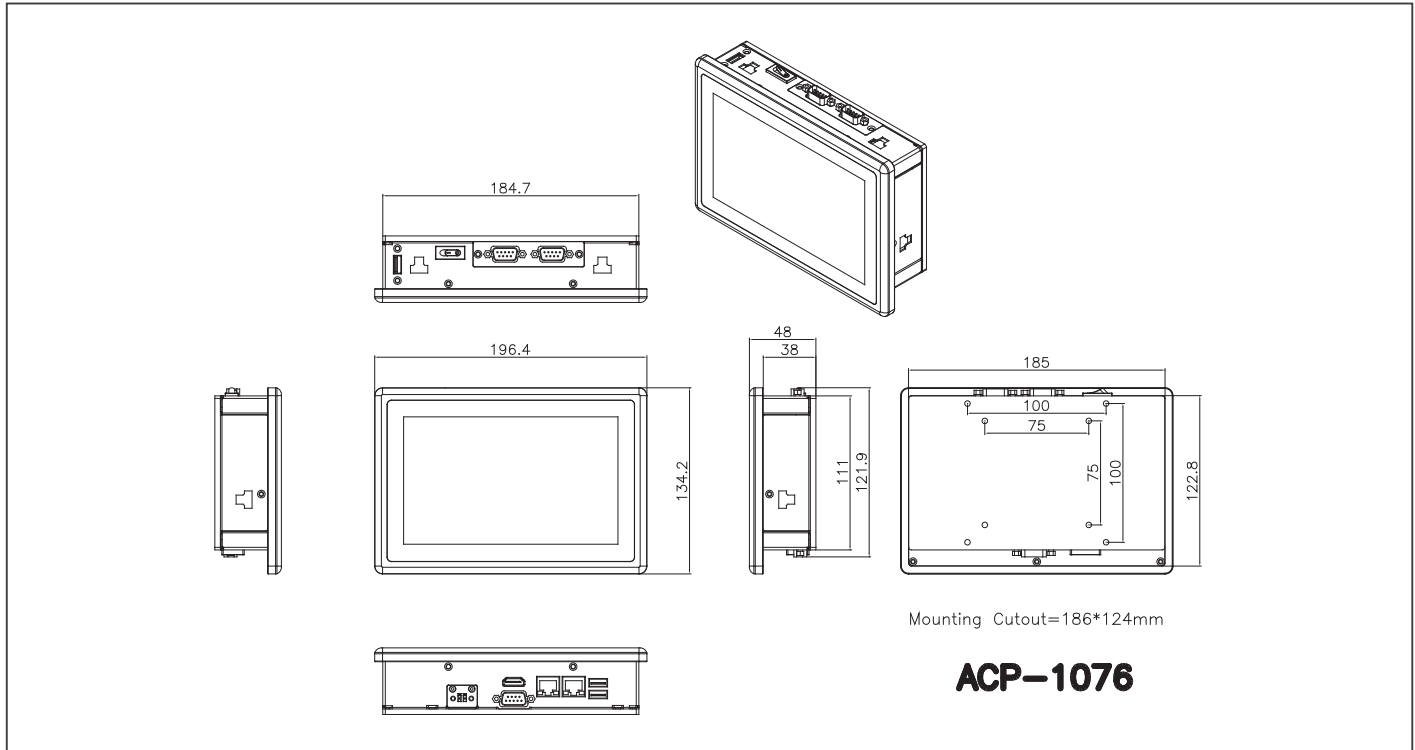
System	
Processor	Intel® Pentium®N4200 processor, 1.1 GHz (Quad-Core), Burst frequency 2.5GHz Intel® Celeron® N3350 processor, 1.1 GHz (Dual-Core), Burst frequency 2.4GHz
System Memory	DDR3L 1866, Single Channel SODIMM x 1, Non-ECC (Max.8GB, up to 1600MHz)
LCD/CRT controller	Integrated in processor
Ethernet	10/100/1000 Base-TX, RJ-45 x 2
Bottom I/O Port	DB9 Type RS-232 x 1 USB 3.2 Gen 1 x 2 HDMI x 1 RJ-45 10/100/1000 LAN x 2 2 Pin terminal block for power input
Top I/O Port	Power Button x 1 Type A USB 2.0 x 1 Expansion I/O Slot
Storage Disk Drive	Full Size mSATA x 1
Expansion Slot	Half size mini card x 1(Internal)
OS support	Windows® 10
Mechanical	
Construction	Aluminum Front Bezel + Metal Chassis
Mounting	VESA 75, Panel Mount
Dimension	7.72" x 5.28" x 1.89" (196 x 134 x 48 mm)
Carton Dimension	10.87" x 9.41" x 6.69" (276 x 239 x 170 mm)
Gross Weight	4.62 lb (2.1 Kg)
Environmental	
Operating Temperature	23°F ~ 122°F (-5°C ~ 50°C) with 0.5 m/s airflow
Storage Temperature	-4°F ~ 158°F (-20°C ~ 70°C)
Storage Humidity	90% @40°C; non-condensing
Vibration	1 Grms/ 5~ 500Hz/ operation – with HDD
Shock	15 G peak acceleration (11 msec. duration) – with HDD
EMC	CE/FCC Class A
Power Supply	
DC input	DC 9~30V
LCD	
Display Type	7" TFT-LCD, LED
Max Resolution	1024 x 600
Max. Colors	16.7M
Luminance	320 cd/m ²
Viewing Angle	150° (H), 145° (V)
Back Light	LED
Back Light MTBF (Hours)	20,000
Touch Screen	
Type	P-CAP Touchscreen
Light Transmission	90%





Dimension

Unit: mm



Packing List

- Panel Mount Kit
- VESA Screws
- ACP-1076

Optional Accessories

Part Number	Description
170X000799	Power Cord (US Type)
170X000800	Power Cord (European Type)
170X000803	Power Cord (Japanese Type)
M041073020	Stand Kit
9761107600	RS-232/422/485 x 2 (Expansion I/O Module)
9761107601	USB 2.0 x 2 (Expansion I/O Module)
1255300611	2 Pin 60W power adapter

Ordering Information

Part Number	Display Type	Max Resolution	Luminance	View Angle	Backlight MTBF	CPU	LAN	USB 3.2 Gen 1	USB 2.0	RS-232	RS-232 /422/485	Storage	RAM	Display	Expansion	Mounting	Power	Temp.	Touch
ACP-1076HTT-A1-1015	7" TFT-LCD	1024 x 600	320 cd/m ²	150(H) / 145(V)	20,000	Intel® Pentium N4200	2	2	1	1	0	Full Size mSATA x 1	4GB DDR3L RAM Included	HDMI x 1	- Half size mini PCIe slot x 1 - Expansion I/O window x 1	Stand, Panel, VESA 75	DC 9~30V	23°F ~ 122°F (-5°C ~ 50°C) (w/ airflow)	PCAP T/S
ACP-1076HTT-A3-1015	7" TFT-LCD	1024 x 600	320 cd/m ²	150(H) / 145(V)	20,000	Intel® Celeron N3350	2	2	1	1	0	Full Size mSATA x 1	4GB DDR3L RAM Included	HDMI x 1	- Half size mini PCIe slot x 1 - Expansion I/O window x 1	Stand, Panel, VESA 75	DC 9~30V	23°F ~ 122°F (-5°C ~ 50°C) (w/ airflow)	PCAP T/S
ACP-1076HTT-B1-1015	7" TFT-LCD	1024 x 600	320 cd/m ²	150(H) / 145(V)	20,000	Intel® Pentium N4200	2	2	1	1	0	Full Size mSATA x 1	4GB DDR3L RAM Included	HDMI x 1	- Half size mini PCIe slot x 1 with WiFi module installed - Expansion I/O window x 1	Stand, Panel, VESA 75	DC 9~30V	23°F ~ 122°F (-5°C ~ 50°C) (w/ airflow)	PCAP T/S
ACP-1076HTT-B3-1015	7" TFT-LCD	1024 x 600	320 cd/m ²	150(H) / 145(V)	20,000	Intel® Celeron N3350	2	2	1	1	0	Full Size mSATA x 1	4GB DDR3L RAM Included	HDMI x 1	- Half size mini PCIe slot x 1 with WiFi module installed - Expansion I/O window x 1	Stand, Panel, VESA 75	DC 9~30V	23°F ~ 122°F (-5°C ~ 50°C) (w/ airflow)	PCAP T/S



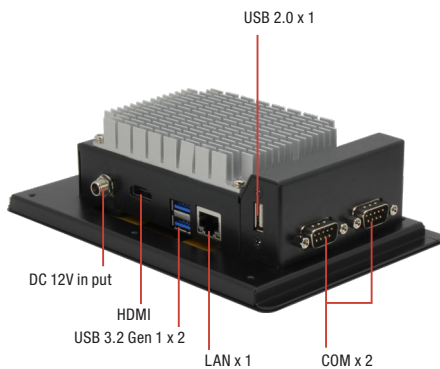
Front View



Top View

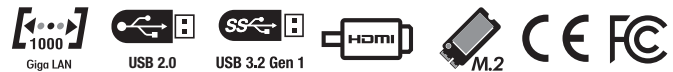


Bottom View



Features

- 7" WSVGA (1024 x 600) Color TFT LCD Display
- Projected Capacitive Touch Screen
- Fanless System
- Onboard LPDDR3L 4GB (2GB Optional)
- Onboard eMMC 64GB (16GB/32GB Optional)
- LAN x 1, COM x 2, USB 3.2 Gen 1 (Type-A) x 2, USB 2.0 x 1
- HDMI x 1
- M.2 2280 B-Key x 1, M.2 2230 E-Key x 1
- DC 12V



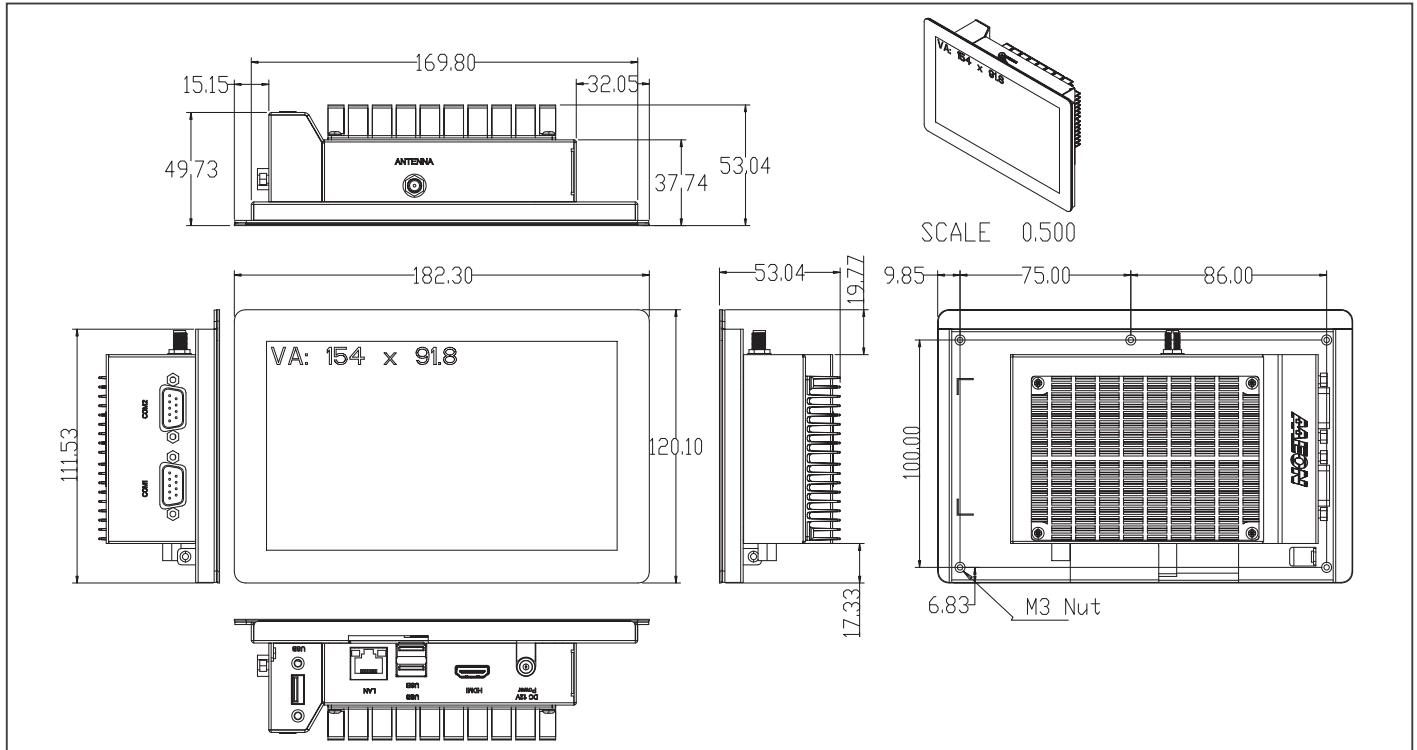
System	
Processor	Intel® Pentium® Processor N4200 Intel® Celeron® Processor N3350
System Memory	Onboard LPDDR3L 4GB (2GB Optional)
LCD/CRT controller	—
Ethernet	GbE x 1
I/O Port	LAN x 1 COM x 2 USB 3.2 Gen 1 (Type-A) x 2 USB 2.0 x 1 HDMI x 1
Storage Disk Drive	Onboard 64GB eMMC (Optional: 16GB/32GB)
Expansion Slot	M.2 2280 B-Key x 1, M.2 2230 E-Key x 1
OS support	Windows® 10 (64-bit)
Mechanical	
Construction	SECC
Mounting	—
Dimension	7.18" x 4.73" x 2.09" (182.3mm x 120.1mm x 53.04mm)
Carton Dimension	14.17" x 9.65" x 4.65" (360mm x 245mm x 118mm)
Gross Weight	1.9 lb. (0.88Kg)
Environmental	
Operating Temperature	32°F ~ 131°F (0°C ~ 55°C) with 0.5 m/s airflow
Storage Temperature	32°F ~ 149°F (0°C ~ 65°C)
Storage Humidity	90% @40°C; non-condensing
Vibration	1 Grms/ 5~ 500Hz/ operation –with HDD
Shock	15 G peak acceleration (11 msec. duration) –with HDD
EMC	CE/FCC Class A
Power Supply	
DC Input	DC 12V
LCD	
Display Type	7" WSVGA Color TFT LCD Display
Max Resolution	1024 x 600
Max. Colors	16.7M
Luminance	320 nits
Viewing Angle	145° (H) ; 150° (V)
Back Light	LED
Back Light MTBF (Hours)	20,000 Hrs
Touchscreen	
Type	Projected Capacitive Multi-Touch
Light Transmission	>=86%





Dimension

Unit: mm



Packing List

- **ACP-1075**
- **125530060Y**
60W Lockable Power Adapter
- **9651107510**
Panel Mount Kit
- **Screw Pack**

Optional Accessories

Part Number	Description
170X000799	Power Cord (US Type)
170X000800	Power Cord (European Type)
170X000803	Power Cord (Japanese Type)

Ordering Information

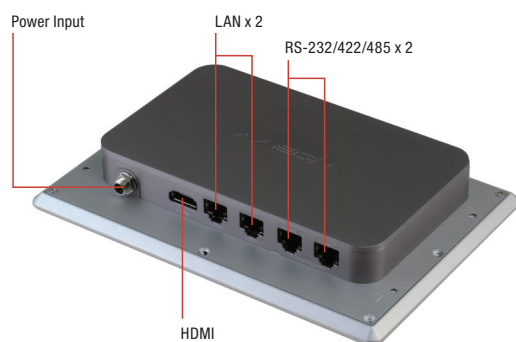
Part Number	Display Type	Max Resolution	Luminance	View Angle	Backlight MTBF	CPU	LAN	USB 3.2 Gen 1	USB 2.0	RS-232	RS-232 /422/485	Storage	RAM	Display	Expansion	Mounting	Power	Temp.	Touch
ACP-1075HTT-A1-1010	7" TFT LCD	1024 x 600	320 cd/m ²	145°(H) / 150°(V)	20,000	Intel® Pentium N4200	1	2	1	2	—	64GB eMMC	onBoard 4GB	HDMI x1	M.2 2230 E Key / 2280 B Key x1	Panel Mount	DC 12V	0°C ~ 55°C	Projected Capacitive Touch
ACP-1075HTT-A3-1010	7" TFT LCD	1024 x 600	320 cd/m ²	145°(H) / 150°(V)	20,000	Intel® Celeron N3350	1	2	1	2	—	64GB eMMC	onBoard 4GB	HDMI x1	M.2 2230 E Key / 2280 B Key x1	Panel Mount	DC 12V	0°C ~ 55°C	Projected Capacitive Touch

7" WSVGA Ultra-slim Fanless Multi Touch Panel PC with Intel® Celeron® J1900/ N2807 Processor, 2GB RAM

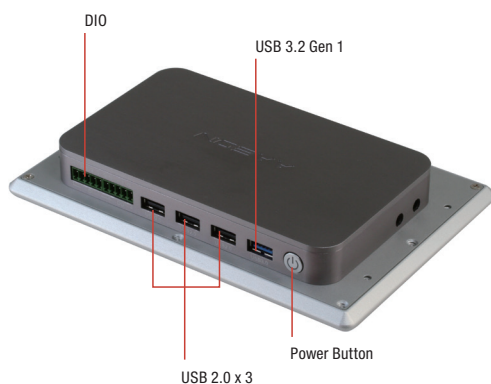
Front View



Top View



Bottom View



Features

- 7" WSVGA (1024 x 600) Color TFT LCD Display
- Intel® N2807/J1900 Processor
- Wide Flatscreen with P-CAP Multi-Touch (2-point)
- 7H Anti-scratch Surface
- Aluminum Design
- IP65 Compliant
- Fanless Operation
- VESA 75/Panel Mount/ Stand Support



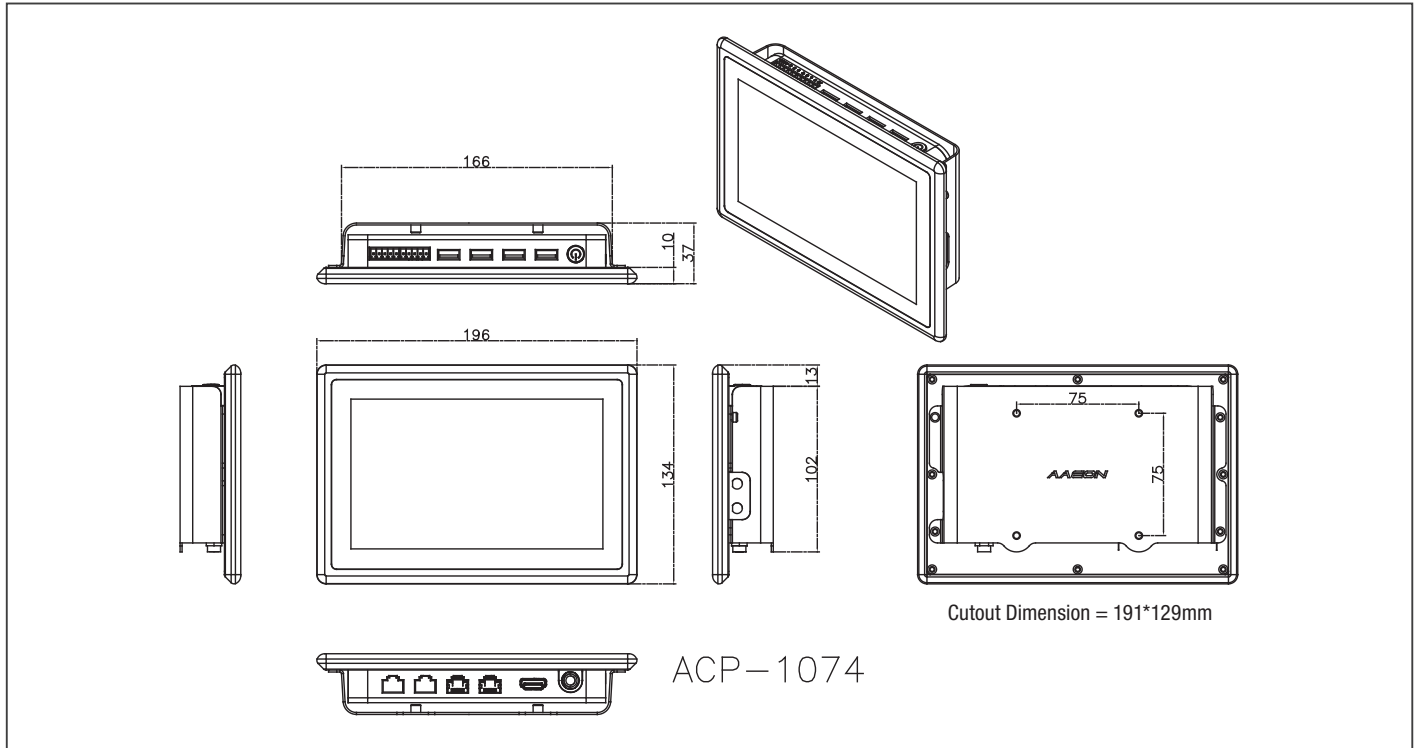
System	
Processor	Intel® N2807 processor, 1.58 GHz Intel® Celeron® J1900 processor, 2 GHz
System Memory	204-Pin DDR3L SODIMM x 1, default 2GB, up to 8 GB (J1900) 204-Pin DDR3L SODIMM x 1, default 2GB, up to 4 GB (N2807)
LCD/CRT controller	Integrated in processor
Ethernet	10/100/1000 Base-TX, RJ-45 x 2
I/O Port	RJ-45 type RS-232/422/485 x 2 USB 2.0 x 3 USB 3.2 Gen 1 x 1 HDMI x 1 DI/O (4DI, 2DO) BIOS Selection Lockable power input connector Power switch x 1
Storage Disk Drive	Half size mSATA storage x 1 (Installation by AAEON recommended)
Expansion Slot	Full size Mini-Card x 1
OS support	Windows® 7, Windows® 8.1, Windows® 10, Linux kernel 2.6.3 or higher
Mechanical	
Construction	Aluminum Design
Mounting	VESA 75/ Panel mount/ Stand
Dimension	7.71" x 5.27" x 1.18" (196mm x 134mm x 30mm)
Carton Dimension	13.58" x 7.87" x 9.64" (345mm x 200mm x 245mm)
Gross Weight	4.8 lb (2.2 kg)
Environmental	
Operating Temperature	32°F ~ 122°F (0°C ~ 50°C) without airflow 23°F ~ 131°F (-5°C ~ 55°C) with airflow
Storage Temperature	-4°F ~ 158°F (-20°C ~ 70°C)
Storage Humidity	5%~90% @40°C, non-condensing
Vibration	1 Grms/ 5~ 500Hz/ operation – with HDD
Shock	15G peak acceleration (11 msec. duration) – with HDD
EMC	CE/FCC class A
Power Supply	
DC Input	DC12V, with lockable power adapter
LCD	
Display Type	7" TFT-LCD, LED
Max Resolution	1024 x 600
Max. Colors	16.7M
Luminance	320 cd/m ²
Viewing Angle	150° (H), 145° (V)
Back Light	LED
Back Light MTBF (Hours)	20,000
Touchscreen	
Type	Projected capacitive multi-touch (2-point)
Light Transmission	90%





Dimension

Unit: mm



Cutout Dimension = 191*129mm

ACP-1074

Packing List

- **125530060Y**
Power Adapter, DC12V, 60W
- **1700090156 x 2**
RJ-45 to COM Cable
- **VESA Mount Kit**
- **Panel Mount Kit**
- **VESA Screws**
- **ACP-1074**

Optional Accessories

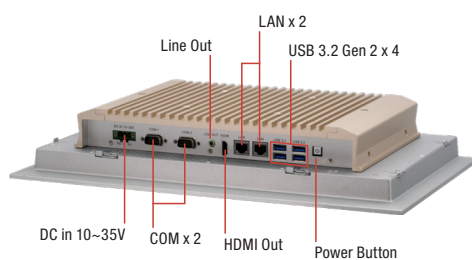
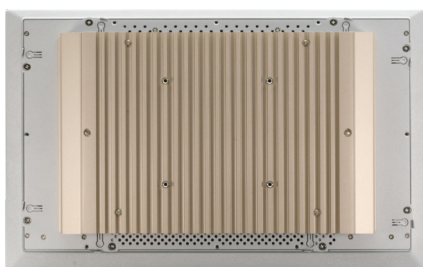
Part Number	Description
170X000799	Power Cord (US Type)
170X000800	Power Cord (European Type)
170X000803	Power Cord (Japanese Type)
M041073020	Stand Kit

Ordering Information

Part Number	Display Type	Max Resolution	Luminance	View Angle	Backlight MTBF	CPU	LAN	USB 3.2 Gen 1	USB 2.0	RS-232	RS-232 /422/485	Storage	RAM	Display	Expansion	Mounting	Power	Temp.	Touch
ACP-1074HTT-A1-1014	7" TFT-LCD	1024 x 600	320 cd/m ²	150°(H)/145°(V)	20,000	Intel® Celeron® J1900, 2 GHz	2	1	3	—	2	Half Size mSATA x 1	2GB DDR3L RAM Included	HDMI x 1	—	Panel Mount/ VESA 75/ Stand	DC 12V	0°C ~ 50°C (w/o airflow) -3°F ~ 131°F (-5°C ~ 55°C) (w/ airflow)	Projected Capacitive multi-touch (2-point)
ACP-1074HTT-A3-1014	7" TFT-LCD	1024 x 600	320 cd/m ²	150°(H)/145°(V)	20,000	Intel® N2807, 1.58 GHz	2	1	3	—	2	Half Size mSATA x 1	2GB DDR3L RAM Included	HDMI x 1	—	Panel Mount/ VESA 75/ Stand	DC 12V	0°C ~ 50°C (w/o airflow) -3°F ~ 131°F (-5°C ~ 55°C) (w/ airflow)	Projected Capacitive multi-touch (2-point)
ACP-1074HTT-B1-1014	7" TFT-LCD	1024 x 600	320 cd/m ²	150°(H)/145°(V)	20,000	Intel® Celeron® J1900, 2 GHz	2	1	3	—	2	Half Size mSATA x 1	2GB DDR3L RAM Included	HDMI x 1	WiFi	Panel Mount/ VESA 75/ Stand	DC 12V	0°C ~ 50°C (w/o airflow) -3°F ~ 131°F (-5°C ~ 55°C) (w/ airflow)	Projected Capacitive multi-touch (2-point)
ACP-1074HTT-B3-1014	7" TFT-LCD	1024 x 600	320 cd/m ²	150°(H)/145°(V)	20,000	Intel® N2807, 1.58 GHz	2	1	3	—	2	Half Size mSATA x 1	2GB DDR3L RAM Included	HDMI x 1	WiFi	Panel Mount/ VESA 75/ Stand	DC 12V	0°C ~ 50°C (w/o airflow) -3°F ~ 131°F (-5°C ~ 55°C) (w/ airflow)	Projected Capacitive multi-touch (2-point)



15.6" HMI Panel PC with 10th Generation Intel® Core™ / Celeron® Processor



Features

- 15.6" (1366 x 768) TFT LCD Display
- Extreme Computing Power & Graphic Display Capability
- DDR4 slot x 2, up to 64GB
- Support High Speed NVMe storage (M.2 2280)
- GbE LAN x 2, RS232/422/485 x 2
- USB 3.2 Gen 2 x 4
- Supports Intel® AMT
- Wide Range 10~35V DC input
- 0 ~ 45°C Operating Temperature



Specifications

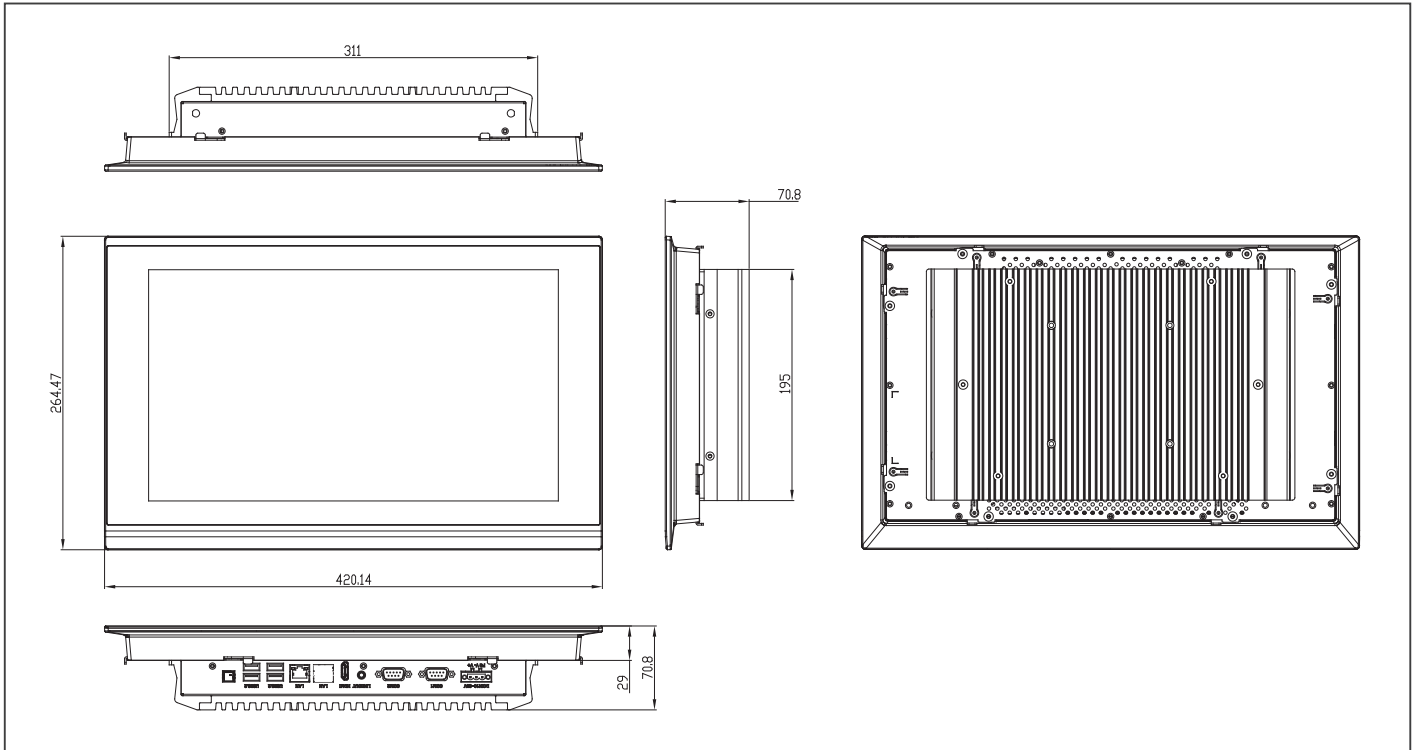
System	
Processor	Intel® Core™ i9-10900TE Intel® Core™ i7-10700TE Intel® Core™ i5-10500TE Intel® Core™ i3-10100TE Intel® Celeron® G5900TE
System Memory	DDR4 S0-DIMM x 2, up to 64GB
LCD/CRT Controller	—
Ethernet	Intel® i211 x 1, i219 x 1
I/O Port	USB 3.2 Gen 2 x 4 RJ-45 x 2 for GbE LAN (i211-AT x 1, i219-LM x 1) HDMI x 1 Line out x 1 DB-9 x 2 for RS-232/422/485 3 pin 10~35V Power Input x 1 Power Button with LED x 1
Storage Disk Drive	M.2 2280 slot x 1 PCIe 3.0 [x4], NVMe support 2.5" SATA SSD/HDD bay x 1
Expansion Slot	M.2 2230 E Key x 1, M.2 2280 B Key x 1 Full-Size Mini Card x 1 (mSATA/PCIe switch by BIOS, default PCIe), SIM x 1
OS Support	Windows® 10 IoT Enterprise 64-bit, Linux Ubuntu 20.04
Mechanical	
Construction	Aluminum Design (IP65 Front Frame)
Mounting	VESA 100 / Panel Mount
Dimension	16.54" x 10.41" x 2.79" (420.14mm x 264.47mm x 70.8 mm)
Carton Dimension	20.86" x 17.51" x 7.87" (530mm x 445mm x 200mm)
Gross Weight	14.88 lb (6.75 Kg)
Environmental	
Operating Temperature	32°F ~ 113°F (0°C ~ 45°C) (35W CPU), according to IEC68-2-14 with 0.5 m/s AirFlow
Storage Temperature	-4°F ~ 158°F (-20°C ~ 70°C)
Storage Humidity	90% @40°C; non-condensing
Vibration	1 Grms/ 5~500Hz/random operation
Shock	15 G peak acceleration (11 msec. duration)
EMC	CE/FCC class A
Power Supply	
DC input	10~35V DC-in with 3-pin terminal block
LCD	
Display Type	15.6" TFT-LCD, LED
Max Resolution	1366 (H) x 768 (V)
Max. Colors	16.7M (8 bit/color)
Luminance	400 cd/m ²
Viewing Angle	170° (H), 130° (V)
Back Light	LED
Back Light MTBF (Hours)	50,000
Touchscreen	
Type	Flat 5-wire Resistive / P-CAP Multi Touch
Light Transmission	80% ± 3% / 88% ± 2%





Dimension

Unit: mm



Packing List

- Phoenix Power Connector x 1
- OMNI-2155-CML x 1

Optional Accessories

Part Number	Description
AP-OT9789LA1000	LCD Monitor Stand 230mm, LA-100
170X000799	Power Cord (US Type)
170X000800	Power Cord (European Type)
170X000803	Power Cord (Japanese Type)
1255X00059	120W Power Adapter
1255302300	230W Power Adapter

Ordering Information

Part Number	Display Type	Max Resolution	Luminance	View Angle	Backlight MTBF (Hours)	CPU	LAN	USB 2.0	USB 3.2 Gen 2	RS-232	RS-485/422/232	Storage	RAM	Display	Expansion	Mounting	Power	Temp.	Touch
OMNI-2155HTT-CML-A2-1010	15.6" TFT LCD	1366 x 768	400 cd/m ²	170°(H) 130°(V)	50,000	Intel® Core™ i9-10900TE Intel® Core™ i7-10700TE Intel® Core™ i5-10500TE Intel® Core™ i3-10100TE Intel® Celeron® G5900TE	2	—	4	—	2	M.2 2280 slot x 1 (PCIex4), 2.5" SATA SSD/HDD bay x 1	DDR4 SODIMM x 2, up to 64GB	HDMI x 1	M.2 2230 E Key x 1 Full-Size Mini Card x 1	VESA 100 / Panel Mount	10-35V DC-in with 3-pin terminal block	0°C – 45°C with 0.5m/s airflow	Projected Capacitive multitouch

05



ES France - Mobilité & Systèmes Embarqués
127 rue de Buzenval BP 26 - 92380 Garches



Tél. 01 47 95 99 80
Fax. 01 47 01 16 22

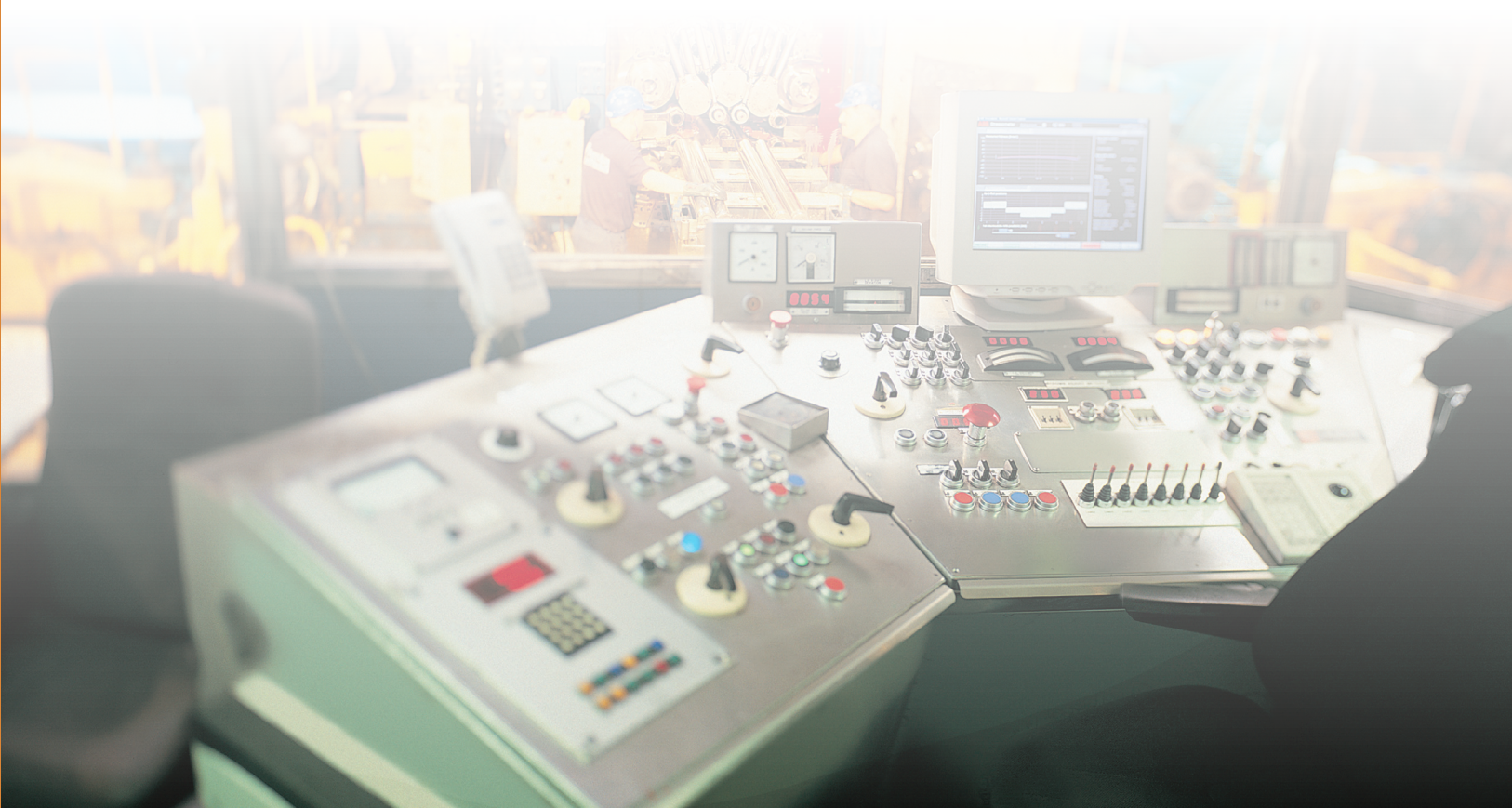


e-mail : mse@es-france.com
Site Web : www.es-france.com

05

OMNI Series : Modular Builder

Refer to the product introduction on page 00-25 to learn how to order



ES France - Mobilité & Systèmes Embarqués
127 rue de Buzenval BP 26 - 92380 Garches



Tél. 01 47 95 99 80
Fax. 01 47 01 16 22



e-mail : mse@es-france.com
Site Web : www.es-france.com



Features

- 15.6" (1920x1080) / (1366x768) OMNI Modular Touch/ LCD Kit
- Supports Projected Capacitive Multi Touch or Resistive Touch Screen
- IP65 Compliant Aluminum Front Bezel



Specifications

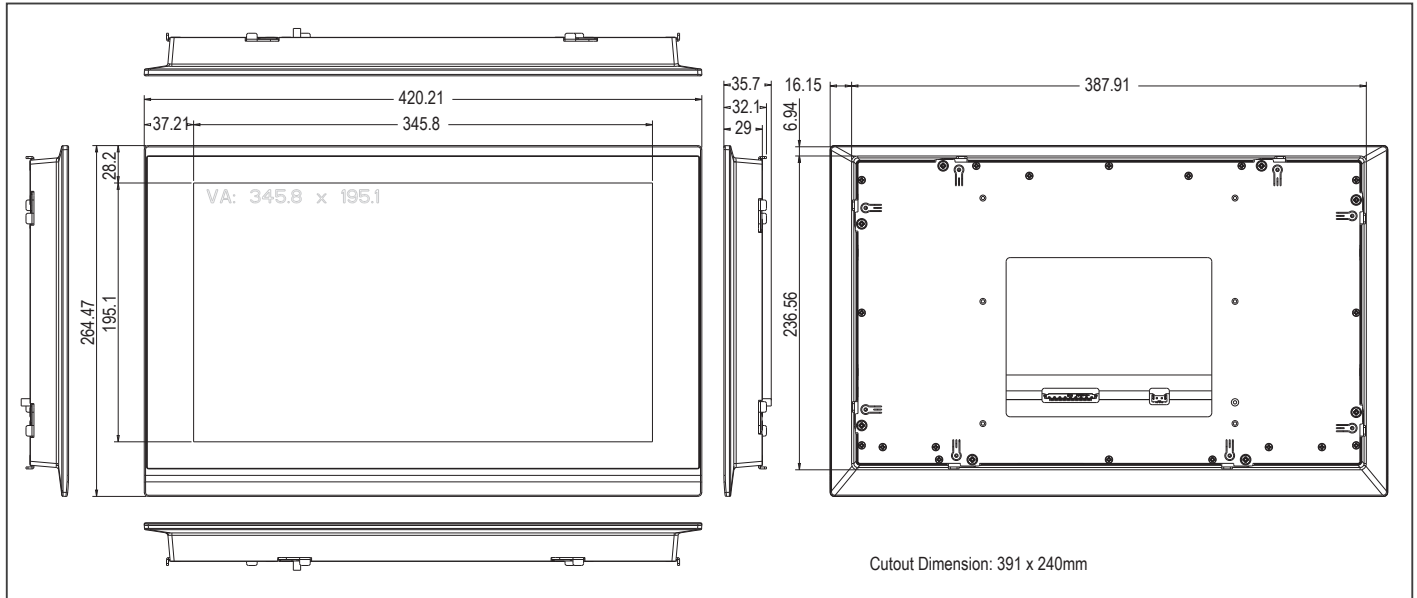
Mechanical	
Construction	Aluminum Front Bezel
Mounting	Panel Mount
Dimension	16.54" x 10.39" x 1.14" (420mm x 264mm x 29mm)
Carton Dimension	20.47" x 17.13" x 7.09" (520mm x 435mm x 180mm)
Gross Weight	11 lb (5 kg)
Environmental	
Operating Temperature	-4°F ~ 122°F (-20°C ~ 50°C) with 0.5 m/s airflow
Storage Temperature	-4°F ~ 140°F (-20°C ~ 60°C)
Storage Humidity	90% @40°C; non-condensing
Vibration	1 Grms/ 5~ 500Hz/ operation – with HDD
Shock	15G peak acceleration (11 msec. duration) – with HDD
EMC	CE/FCC Class A
Power Supply	
DC input	—
LCD	
Display Type	15.6" TFT-LCD, LED
Max Resolution	Regular 1366 (H) x 768 (V) Full HD 1920 (H) x 1080 (V)
Max. Colors	Regular :16.7M (8 bit/color) Full HD: 16.2M
Luminance	Regular : 400 cd/m2 Full HD : 450 cd/m2
Viewing Angle	Regular : 170° (H) ; 130° (V) Full HD: 178° (H) ; 178° (V)
Back Light	LED
Back Light MTBF (hours)	50,000
Touch Screen	
Type	P-CAP/ Full-flap resistive
Light Transmission	90%
Others	1. Connect with OMNI-Box Kit 2. Connect with LVDS/USB Type Touch





Dimension

Unit: mm



Ordering Information

Part Number	Display Type	Max Resolution	Luminance	View Angle	Backlight MTBF (Hours)	Temp.	Touch	Other
OMNI-215DHTT-KIT-A1-1011	15.6" TFT-LCD	1366 x 768	400 cd/m ²	160°(H), 140°(V)	50,000	-10°C ~ 55°C	Full Flat Resistive Touch Screen	Support OMNI CPU BOX kit
OMNI-215DHTT-KIT-A2-1011	15.6" TFT-LCD	1366 x 768	400 cd/m ²	160°(H), 140°(V)	50,000	-10°C ~ 55°C	Projected Capacitive Touch	Support OMNI CPU BOX kit
OMNI-215DHDT-E-KIT-A2-1010	15.6" TFT LCD	1920x1080	450 cd/m ²	178°(H), 178°(V)	50,000	-20°C ~ 50°C	Projected Capacitive Touch	Support OMNI-ADP/ADN BOX Kit



Features

- 21.5" (1920 x 1080) OMNI Modular Touch/ LCD Kit
- Supports Projected Capacitive Multi Touch or Resistive Touch Screen
- IP65 Compliant Aluminum Front Bezel



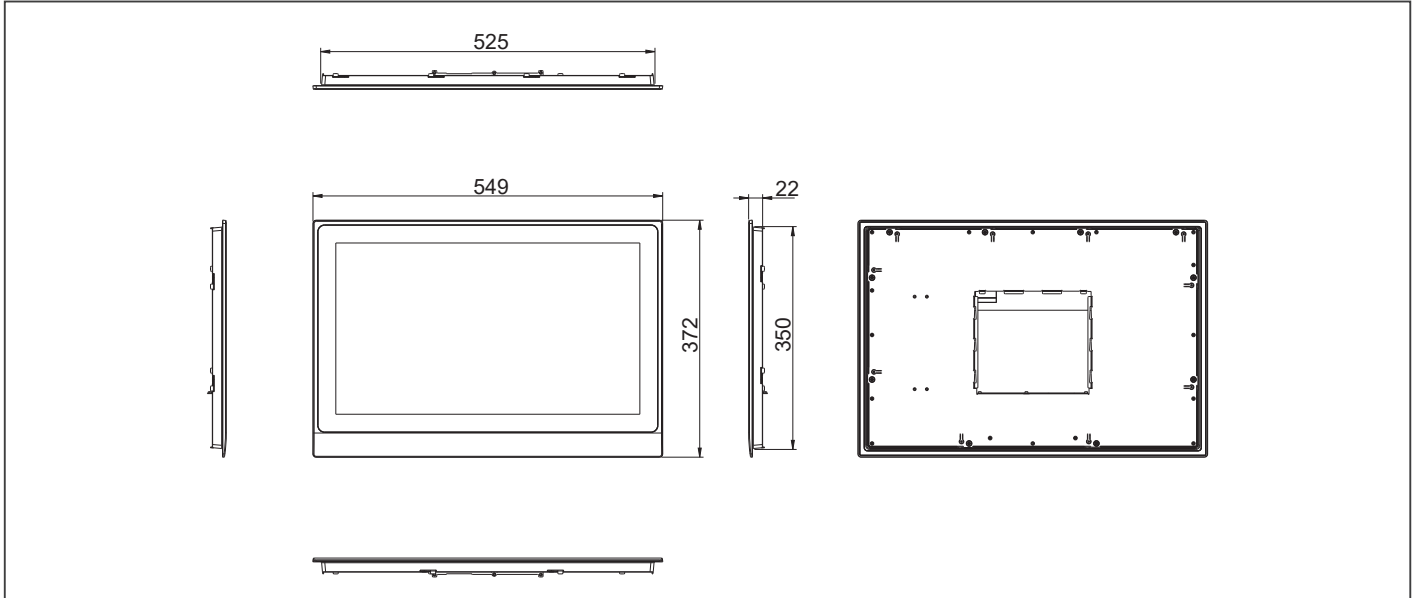
Specifications

Mechanical	
Construction	Aluminum Front Bezel
Mounting	Panel Mount
Dimension	21.61" x 14.65" x 0.87" (549mm x 372mm x 22mm)
Carton Dimension	26.38" x 7.87" x 20.67" (670mm x 200mm x 525mm)
Gross Weight	11 lb (5 kg)
Environmental	
Operating Temperature	14°F ~ 131°F (-10°C ~ 55°C) with 0.5 m/s airflow
Storage Temperature	-4°F ~ 158°F (-20°C ~ 70°C)
Storage Humidity	90% @40°C; non-condensing
Vibration	1 Grms/ 5~ 500Hz/ operation – with HDD
Shock	15G peak acceleration (11 msec. duration) – with HDD
EMC	CE/FCC Class A
Power Supply	
DC input	—
LCD	
Display Type	21.5" TFT-LCD, LED
Max Resolution	1920 x 1080
Max. Colors	16.7M colors
Luminance	250 cd/m ²
Viewing Angle	178° (H), 178° (V)
Back Light	LED
Back Light MTBF (hours)	50,000
Touch Screen	
Type	P-CAP/ Full-flap resistive
Light Transmission	90%
Others	1. Connect with OMNI-Box Kit 2. Connect with LVDS/USB Type Touch



Dimension

Unit: mm



Ordering Information

Part Number	Display Type	Max Resolution	Luminance	View Angle	Backlight MTBF (Hours)	Temp.	Touch	Other
OMNI-221DHTT-KIT-A1-1011	21.5" TFT-LCD	1920 x 1080	250 cd/m ²	178°(H), 178°(V)	50,000	-10°C – 55°C	Full Flat Resistive Touch Screen	Support OMNI CPU BOX kit
OMNI-221DHTT-KIT-A2-1012	21.5" TFT-LCD	1920 x 1080	250 cd/m ²	178°(H), 178°(V)	50,000	-10°C – 55°C	Projected Capacitive Touch	Support OMNI CPU BOX kit
OMNI-221DHTTE-KIT-A2-1010	21.5" TFT-LCD	1920 x 1080	250 cd/m ²	178°(H), 178°(V)	50,000	-10°C – 55°C	Projected Capacitive Touch	Support OMNI-ADP/ADN BOX Kit



Features

- 10.4" (800 x 600) OMNI Modular Touch/ LCD Kit
- Supports Projected Capacitive Multi Touch or Resistive Touch Screen
- IP65 Compliant Aluminum Front Bezel



Specifications

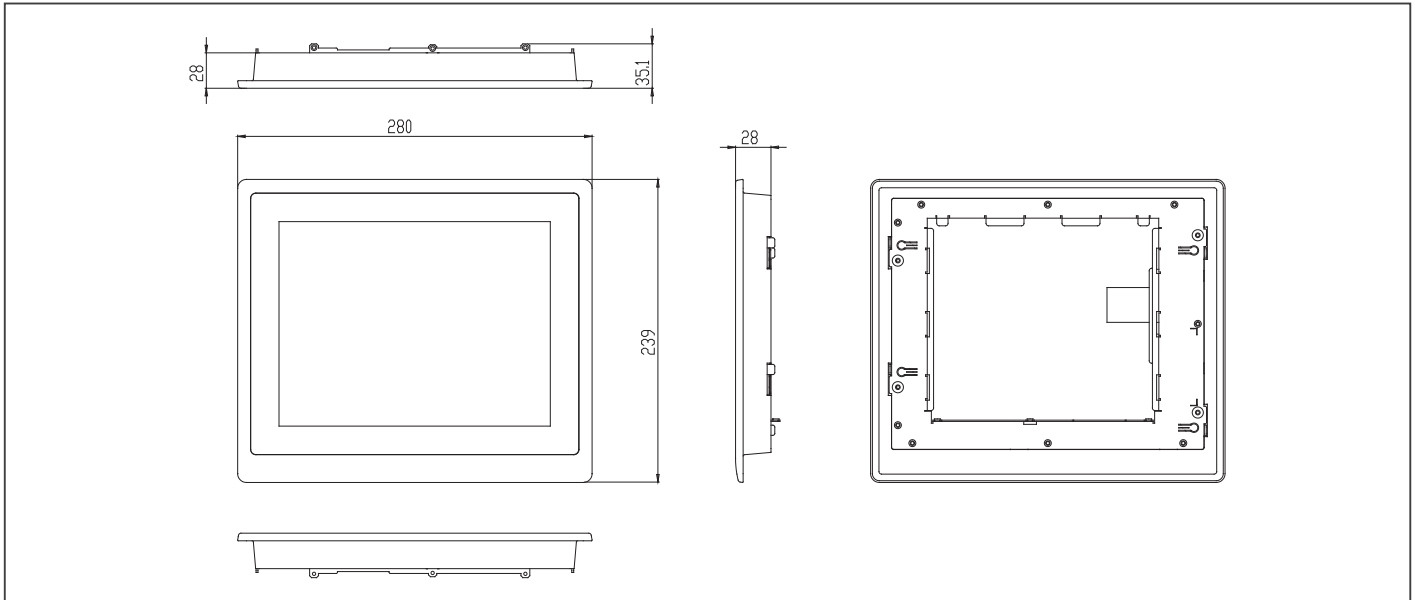
Mechanical	
Construction	Aluminum Front Bezel
Mounting	Panel Mount
Dimension	11.02" x 9.41" x 1.1" (280mm x 239mm x 28mm)
Carton Dimension	16.34" x 7.05" x 15.39" (415mm x 179mm x 391mm)
Gross Weight	3.08 lb (1.4 kg)
Environmental	
Operating Temperature	14°F ~ 131°F (-10°C ~ 55°C) with 0.5 m/s airflow
Storage Temperature	-4°F ~ 158°F (-20°C ~ 70°C)
Storage Humidity	90% @40°C; non-condensing
Vibration	1 Grms/ 5~ 500Hz/ operation – with HDD
Shock	15G peak acceleration (11 msec. duration) – with HDD
EMC	CE/FCC Class A
Power Supply	
DC input	—
LCD	
Display Type	10.4" TFT-LCD, LED
Max Resolution	800 x 600
Max. Colors	16.2M colors
Luminance	230 cd/m ²
Viewing Angle	120° (H), 100° (V)
Back Light	LED
Back Light MTBF (hours)	50,000
Touch Screen	
Type	P-CAP/ Full-flap resistive
Light Transmission	90%
Others	1. Connect with OMNI-Box Kit 2. Connect with LVDS/ USB Type Touch





Dimension

Unit: mm



Ordering Information

Part Number	Display Type	Max Resolution	Luminance	View Angle	Backlight MTBF (Hours)	Temp.	Touch	Other
OMNI-310DHTT-KIT-A1-1011	10.4" TFT-LCD	800 x 600	230 cd/m ²	120(H), 100(V)	50,000	-10°C – 55°C	Full Flat Resistive Touch Screen	Support OMNI CPU BOX kit
OMNI-310DHTT-KIT-A2-1011	10.4" TFT-LCD	800 x 600	230 cd/m ²	120(H), 100(V)	50,000	-10°C – 55°C	Projected Capacitive Touch	Support OMNI CPU BOX kit



Features

- 12.1" (1024 x 768) OMNI Modular Touch/ LCD Kit
- Supports Projected Capacitive Multi Touch or Resistive Touch Screen
- IP65 Compliant Aluminum Front Bezel



Specifications

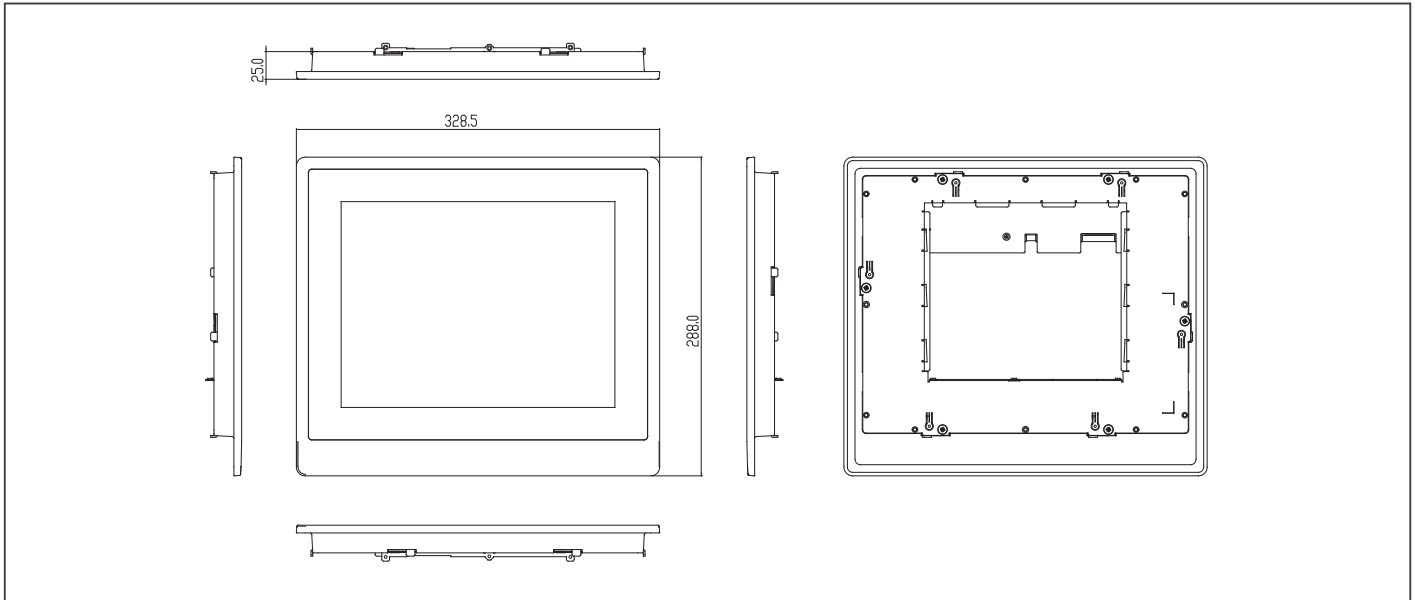
Mechanical	
Construction	Aluminum Front Bezel
Mounting	Panel Mount
Dimension	12.95" x 11.34" x 0.98" (329mm x 288mm x 25mm)
Carton Dimension	20.87" x 17.52" x 7.87" (530mm x 445mm x 200mm)
Gross Weight	4.4 lb (2 kg)
Environmental	
Operating Temperature	14°F ~ 131°F (-10°C ~ 55°C) with 0.5 m/s airflow
Storage Temperature	-4°F ~ 158°F (-20°C ~ 70°C)
Storage Humidity	90% @40°C; non-condensing
Vibration	1 Grms/ 5~ 500Hz/ operation – with HDD
Shock	15G peak acceleration (11 msec. duration) – with HDD
EMC	CE/FCC Class A
Power Supply	
DC input	—
LCD	
Display Type	12.1" TFT-LCD, LED
Max Resolution	1024 x 768
Max. Colors	16.2M colors
Luminance	500 cd/m ²
Viewing Angle	160° (H), 160° (V)
Back Light	LED
Back Light MTBF (hours)	50,000
Touch Screen	
Type	P-CAP/ Full-flap resistive
Light Transmission	90%
Others	1. Connect with OMNI-Box Kit 2. Connect with LVDS/USB Type Touch





Dimension

Unit: mm



Ordering Information

Part Number	Display Type	Max Resolution	Luminance	View Angle	Backlight MTBF (Hours)	Temp.	Touch	Other
OMNI-312DHTT-KIT-A1-1011	12.1" TFT-LCD	1024 x 768	500 cd/m ²	160°(H), 160°(V)	50,000	-10°C – 55°C	Full Flat Resistive Touch Screen	Support OMNI CPU BOX kit
OMNI-312DHTT-KIT-A2-1011	12.1" TFT-LCD	1024 x 768	500 cd/m ²	160°(H), 160°(V)	50,000	-10°C – 55°C	Projected Capacitive Touch	Support OMNI CPU BOX kit
OMNI-312DHTTE-KIT-A2-1010	12.1" TFT-LCD	1024 x 768	500 cd/m ²	160°(H), 160°(V)	50,000	-10°C – 55°C	Projected Capacitive Touch	Support OMNI-ADP/ADN BOX Kit



Features

- 15" (1024 x 768) OMNI Modular Touch/ LCD Kit
- Supports Projected Capacitive Multi Touch or Resistive Touch Screen
- IP65 Compliant Aluminum Front Bezel



Specifications

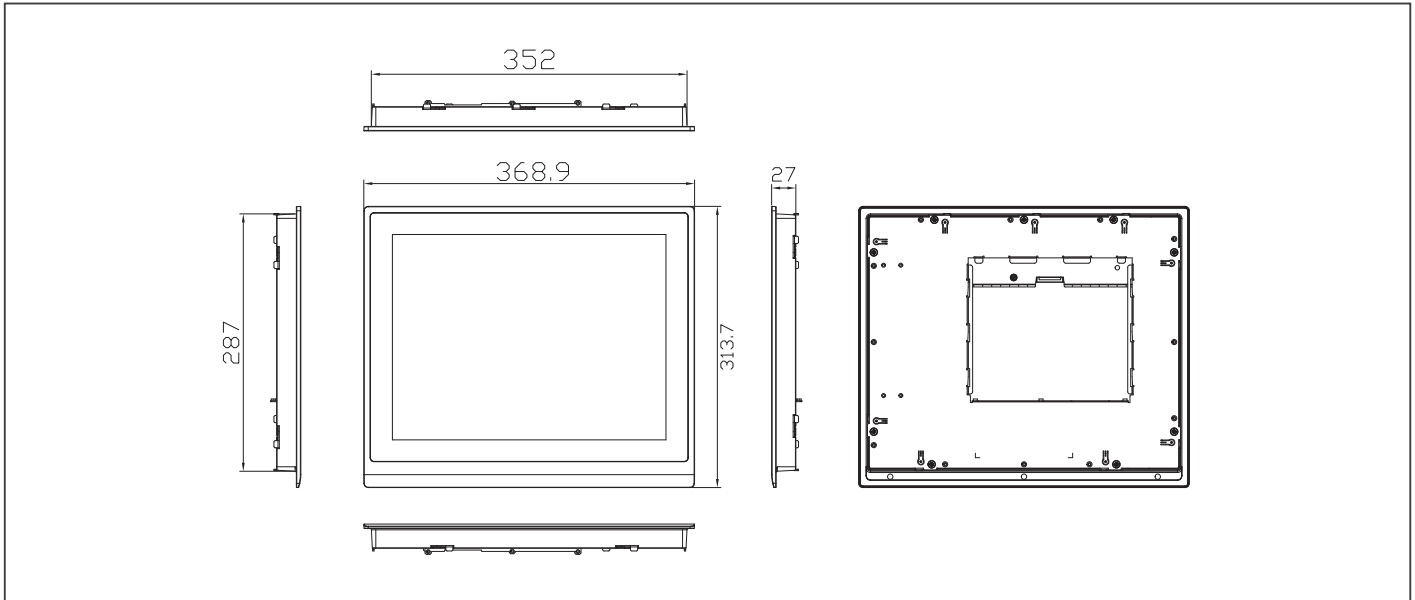
Mechanical	
Construction	Aluminum Front Bezel
Mounting	Panel Mount
Dimension	14.53" x 12.36" x 1.06" (369mm x 314mm x 27mm)
Carton Dimension	20.08" x 9.84" x 18.11" (510mm x 250mm x 460mm)
Gross Weight	11.66 lb (5.3 kg)
Environmental	
Operating Temperature	14°F ~ 131°F (-10°C ~ 55°C) with 0.5 m/s airflow
Storage Temperature	-4°F ~ 158°F (-20°C ~ 70°C)
Storage Humidity	90% @40°C; non-condensing
Vibration	1 Grms/ 5~ 500Hz/ operation – with HDD
Shock	15G peak acceleration (11 msec. duration) – with HDD
EMC	CE/FCC Class A
Power Supply	
DC input	—
LCD	
Display Type	15" TFT-LCD, LED
Max Resolution	1024 x 768
Max. Colors	16.2M (8bit/color)
Luminance	300 cd/m ²
Viewing Angle	176° (H), 176° (V)
Back Light	LED
Back Light MTBF (hours)	70,000
Touch Screen	
Type	P-CAP/ Full-flap resistive
Light Transmission	90%
Others	1. Connect with OMNI-Box Kit 2. Connect with LVDS/USB Type Touch





Dimension

Unit: mm



Ordering Information

Part Number	Display Type	Max Resolution	Luminance	View Angle	Backlight MTBF (Hours)	Temp.	Touch	Other
OMNI-315DHTT-KIT-A1-1012	15" TFT-LCD	1024 x 768	300 cd/m ²	176° (H), 176° (V)	70,000	-10°C – 55°C	Full Flat Resistive Touch Screen	Support OMNI CPU BOX kit
OMNI-315DHTT-KIT-A2-1012	15" TFT-LCD	1024 x 768	300 cd/m ²	176° (H), 176° (V)	70,000	-10°C – 55°C	Projected Capacitive Touch	Support OMNI CPU BOX kit



Features

- 17" (1280 x 1024) MNI Modular Touch/ LCD Kit
- Supports Projected Capacitive Multi Touch or Resistive Touch Screen
- IP65 Compliant Aluminum Front Bezel



Specifications

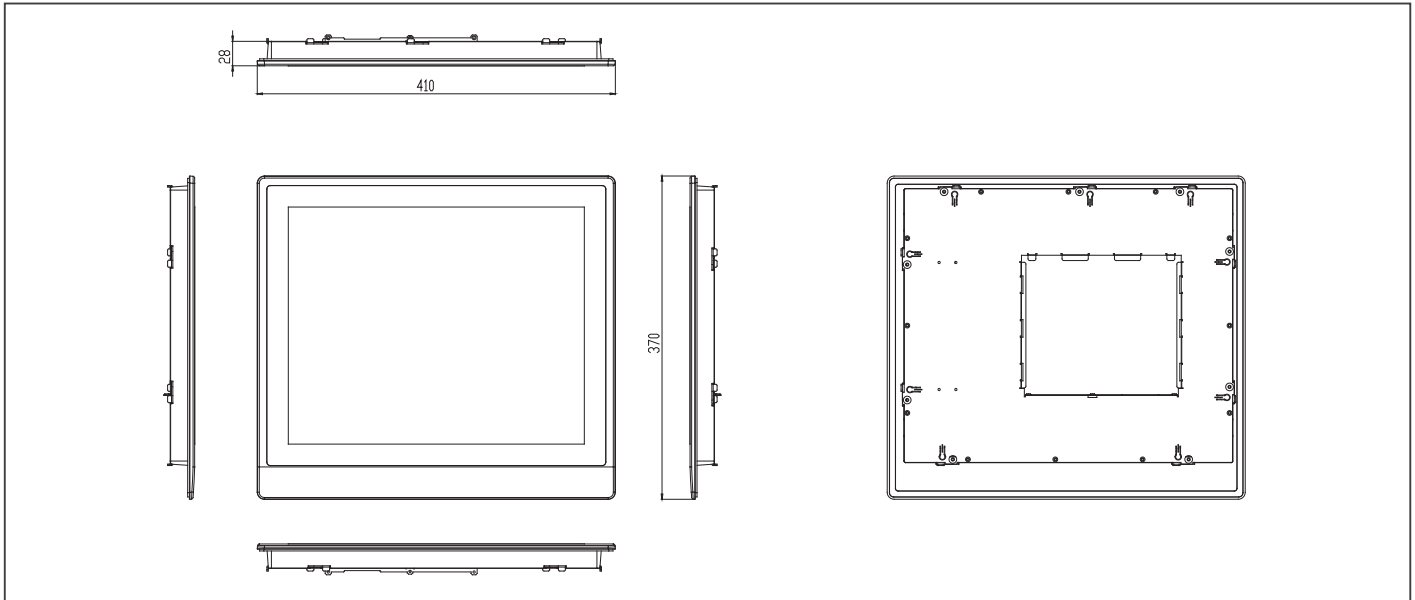
Mechanical	
Construction	Aluminum Front Bezel
Mounting	Panel Mount
Dimension	16.14" x 14.57" x 1.1" (410mm x 370mm x 28mm)
Carton Dimension	20.47" x 10.32" x 19.29" (522mm x 262mm x 490mm)
Gross Weight	8.8 lb(4 kg)
Environmental	
Operating Temperature	14°F ~ 131°F (-10°C ~ 55°C) with 0.5 m/s airflow
Storage Temperature	-4°F ~ 158°F (-20°C ~ 70°C)
Storage Humidity	90% @40°C; non-condensing
Vibration	1 Grms/ 5~ 500Hz/ operation – with HDD
Shock	15G peak acceleration (11 msec. duration) – with HDD
EMC	CE/FCC Class A
Power Supply	
DC input	—
LCD	
Display Type	17" TFT-LCD, LED
Max Resolution	1280 x 1024
Max. Colors	16.7M colors
Luminance	350 cd/m ²
Viewing Angle	170° (H), 160° (V)
Back Light	LED
Back Light MTBF (hours)	50,000
Touch Screen	
Type	P-CAP/ Full-flap resistive
Light Transmission	90%
Others	1. Connect with OMNI-Box Kit 2. Connect with LVDS/USB Type Touch





Dimension

Unit: mm



Ordering Information

Part Number	Display Type	Max Resolution	Luminance	View Angle	Backlight MTBF (Hours)	Temp.	Touch	Other
OMNI-317DHTT-KIT-A1-1012	17" TFT-LCD	1280 x 1024	350 cd/m ²	170°(H), 160°(V)	50,000	-10°C – 55°C	Full Flat Resistive Touch Screen	Support OMNI CPU BOX kit
OMNI-317DHTT-KIT-A2-1011	17" TFT-LCD	1280 x 1024	350 cd/m ²	170°(H), 160°(V)	50,000	-10°C – 55°C	Projected Capacitive Touch	Support OMNI CPU BOX kit
OMNI-317DHTTE-KIT-A2-1010	17" TFT-LCD	1280 x 1024	300 cd/m ²	170°(H), 160°(V)	50,000	-10°C – 55°C	Projected Capacitive Touch	Support OMNI-ADP/ADN BOX Kit



Features

- 19" (1280 x 1024) OMNI Modular Touch/ LCD Kit
- Supports Projected Capacitive Multi Touch or Resistive Touch Screen
- IP65 Compliant Aluminum Front Bezel



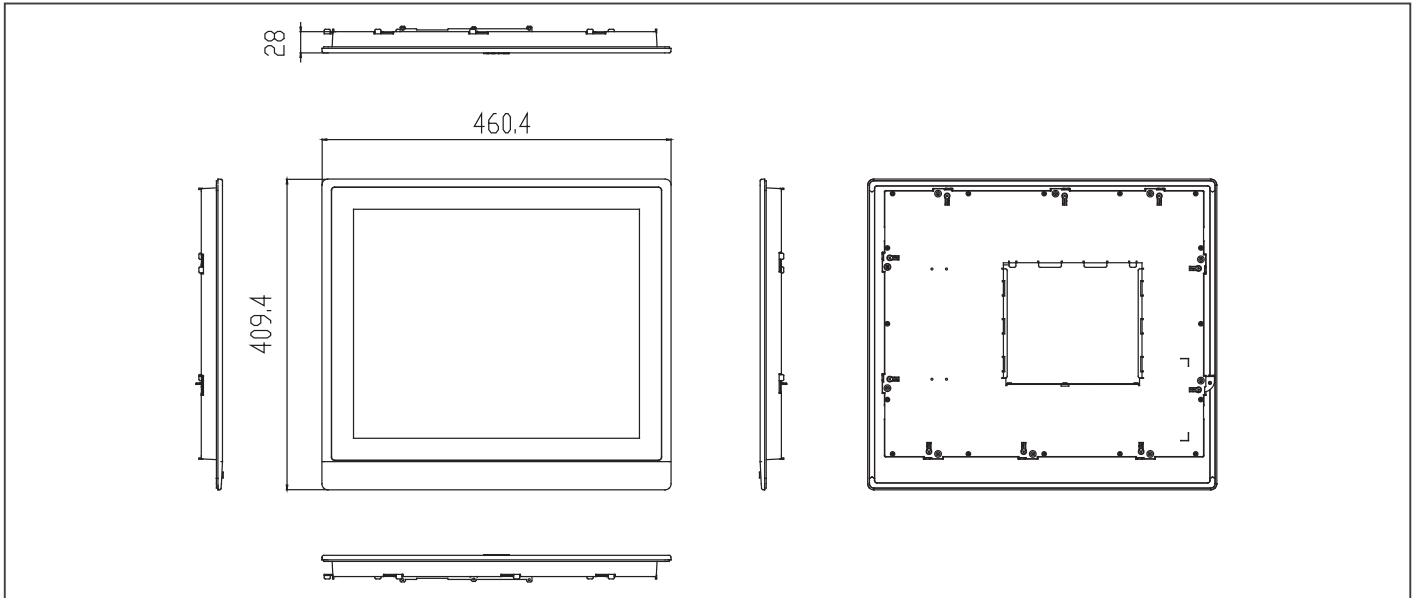
Specifications

Mechanical	
Construction	Aluminum Front Bezel
Mounting	Panel Mount
Dimension	18.13" x 16.12" x 1.1" (460.4mm x 409.4mm x 28mm)
Carton Dimension	26.02" x 8.11" x 19.53" (661mm x 206mm x 496mm)
Gross Weight	11 lb (5 kg)
Environmental	
Operating Temperature	14°F ~ 131°F (-10°C ~ 55°C) with 0.5 m/s airflow
Storage Temperature	-4°F ~ 158°F (-20°C ~ 70°C)
Storage Humidity	90% @40°C; non-condensing
Vibration	1 Grms/ 5~ 500Hz/ operation – with HDD
Shock	15G peak acceleration (11 msec. duration) – with HDD
EMC	CE/FCC Class A
Power Supply	
DC input	—
LCD	
Display Type	19" TFT-LCD, LED
Max Resolution	1280 x 1024
Max. Colors	16.7M colors
Luminance	350 cd/m ²
Viewing Angle	170° (H), 160° (V)
Back Light	LED
Back Light MTBF (hours)	50,000
Touch Screen	
Type	P-CAP/ Full-flap resistive
Light Transmission	90%
Others	1. Connect with OMNI-Box Kit 2. Connect with LVDS/USB Type Touch



Dimension

Unit: mm



Ordering Information

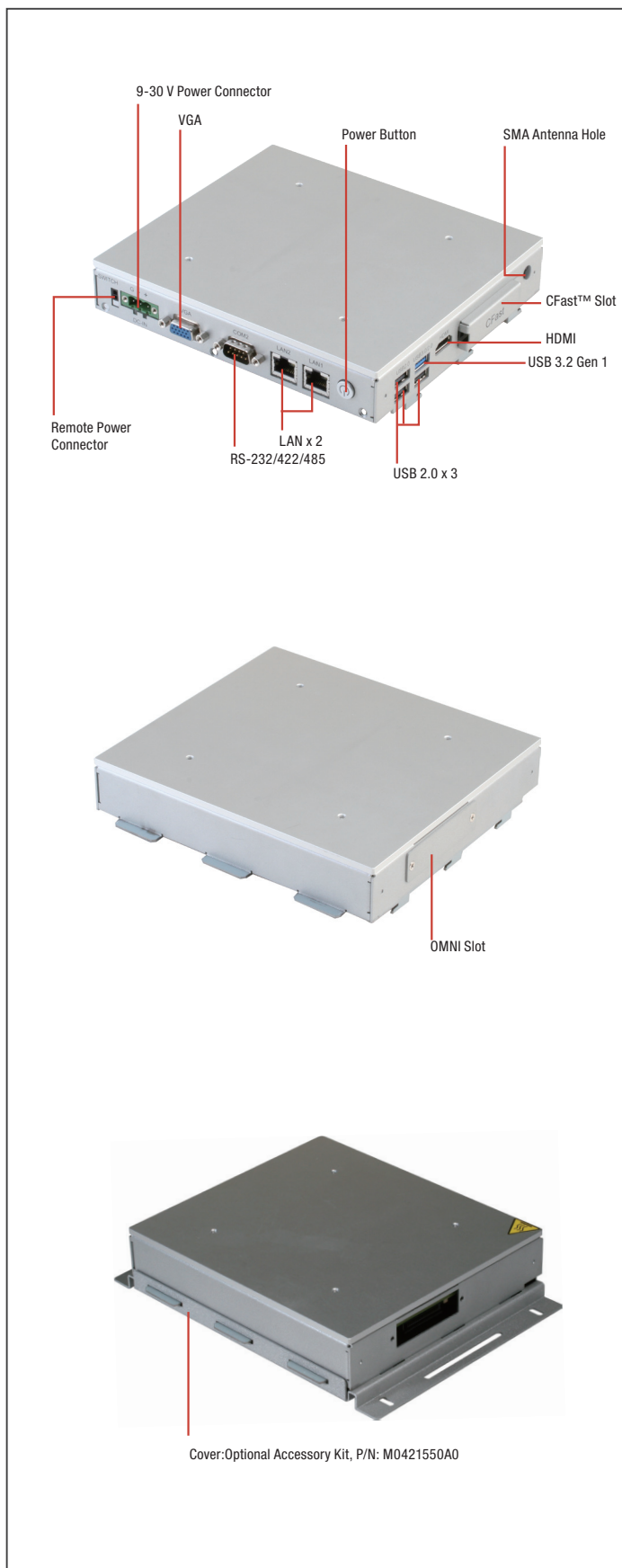
Part Number	Display Type	Max Resolution	Luminance	View Angle	Backlight MTBF (Hours)	Temp.	Touch	Other
OMNI-319DHTT-KIT-A1-1012	19" TFT-LCD	1280 x 1024	350 cd/m ²	170°(H), 160°(V)	50,000	-10°C – 55°C	Full Flat Resistive Touch Screen	Support OMNI CPU BOX kit
OMNI-319DHTT-KIT-A2-1011	19" TFT-LCD	1280 x 1024	350 cd/m ²	170°(H), 160°(V)	50,000	-10°C – 55°C	Projected Capacitive Touch	Support OMNI CPU BOX kit
OMNI-319DHTTE-KIT-A2-1010	19" TFT-LCD	1280 x 1024	350 cd/m ²	170°(H), 160°(V)	50,000	-10°C – 55°C	Projected Capacitive Touch	Support OMNI-ADP/ADN BOX Kit

OMNI-BT CPU BOX Kit



OMNI Series Modules- CPU BOX Kit

OMNI Series : Modular Builder - BOX Kit



Features

- Intel® N2807/J1900 Processor
- Aluminum Design
- Fanless Operation
- Easily Expandable I/O by AAEON OMNI I/O Modules



Specifications

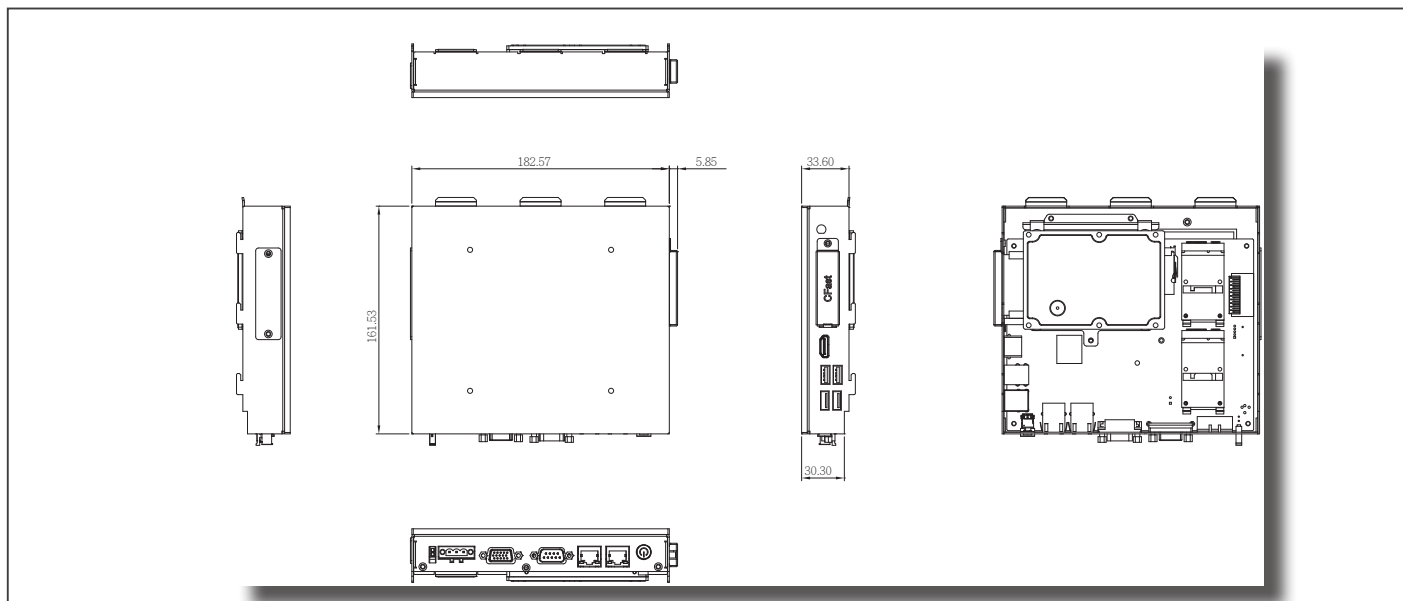
System	
Processor	Intel® N2807 processor, 1.58 GHz Intel® Celeron® J1900 processor, 2 GHz
System Memory	204-pin DDR3L 1333MHz SODIMM x 1, up to 8 GB, (J1900) 204-pin DDR3L 1333MHz SODIMM x 1, up to 4 GB, (N2807)
LCD CRT Controller	Integrated in processor
Ethernet	Intel® I211, 10/100/1000 Base-TX x 2
I/O Port	USB 2.0 Type A x 3 USB 3.2 Gen 1 Type A x 1 SMA Antenna hole x 1 HDMI x 1 CFast™ x 1 DB-9 x 1 for RS-232/422/485 RJ-45 x 2 for 10/100/1000 Base-TX DB-15 x 1 for VGA 3-pin terminal block x 1 for 9~30 Vdc power input LED Power on/off switch x 1 (Power on = Orange, Power off =N/A)
Storage Disk Drive	CFast™ x 1, 2.5" SATA HDD bay x 1
Expansion Slot	Mini card x 2 (Full size x 2) SIM card x 1 OMNI I/O connector x 1
OS Support	Windows® 7, Windows® 8, Windows® 10, Linux Kernel 2.6.x or higher
Construction	Aluminum design
Mounting	Wallmount
Dimension	7.2" x 6.38" x 1.1" (183mm x 162mm x 28mm)
Gross Weight	3.96 lb (1.8 kg)
Operating Temperature	14°F ~ 131°F (-10°C ~ 55°C) (J1900) 14°F ~ 140°F (-10°C ~ 60°C) (N2807) with 0.5 m/s airflow (CF & HDD)
Storage Temperature	-4°F ~ 158°F (-20°C ~ 70°C)
Storage Humidity	90% @40°C; non-condensing
Anti Vibration	1 Grms/ 5~ 500Hz/ operation – with HDD
Anti-Shock	15 G peak acceleration (11 msec. duration) – HDD
Certification	CE/FCC class A
DC Input	DC 9 (min.) ~ 30 (max.) V w/3-pin terminal block, ATX Power function
Display Type	HDMI x 1, VGA
Others	Box Bottom Chassis Cover (optional): M0421550A0





Dimension

Unit: mm



Ordering Information

Part Number	CPU	LAN	USB 3.2 Gen 1	USB 2.0	RS-232	RS-232/422/485	Storage	RAM	Display	Expansion	Power	Operating Temp.
OMNI-BT-KIT-A1-1011	Intel® Celeron® J1900, 2 GHz	2	1	3	—	1	CFast™ x 1 2.5" SATA HDD x 1	DDR3L, up to 8 GB	VGA x 1	Mini-Card x 2 (Full Size) OMNI Module	DC 9~30V	-10°C ~ 55°C with airflow
OMNI-BT-KIT-A2-1011	Intel® N2807, 1.58 GHz	2	1	3	—	1	CFast™ x 1 2.5" SATA HDD x 1	DDR3L, up to 4 GB	VGA x 1	Mini-Card x 2 (Full Size) OMNI Module	DC 9~30V	-10°C ~ 60°C with airflow

Packing List

- Phoenix Power Connector
- OMNI-BT CPU BOX Kit

Optional Accessories

- **AP-0T9789LA1000**
LCD monitor Stand 230mm, LA-100
- **170X000799**
Power Cord (US Type)
- **170X000800**
Power Cord (European Type)
- **M0421550A0**
OMNI BOX Bottom Cover
- **170X000803**
Power Cord (Japanese Type)
- **1255900849**
(TF)Adapter.AC/DC.Input 90V~264V.
Output 12V/84W.3p phoenix.FSP.FSP084-DHAN3(9NA0840718)
- **1700021500**
Remote Switch Cable, 150 cm

Wide Temperature DRAM

- **9761215500**
2GB Wide Temperature DRAM (-40°C ~ 95°C)
- **9761215501**
4GB Wide Temperature DRAM (-40°C ~ 95°C)
- **9761215502**
8GB Wide Temperature DRAM (-40°C ~ 95°C)

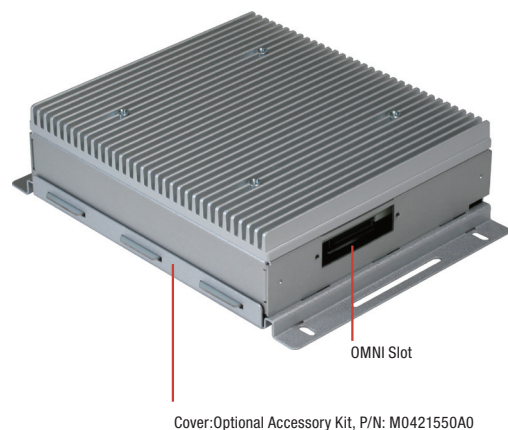
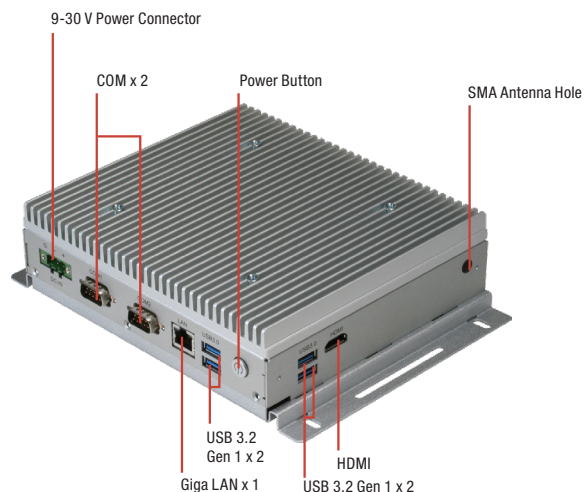
***Users should select the wide temperature DRAM above and use wide temperature storage devices if the OMNI panel pc is to be operated at over 40°C.

OMNI-SKU CPU-BOX Kit



OMNI Series Modules- CPU BOX Kit

OMNI Series : Modular Builder - BOX Kit



Features

- Intel® Core™ i7-6600U, i5-6300U, i3-6100U, Celeron® 3995 Processor
- 10/100/1000 Base-TX RJ-45 Port x 1
- RS-232/422/485 x 2
- USB 3.2 Gen 1 x 4
- Aluminum Design
- Fanless Operation
- DC 9~30V



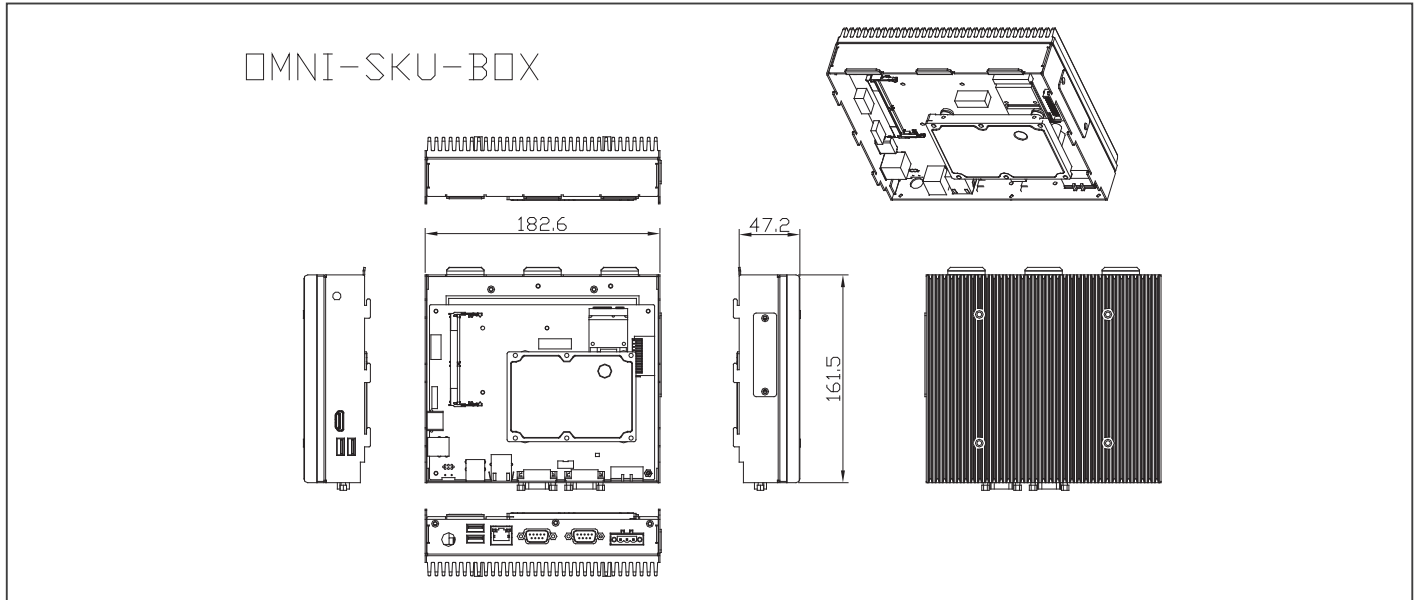
Specifications

System	
Processor	Intel® Core™ i7-6600U, i5-6300U, i3-6100U, Celeron® 3995 Processor
System Memory	260-pin DDR4 SODIMM x 1, Max. 16GB
LCD CRT Controller	Integrated in processor
Ethernet	Gigabit Ethernet, RJ-45 x 1
I/O Port	USB Type A x 4 for USB 3.2 Gen 1 RJ-45 x1 for GbE LAN DB-9 x 2 for RS-232, DB-9 x 1 for RS-232/422/485 Power input connector, Power ON/OFF Switch x 1, antenna hole HDMI x 1 3-pin terminal Power input x 1
Storage Disk Drive	2.5" SATA HDD bay x 1
Expansion Slot	Full size mini card x 1 SIM card x 1 OMNI I/O connector x 1
OS Support	Windows® 10 (64-bit), Linux kernel 2.6.3 or above
Construction	Aluminum design
Mounting	Wallmount (with optional Bottom cover: M0421550A0) / with OMNI-Panel Kits
Dimension	7.2" x 6.38" x 1.77" (183mm x 162mm x 45mm)
Gross Weight	3.96 lb (1.8 kg)
Operating Temperature	-4°F ~ 131°F (-20°C ~ 55°C)
Storage Temperature	-4°F ~ 158°F (-20°C ~ 70°C)
Storage Humidity	90% @40°C; non-condensing
Anti Vibration	1 Grms/ 5~ 500Hz/ operation – with HDD
Anti-Shock	15 G peak acceleration (11 msec. duration) – HDD
Certification	CE/FCC class A
DC Input	DC 9 (min.) ~ 30 (max.) V w/ 3-pin terminal block, ATX Power function
Display Type	HDMI x 1
Others	Box Bottom Chassis Cover (optional): M0421550A0



Dimension

Unit: mm



Ordering Information

Part Number	CPU	LAN	USB 3.2 Gen 1	USB 2.0	RS-232	RS-232/422/485	Storage	RAM	Display	Expansion	Mounting	Power	Operating Temp.
OMNI-SKU-KIT-A1-1111	Intel® i5-6300U Processor	1	4	—	—	2	2.5" SATA HDD x 1	DDR4, up to 16GB	HDMI x 1	Mini-Card x 1 (Full Size) OMNI Module	Wallmount	DC 9~30V	-20°C ~ 55°C with airflow
OMNI-SKU-KIT-A2-1111	Intel® C-3955U Processor	1	4	—	—	2	2.5" SATA HDD x 1	DDR4, up to 16GB	HDMI x 1	Mini-Card x 1 (Full Size) OMNI Module	Wallmount	DC 9~30V	-20°C ~ 55°C with airflow
OMNI-SKU-KIT-A3-1111	Intel® i7-6600U Processor	1	4	—	—	2	2.5" SATA HDD x 1	DDR4, up to 16GB	HDMI x 1	Mini-Card x 1 (Full Size) OMNI Module	Wallmount	DC 9~30V	-20°C ~ 55°C with airflow
OMNI-SKU-KIT-A4-1111	Intel® i3-6100U Processor	1	4	—	—	2	2.5" SATA HDD x 1	DDR4, up to 16GB	HDMI x 1	Mini-Card x 1 (Full Size) OMNI Module	Wallmount	DC 9~30V	-20°C ~ 55°C with airflow

Packing List

- Phoenix Power Connector
- OMNI-SKU CPU BOX Kit

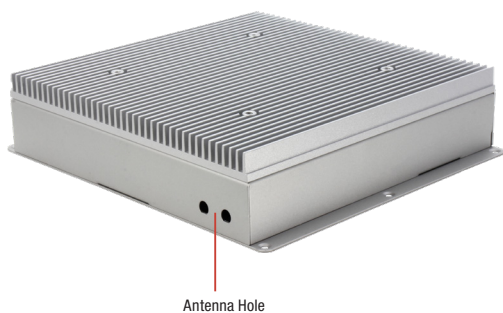
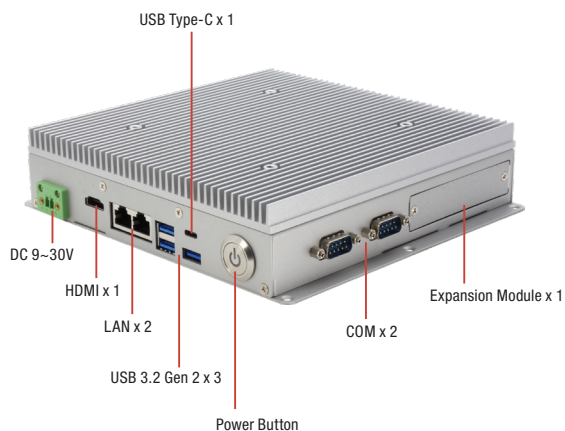
Optional Accessories

- 170X000799
Power Cord (US Type)
- 170X000800
Power Cord (European Type)
- M0421550A0
OMNI BOX Bottom Cover
- 170X000803
Power Cord (Japanese Type)

OMNI-ADP CPU-BOX Kit



OMNI Series Panel PC with 12th Generation Intel® Core™/Celeron® Processors



Expansion Module



9651MNAD02
USB 2.0 x 2



9651MNAD01
RS-232/422/485 x 2



Features

- Intel® Core™ i7-1265UE/i5-1245UE/i3-1215UE/Intel® Celeron® Processor 7305E CPU (Max. 15W TDP)
- OMNI-Panel Kit Support from 10.4" to 21.5"
- OMNI Series P-CAP or Resistive Touch Screen Support
- M.2 2280 M-Key (PCIe [x4])
- Aluminum Design
- Fanless Operation
- VESA Mount
- 9V ~ 30V DC in



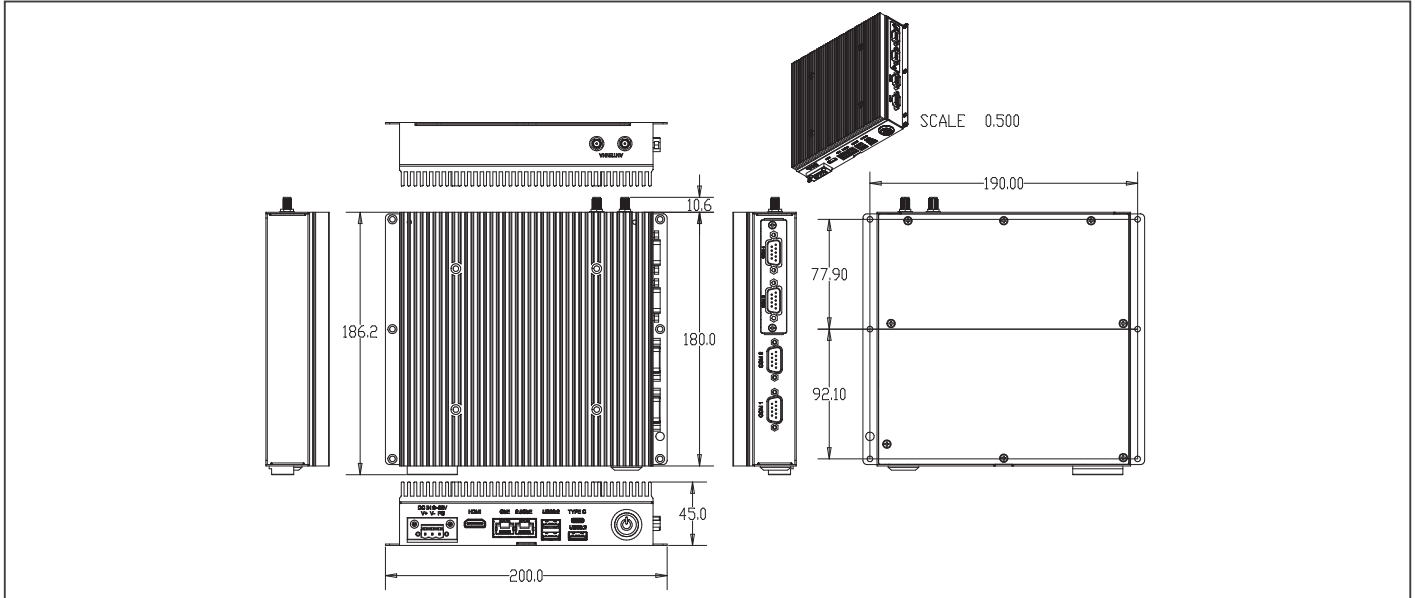
Specifications

System	
Processor	Intel® Core™ i7-1265UE Intel® Core™ i5-1245UE Intel® Core™ i3-1215UE Intel® Celeron® Processor 7305E
System Memory	DDR5 4800MHz, Dual Channel SODIMM x 2
LCD CRT Controller	—
Ethernet	Intel® Ethernet Connection I219 Series, 10/100/1000Base Intel® Ethernet Controller I226 Series, 10/100/1000/2500Base
IO Port	LAN x 2 USB (Type-A) x 3 USB (Type-C) x 1 HDMI x 1 COM x 2
Storage Disk Drive	2.5" SATA 6Gb/s x 1 M.2 2280 M-Key (PCIe [x4]) (NVMe)
Expansion Slot	M.2 3052 B-Key x 1 (BOM Optional: PCIe [x2], Default: USB 3.2 Gen 2 + SATA) M.2 2230 E-Key x 1 (PCIe, USB 2.0)
OS Support	Windows 10/Windows 11
Construction	Aluminum design
Mounting	VESA
Dimension	7.8" x 1.7" x 7" (200mm x 45mm x 180mm)
Gross Weight	2.5 lb. (1.15Kg)
Operating Temperature	-4°F ~ 122°F (-20°C ~ 50°C) with 0.5 m/s airflow
Storage Temperature	-4°F ~ 140°F (-20°C ~ 60°C)
Storage Humidity	90% @40°C; non-condensing
Anti Vibration	1Grms / 5 - 500Hz / operation
Anti-Shock	15 G peak acceleration (11 msec. duration)
Certification	CE/FCC Class A
DC Input	DC 9~30V, Suggest Minimum 120W Power Adapter
Display Type	OMNI Series Panel Kit from 10.4" to 21.5"
Others	Flat 5-Wire Resistive / PCAP multitouch (Support Gloves)



Dimension

Unit: mm



Packing List

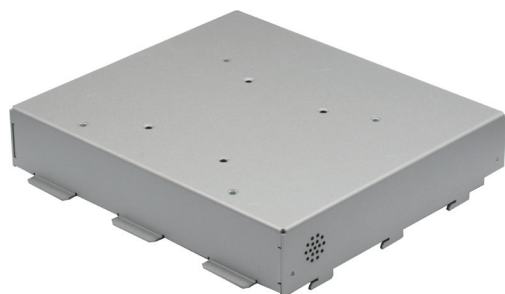
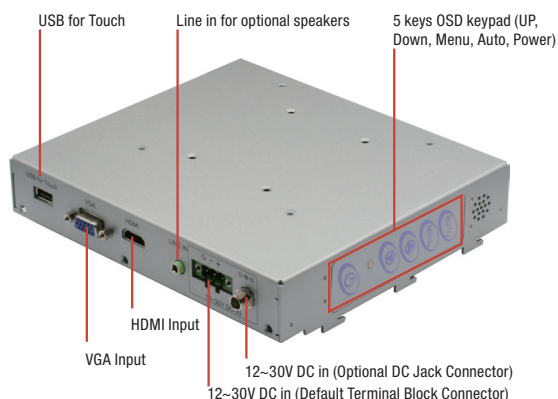
- OMNI-ADP-KIT
- Phoenix Power Connector
- Screws

Optional Accessories

- **AP-0T9789LA1000**
LCD Monitor Stand 230mm, LA-100
- **1255X00059**
120W Power Adapter
- **170X000799**
Power Cord (US Type)
- **170X000800**
Power Cord (European Type)
- **170X000803**
Power Cord (Japanese Type)
- **9651MNAD02**
USB 2.0 x2 (Expansion I/O Module)
- **9651MNAD01**
RS-232/422/485 x 2 (Expansion I/O Module)

Ordering Information

Part Number	CPU	LAN	USB 3.2 Gen2	USB 2.0	RS-232	RS-232/422/485	Storage	Memory	Display	Expansion	Power	Operation Temp.
OMNI-ADP-KIT-A1-1010	Intel® Celeron® Processor 7305E	2	Type A x 3 Type C x 1	—	—	2	2.5 SATA x 1 M.2 2280 M-Key x 1 (NVMe)	DDR5 4800MHz SODIMM x 2	HDMI x 1	M.2 3052 B-Key x 1 M.2 2230 E-Key x 1	DC 9~30V	-20°C ~ 50°C with Airflow
OMNI-ADP-KIT-A2-1010	Intel® Core™ i3-1215UE	2	Type A x 3 Type C x 1	—	—	2	2.5 SATA x 1 M.2 2280 M-Key x 1 (NVMe)	DDR5 4800MHz SODIMM x 2	HDMI x 1	M.2 3052 B-Key x 1 M.2 2230 E-Key x 1	DC 9~30V	-20°C ~ 50°C with Airflow
OMNI-ADP-KIT-A3-1010	Intel® Core™ i5-1245UE	2	Type A x 3 Type C x 1	—	—	2	2.5 SATA x 1 M.2 2280 M-Key x 1 (NVMe)	DDR5 4800MHz SODIMM x 2	HDMI x 1	M.2 3052 B-Key x 1 M.2 2230 E-Key x 1	DC 9~30V	-20°C ~ 50°C with Airflow
OMNI-ADP-KIT-A4-1010	Intel® Core™ i7-1265UE	2	Type A x 3 Type C x 1	—	—	2	2.5 SATA x 1 M.2 2280 M-Key x 1 (NVMe)	DDR5 4800MHz SODIMM x 2	HDMI x 1	M.2 3052 B-Key x 1 M.2 2230 E-Key x 1	DC 9~30V	-20°C ~ 50°C with Airflow



Features

- **Compatible with OMNI Series Modules- Panels: to Build Your Own OMNI Display**
- **No any Firmware Changes Needed to Combine with 7 Sizes OMNI Panel Modules**
- **DC 12~30V with Over Voltage/Current, Under Voltage Protection**
- **Optional Built-in Speakers**



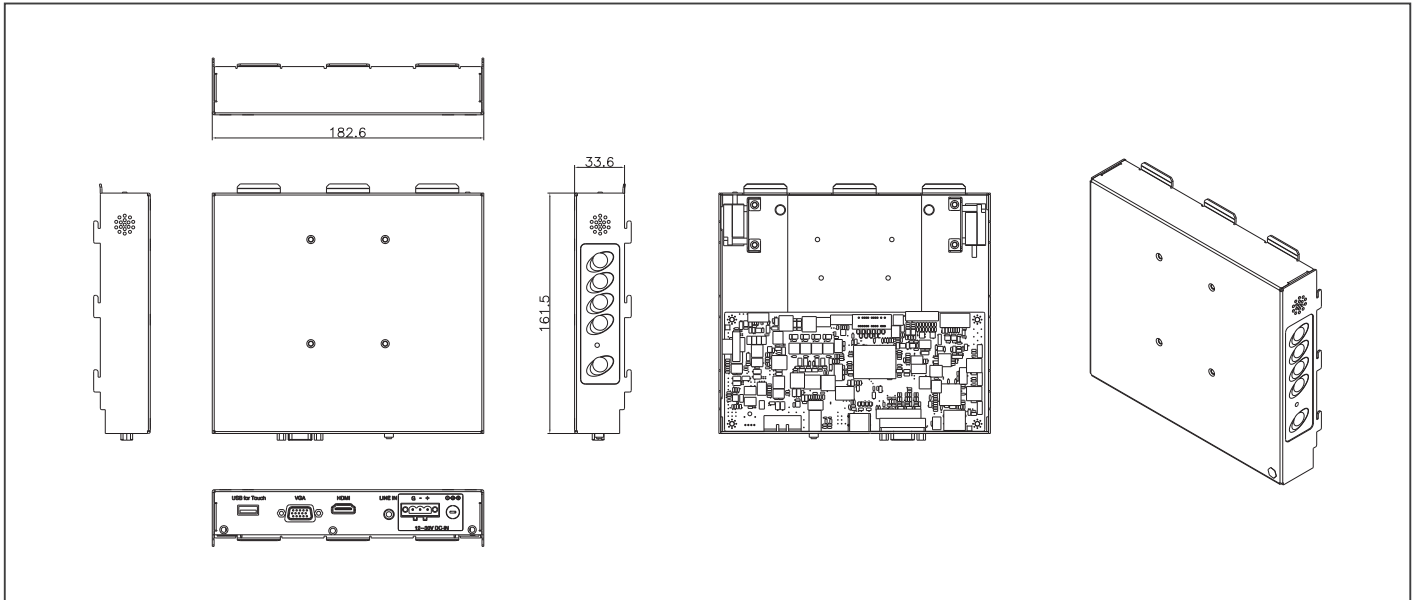
Specifications

System	
Input Signal	VGA / HDMI
On Screen Display Control	5 keys OSD keypad (Up, Down, Menu, Auto, Power)
I/O Port	DB-15 x 1 for VGA HDMI x 1 USB Type A x 1 (For Enable T/S Function) Line in x 1 (For optional internal Speaker) Power Input x 1(Default Terminal Block 3pin)
OS Support	Windows® 7 32/64-bit, Windows® 8 32/64-bit, Windows® 10 64-bit, Linux Ubuntu 16.04
Mechanical	
Construction	Metal chassis
Mounting	Must be assembled with OMNI-Series Modules-Panels
Dimension	5.1" x 6.4" x 1.2" (128.6mm x 161.5mm x 30.7mm)
Carton Dimension	12.3" x 10.1" x 7.6" (312mm x 257mm x 194mm)
Gross Weight	5.5 lb (2.5 kg)
Net Weight	2.6 lb (1.2 kg)
Environmental	
Operating Temperature	14°F ~ 131°F (-10°C ~ 55°C) With 0.5m/s Airflow
Storage Temperature	-4°F ~ 140°F (-20°C ~ 60°C)
Storage Humidity	10%~90% @104°F (40°C); non-condensing
Vibration	1 Grms / 5~500Hz/random Operation
Shock	—
EMC	CE/FCC, Class A
Power Supply	
DC Input	DC 12~30V Power Input with 3 Pin Terminal Block
LCD	
Display Type	Depends on your OMNI Panel Modules
Max. Resolution	
Max. Colors	
Luminance	
Viewing Angle	
Back Light	Depends on your OMNI Panel Modules
Back Light MTBF (Hours)	
Touchscreen	
Type	Depends on your OMNI Panel Modules
Light Transmission	
Life Time	



Dimension

Unit: mm



Ordering Information

Part Number	Display Type	Max. Resolution	Luminance	View Angle	Backlight MTBF (Hours)	Display	Mounting	Power	Temp.	Touch	Other
OMNI-ADB-KIT-A1-1010	—	—	—	—	—	VGA x 1 HDMI x 1	Mount with OMNI Panel Modules	DC 12V-30V	14°F ~ 131°F (-10°C ~ 55°C) (with 0.5 m/s airflow)	—	—

Packing List

- VGA Cable x 1
- USB Cable for Touch x 1
- Phoenix Power Connector
- OMNI-ADB-Kit

Optional Accessories

- **125530040F**
(TF)AC/DC Adapter.12V.40W.3.33A.FSP.3p phoenix.
FSP040-DHAN3.9NA0406819
- **170X000799**
Power Cord (US Type)
- **170X000800**
Power Cord (European Type)
- **170X000803**
Power Cord (Japanese Type)

06



ES France - Mobilité & Systèmes Embarqués
127 rue de Buzenval BP 26 - 92380 Garches



Tél. 01 47 95 99 80
Fax. 01 47 01 16 22



e-mail : mse@es-france.com
Site Web : www.es-france.com

06

OMNI Series: Modular Touch Panel Solutions



ES France - Mobilité & Systèmes Embarqués
127 rue de Buzenval BP 26 - 92380 Garches

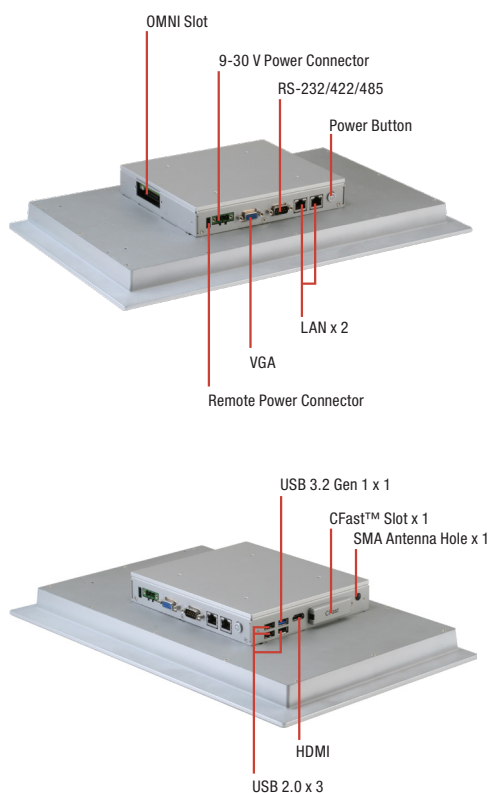


Tél. 01 47 95 99 80
Fax. 01 47 01 16 22



e-mail : mse@es-france.com
Site Web : www.es-france.com

15.6" Modular HMI Panel PC with Intel® Celeron® J1900/ N2807 Processor



Features

- Intel® Celeron® J1900/ N2807 Processor
- 15.6" (1366 x 768) TFT LCD Display
- Flat Screen with P-CAP or Resistive Touch Screen
- Easily Expandable I/O by AAEON OMNI I/O Modules
- Multiple Touchscreen
- Aluminum Design
- IP65 Compliant Front Bezel
- Fanless Operation
- Support Remote Power On/Off Connector
- Power Input Protection: Over-Voltage Protection, Low-Voltage Protection, Reverse-Voltage Protection



Specifications

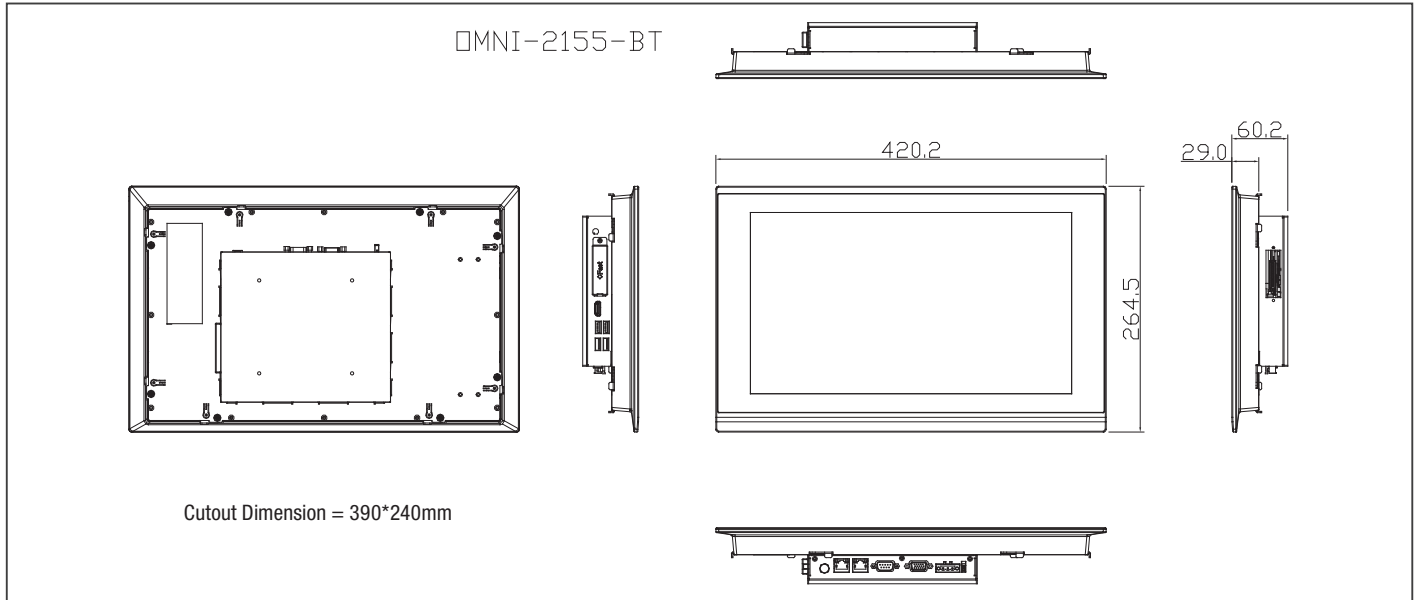
System	
Processor	Intel® Celeron® J1900, 2.0 GHz/ N2807, 1.58 GHz
System Memory	204-pin DDR3L 1333MHz SODIMM x 1, up to 8 GB (J1900), 4 GB (N2807)
LCD/CRT Controller	Integrated in Processor
Ethernet	10/100/1000Base-TX, RJ-45 x 2
I/O Port	USB Type A x 1 for USB 3.2 Gen 1, USB Type A x 3 for USB 2.0 SMA antenna hole x 1, HDMI x 1 CFast™ x 1, DB-9 for RS-232/422/485 x 1 RJ-45 x 2 for 10/100/1000Base-TX DB-15 x 1 for VGA 3-pin terminal block x 1 for 9~30 V DC power input LED Power On/Off Switch x 1 (Power on = orange, Power off =N/A)
Storage Disk Drive	CFast™ socket x 1, SATA 2.5" HDD bay x 1
Expansion Slot	Mini-Card x 2 (Full Size), OMNI I/O Connector x 1, SIM x 2
OS support	Windows® 7, Windows® 8, Windows® 10, Linux kernel 2.6.x or higher
Mechanical	
Construction	Aluminum front bezel + metal chassis
Mounting	VESA 100/ Panel mount
Dimension	16.54" x 10.43" x 2.36" (420mm x 265mm x 60mm)
Carton Dimension	20.87" x 17.52" x 7.87" (530mm x 445mm x 200mm)
Gross Weight	14.1 lb (6.4kg)
Environmental	
Operating Temperature	-4°F ~ 140°F (-20°C ~ 60°C) with industrial grade device (with 0.5 m/s air flow, according to IEC68-2-14, CPU: N2807) -4°F ~ 131°F (-20°C ~ 55°C) with industrial grade device (with 0.5 m/s air flow, according to IEC68-2-14, CPU: J1900)
Storage Temperature	-4°F ~ 158°F (-20°C ~ 70°C)
Storage Humidity	90% @40°C, non-condensing
Vibration	1 Grms/ 5 ~ 500 Hz/ Operation (HDD)
Shock	15 G peak acceleration (11 msec. duration)
EMC	CE/FCC class A
Power Supply	
DC input	DC 9 (min.) ~ 30 (max.) V w/ 3-pin terminal block, ATX Power function
LCD	
Display Type	15.6" TFT-LCD, LED backlight
Max Resolution	1366 x 768
Max. Colors	16.7M colors (8-bit for R,G,B)
Luminance	400 cd/m2
Viewing Angle	160° (H), 140° (V)
Back Light	LED
Back Light MTBF (Hours)	50,000
Touchscreen	
Type	P-CAP/ 5-wire resistive





Dimension

Unit: mm



Ordering Information

	Part Number	Display Type	Max Resolution	Luminance	View Angle	CPU	LAN	USB 3.2 Gen 1	USB 2.0	RS-232/422/485	Storage	RAM	Display	Internal Expansion	Mounting	Power	Operating Temp.	Touch	OMNI I/O Module Support
Panel PC	OMNI-2155HTT-BT-A1-1013	15.6" TFT LCD	1366 x 768	400 cd/m ²	160°(H) 140°(V)	Intel® Celeron® J1900, 2 GHz	2	1	3	1	CFast™ x 1 2.5" SATA HDD x 1	DDR3L, up to 8 GB	VGA x 1 HDMI x 1	Mini-Card x 2 (Full Size)	VESA 100/ Panel mount	DC 9-30V	-10°C-55°C with airflow	5-wire Resistive	Yes
	OMNI-2155HTT-BT-A2-1013	15.6" TFT LCD	1366 x 768	400 cd/m ²	160°(H) 140°(V)	Intel® N2807, 1.58 GHz	2	1	3	1	CFast™ x 1 2.5" SATA HDD x 1	DDR3L, up to 4 GB	VGA x 1 HDMI x 1		VESA 100/ Panel mount	DC 9-30V	-10°C-60°C with airflow	5-wire Resistive	Yes
	OMNI-2155HTT-BT-A3-1014	15.6" TFT LCD	1366 x 768	400 cd/m ²	160°(H) 140°(V)	Intel® Celeron® J1900, 2 GHz	2	1	3	1	CFast™ x 1 2.5" SATA HDD x 1	DDR3L, up to 8 GB	VGA x 1 HDMI x 1		VESA 100/ Panel mount	DC 9-30V	-10°C-55°C with airflow	Projected capacitive	Yes
	OMNI-2155HTT-BT-A4-1014	15.6" TFT LCD	1366 x 768	400 cd/m ²	160°(H) 140°(V)	Intel® N2807, 1.58 GHz	2	1	3	1	CFast™ x 1 2.5" SATA HDD x 1	DDR3L, up to 4 GB	VGA x 1 HDMI x 1		VESA 100/ Panel mount	DC 9-30V	-10°C-60°C with airflow	Projected capacitive	Yes
Panel Kit	OMNI-215DHTT-KIT-A1-1012	15.6" TFT LCD	1366 x 768	400 cd/m ²	160°(H) 140°(V)	—	—	—	—	—	—	—	—	—	—	—	-10°C-60°C with airflow	5-wire Resistive	No
	OMNI-215DHTT-KIT-A2-1013	15.6" TFT LCD	1366 x 768	400 cd/m ²	160°(H) 140°(V)	—	—	—	—	—	—	—	—	—	—	—	-10°C-60°C with airflow	Projected capacitive	No
CPU Box Kit	OMNI-BT-KIT-A1-1010	—	—	—	—	Intel® Celeron® J1900, 2 GHz	2	1	3	1	CFast™ x 1 2.5" SATA HDD x 1	DDR3L, up to 8 GB	VGA x 1 HDMI x 1	Mini-Card x 2 (Full Size)	VESA 100/ Panel mount	DC 9-30V	-10°C-55°C with airflow	—	Yes
	OMNI-BT-KIT-A2-1010	—	—	—	—	Intel® N2807, 1.58 GHz	2	1	3	1	CFast™ x 1 2.5" SATA HDD x 1	DDR3L, up to 4 GB	VGA x 1 HDMI x 1	Mini-Card x 2 (Full Size)	VESA 100/ Panel mount	DC 9-30V	-10°C-60°C with airflow	—	Yes

Note: * RAM not included

Packing List

- Phoenix Power Connector
- OMNI-2155

Optional Accessories

- AP-0T9789LA1000
LCD Monitor Stand 230mm, LA-100
- 170X000799
Power Cord (US Type)
- 170X000800
Power Cord (European Type)
- 170X000803
Power Cord (Japanese Type)
- 1255900849
12V 84W Power Adapter w/ 3pin Terminal Block
- 1700021500
Remote Switch Cable, 150 cm

OMNI Module (With AAEON Interface)

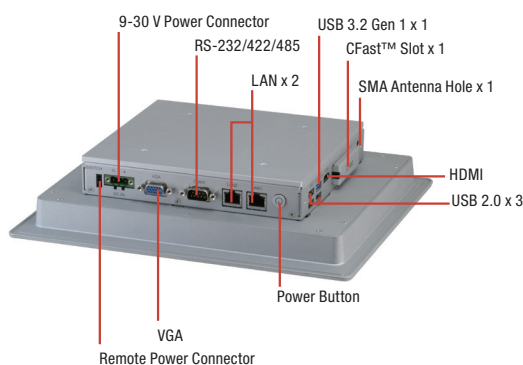
- 9741215501
Mini Card x 2, SIM x 2 Module
- 9741215502
Dual LAN Module
- 9741215506
DIO Module
- 9741215508
Audio Module
- 9741215510
HMS Kit (Europe Limitation)
- 9741215512
Wifi 802.11/b/g/n Module
- 9741215513
RS-485/422/232 x 2 Module
- 9741215515
USB/ COM/ LAN Module
- 9741215516
RS-485/422/232 x 4 Module
- 9741215517
Isolation RS-485/422/232 x 4 Module
- 9741215518
RS-485/422/232 x 2, DIO x 16 Module

Wide Temperature DRAM

- 9761215500
2GB Wide Temperature DRAM (-40°C ~ 95°C)
 - 9761215501
4GB Wide Temperature DRAM (-40°C ~ 95°C)
 - 9761215502
8GB Wide Temperature DRAM (-40°C ~ 95°C)
- **Users should select the wide temperature DRAM above and use wide temperature storage devices if the OMNI panel is to be mounted at over 40°C

OMNI-3105-BT

10.4" Modular HMI Panel PC with Intel® Celeron® J1900/ N2807 Processor



Features

- 10.4" (800 x 600) TFT LCD Display
- Intel® N2807/J1900 Processor
- P-CAP or Resistive Touch Screen Support
- Aluminum Design
- IP65 Compliant Front Bezel
- Fanless Operation



Specifications

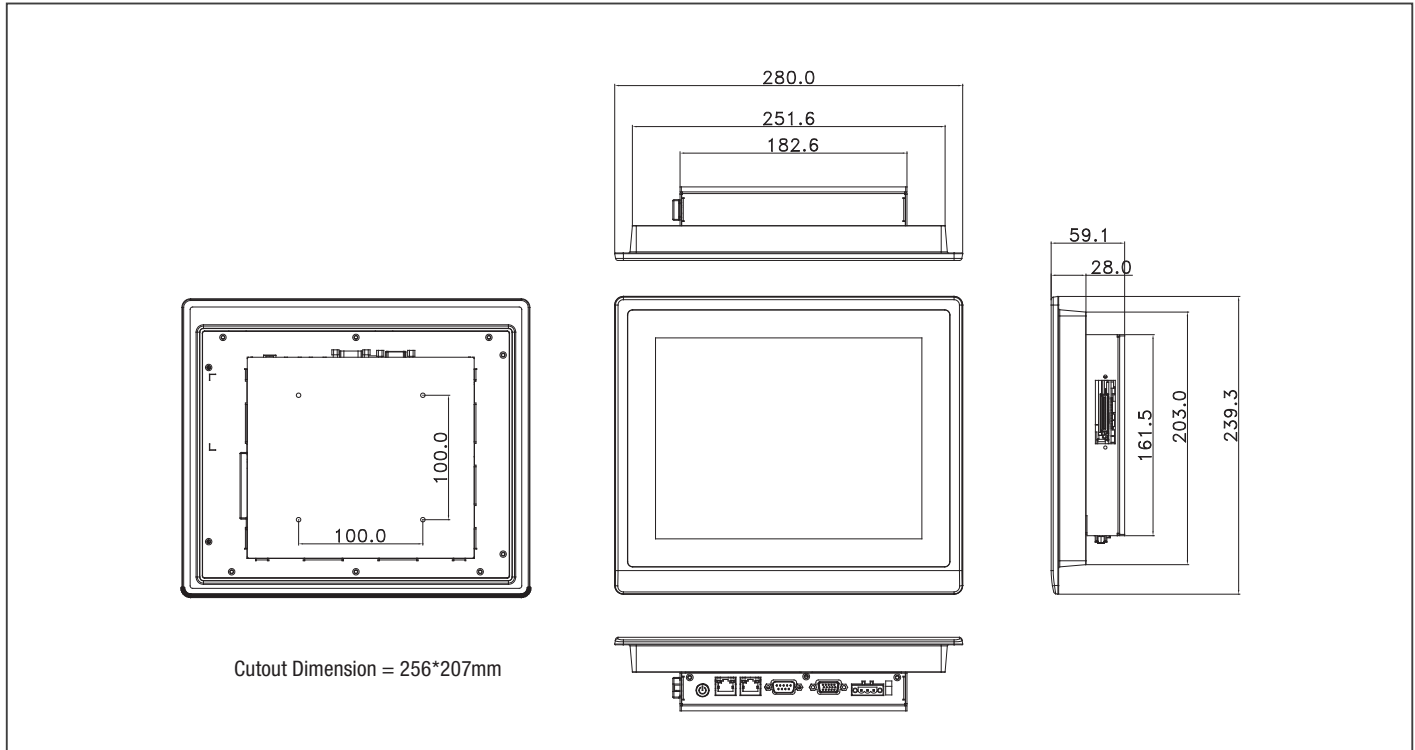
System	
Processor	Intel® N2807 processor, 1.58 GHz, Intel® Celeron® J1900 processor, 2 GHz
System Memory	204-pin DDR3L 1333MHz SODIMM x 1, up to 8 GB, (J1900) 204-pin DDR3L 1333MHz SODIMM x 1, up to 4 GB, (N2807)
LCD/CRT Controller	Integrated in processor
Ethernet	Intel® I211, 10/100/1000 Base-TX x 2
I/O Port	USB 2.0 Type A x 3 USB 3.2 Gen 1 Type A x 1 SMA Antenna hole x 1 HDMI x 1 CFast™ x 1 DB-9 x 1 for RS-232/422/485 RJ-45 x 2 for GbE LAN DB-15 x 1 for VGA 3-pin terminal block x1 for 9~30 Vdc power input LED Power on/off switch x 1 (Power on = Orange, Power off =N/A)
Storage Disk Drive	CFast™ x 1, 2.5" SATA HDD bay x 1
Expansion Slot	Full Size Mini card x 2, SIM card x 1, OMNI I/O connector x 1
OS support	Windows® 7, Windows® 8, Windows® 10, Linux Kernel 2.6.x or higher
Mechanical	
Construction	Aluminum design (IP65 Front Frame)
Mounting	VESA 100 / Panel Mount
Dimension	11.02" x 9.41" x 2.32" (280 mm x 239 mm x 59 mm)
Carton Dimension	16.34" x 7.05" x 15.39" (415mm x 179mm x 391mm)
Gross Weight	7.92 lb (3.6 kg)
Environmental	
Operating Temperature	14°F ~ 131°F (-10°C ~ 55°C) (J1900), 14°F ~ 140°F (-10°C ~ 60°C) (N2807) with 0.5 m/s airflow (CF & HDD)
Storage Temperature	-4°F ~ 158°F (-20°C ~ 70°C)
Storage Humidity	90% @40°C; non-condensing
Vibration	1 Grms/ 5~ 500Hz/ operation – with HDD
Shock	15 G peak acceleration (11 msec. duration) – with HDD
EMC	CE/FCC class A
Power Supply	
DC input	DC 9 (min.) ~ 30 (max.) V w/ 3-pin terminal block, ATX Power function
LCD	
Display Type	10.4" TFT-LCD, LED
Max Resolution	800 (H) x 600 (V)
Max. Colors	16.2M colors
Luminance	230 cd/m²
Viewing Angle	120° (H), 100° (V)
Back Light	LED
Back Light MTBF (Hours)	50,000
Touchscreen	
Type	P-CAP/ 5-wire resistive
Light Transmission	P-CAP (90% ± 3%) 5-wire Resistive (80% ± 3%)





Dimension

Unit: mm



Ordering Information

	Part Number	Display Type	Max Resolution	Luminance	View Angle	CPU	LAN	USB 3.2 Gen 1	USB 2.0	RS-232/422/485	Storage	RAM	Display	Internal Expansion	Mounting	Power	Operating Temp.	Touch	OMNI I/O Module Support
Panel PC	OMNI-3105HTT-BT-A1-1012	10.4" TFT LCD	800 x 600	230 cd/m ²	120°(H) 100°(V)	Intel® Celeron® J1900, 2 GHz	2	1	3	1	CFast™ x 1 2.5" SATA HDD x 1	DDR3L, up to 8 GB	VGA x 1 HDMI x 1	Mini-Card x 2 (Full Size)	VESA 100/ Panel mount	DC 9-30V	-10°C-55°C with airflow	5-wire Resistive	No
	OMNI-3105HTT-BT-A2-1012	10.4" TFT LCD	800 x 600	230 cd/m ²	120°(H) 100°(V)	Intel® N2807, 1.58 GHz	2	1	3	1	CFast™ x 1 2.5" SATA HDD x 1	DDR3L, up to 4 GB	VGA x 1 HDMI x 1		VESA 100/ Panel mount	DC 9-30V	-10°C-60°C with airflow	5-wire Resistive	No
	OMNI-3105HTT-BT-A3-1012	10.4" TFT LCD	800 x 600	230 cd/m ²	120°(H) 100°(V)	Intel® Celeron® J1900, 2 GHz	2	1	3	1	CFast™ x 1 2.5" SATA HDD x 1	DDR3L, up to 8 GB	VGA x 1 HDMI x 1		VESA 100/ Panel mount	DC 9-30V	-10°C-55°C with airflow	Projected capacitive	No
	OMNI-3105HTT-BT-A4-1012	10.4" TFT LCD	800 x 600	230 cd/m ²	120°(H) 100°(V)	Intel® N2807, 1.58 GHz	2	1	3	1	CFast™ x 1 2.5" SATA HDD x 1	DDR3L, up to 4 GB	VGA x 1 HDMI x 1		VESA 100/ Panel mount	DC 9-30V	-10°C-60°C with airflow	Projected capacitive	No
Panel Kit	OMNI-310DHTT-KIT-A1-1011	10.4" TFT LCD	800 x 600	230 cd/m ²	120°(H) 100°(V)	—	—	—	—	—	—	—	—	—	—	—	-10°C-60°C with airflow	5-wire Resistive	No
	OMNI-310DHTT-KIT-A2-1011	10.4" TFT LCD	800 x 600	230 cd/m ²	120°(H) 100°(V)	—	—	—	—	—	—	—	—	—	—	—	-10°C-60°C with airflow	Projected capacitive	No
CPU Box Kit	OMNI-BT-KIT-A1-1010	—	—	—	—	Intel® Celeron® J1900, 2 GHz	2	1	3	1	CFast™ x 1 2.5" SATA HDD x 1	DDR3L, up to 8 GB	VGA x 1 HDMI x 1	Mini-Card x 2 (Full Size)	VESA 100/ Panel mount	DC 9-30V	-10°C-55°C with airflow	—	Yes
	OMNI-BT-KIT-A2-1010	—	—	—	—	Intel® N2807, 1.58 GHz	2	1	3	1	CFast™ x 1 2.5" SATA HDD x 1	DDR3L, up to 4 GB	VGA x 1 HDMI x 1	Mini-Card x 2 (Full Size)	VESA 100/ Panel mount	DC 9-30V	-10°C-60°C with airflow	—	Yes

Note: * RAM not included

* Due to size limitation, OMNI Expansion Modules only support the panel size starting from 15" (excluding 10.4", 12.1") by OMNI slot interface.

Packing List

- Phoenix Power Connector
- OMNI-3105-BT

Optional Accessories

- **AP-0T9789LA1000**
LCD Monitor Stand 230mm, LA-100
- **170X000799**
Power Cord (US Type)
- **170X000800**
Power Cord (European Type)
- **170X000803**
Power Cord (Japanese Type)
- **1255900849**
12V 84W Power Adapter w/ 3pin Terminal Block
- **1700021500**
Remote Switch Cable, 150cm

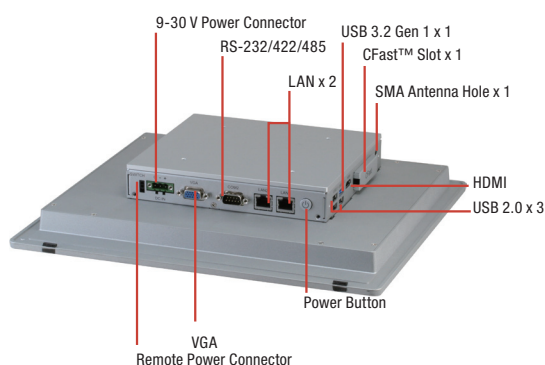
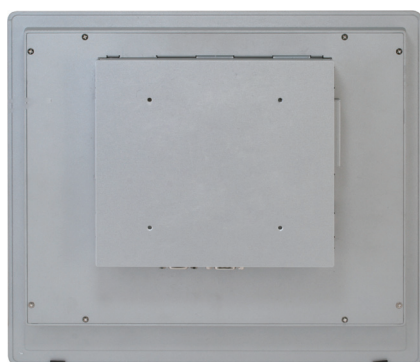
Wide Temperature DRAM

- **9761215500**
2GB Wide Temperature DRAM (-40°C ~ 95°C)
 - **9761215501**
4GB Wide Temperature DRAM (-40°C ~ 95°C)
 - **9761215502**
8GB Wide Temperature DRAM (-40°C ~ 95°C)
- **Users should select the wide temperature DRAM above and use wide temperature storage devices if the OMNI panel pc is to be operated at over 40°C



OMNI-3125-BT

12.1" Modular HMI Panel PC with Intel® Celeron® J1900/ N2807 Processor



Features

- 12.1" (1024 x 768) TFT LCD Display
- Intel® N2807/J1900 Processor
- P-CAP or Resistive Touch Screen Support
- Aluminum Design
- IP65 Compliant Front Bezel
- Fanless Operation



Specifications

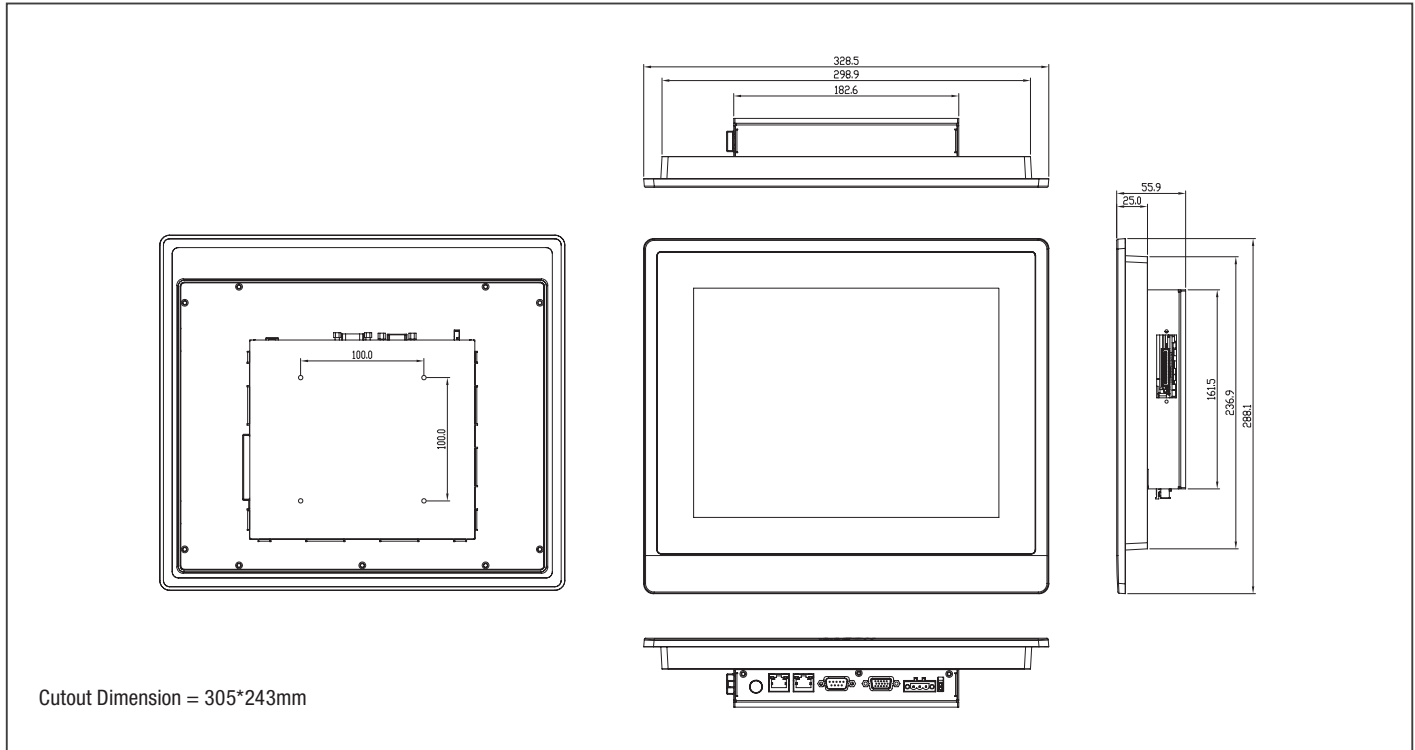
System	
Processor	Intel® N2807 processor, 1.58 GHz Intel® Celeron® J1900 processor, 2 GHz
System Memory	204-pin DDR3L 1333MHz SODIMM x 1, up to 8 GB, (J1900) 204-pin DDR3L 1333MHz SODIMM x 1, up to 4 GB, (N2807)
LCD/CRT Controller	Integrated in processor
Ethernet	Intel® I211, 10/100/1000 Base-TX x 2
I/O Port	USB 2.0 Type A x 3 USB 3.2 Gen 1 Type A x 1 SMA Antenna hole x 1 HDMI x 1, CFast™ x 1 DB-9 Type RS-232/422/485 x 1 RJ-45 Type for 10/100/1000Base-TX x 2 DB-15 x 1 for VGA 3-pin terminal block x1 for 9~30 Vdc power input LED Power on/off switch x1 (Power on = Orange, Power off =N/A)
Storage Disk Drive	CFast™ x 1, 2.5" SATA HDD bay x 1
Expansion Slot	Full Size Mini card x 2, SIM card x 1, OMNI I/O connector x 1
OS support	Windows® 7, Windows® 8, Windows® 10, Linux kernel 2.6.x or higher
Mechanical	
Construction	Aluminum design (IP65 Front Frame)
Mounting	VESA 100/ Panel Mount
Dimension	12.95" x 11.34" x 2.2" (329 mm x 288 mm x 56 mm)
Carton Dimension	20.87" x 17.52" x 7.87" (530mm x 445mm x 200mm)
Gross Weight	11 lb (5.0 kg)
Environmental	
Operating Temperature	14°F ~ 131°F (-10°C ~ 55°C) (J1900), 14°F ~ 140°F (-10°C ~ 60°C) (N2807) with 0.5 m/s airflow (CF & HDD)
Storage Temperature	-4°F ~ 158°F (-20°C ~ 70°C)
Storage Humidity	90% @40°C; non-condensing
Vibration	1 Grms/ 5~ 500Hz/ operation – with HDD
Shock	15 G peak acceleration (11 msec. duration) – with HDD
EMC	CE/FCC class A
Power Supply	
DC input	DC 9 (min.) ~ 30 (max.) V w/3-pin terminal block, ATX Power function
LCD	
Display Type	12.1" TFT-LCD, LED
Max Resolution	1024 (H) x 768 (V)
Max. Colors	16.2M colors
Luminance	500 cd/m²
Viewing Angle	160° (H), 160° (V)
Back Light	LED
Back Light MTBF (Hours)	50,000
Touchscreen	
Type	P-CAP/ 5-wire resistive
Light Transmission	P-CAP (90% ± 3%) 5-wire Resistive (80% ± 3%)





Dimension

Unit: mm



Ordering Information

	Part Number	Display Type	Max Resolution	Luminance	View Angle	CPU	LAN	USB 3.2 Gen 1	USB 2.0	RS-232/422/485	Storage	RAM	Display	Internal Expansion	Mounting	Power	Operating Temp.	Touch	OMNI I/O Module Support
Panel PC	OMNI-3125HTT-BT-A1-1012	12.1" TFT LCD	1024 X 768	500 cd/m ²	160°(H) 160°(V)	Intel® Celeron® J1900, 2 GHz	2	1	3	1	CFast™ x 1 2.5" SATA HDD x 1	DDR3L, up to 8 GB	VGA x 1 HDMI x 1	Mini-Card x 2 (Full Size)	VESA 100/ Panel mount	DC 9~30V	-10°C~55°C with airflow	5-wire Resistive	No
	OMNI-3125HTT-BT-A2-1012	12.1" TFT LCD	1024 X 768	500 cd/m ²	160°(H) 160°(V)	Intel® N2807, 1.58 GHz	2	1	3	1	CFast™ x 1 2.5" SATA HDD x 1	DDR3L, up to 4 GB	VGA x 1 HDMI x 1		VESA 100/ Panel mount	DC 9~30V	-10°C~60°C with airflow	5-wire Resistive	No
	OMNI-3125HTT-BT-A3-1012	12.1" TFT LCD	1024 X 768	500 cd/m ²	160°(H) 160°(V)	Intel® Celeron® J1900, 2 GHz	2	1	3	1	CFast™ x 1 2.5" SATA HDD x 1	DDR3L, up to 8 GB	VGA x 1 HDMI x 1		VESA 100/ Panel mount	DC 9~30V	-10°C~55°C with airflow	Projected capacitive	No
	OMNI-3125HTT-BT-A4-1012	12.1" TFT LCD	1024 X 768	500 cd/m ²	160°(H) 160°(V)	Intel® N2807, 1.58 GHz	2	1	3	1	CFast™ x 1 2.5" SATA HDD x 1	DDR3L, up to 4 GB	VGA x 1 HDMI x 1		VESA 100/ Panel mount	DC 9~30V	-10°C~60°C with airflow	Projected capacitive	No
Panel Kit	OMNI-312DHTT-KIT-A1-1011	12.1" TFT LCD	1024 X 768	500 cd/m ²	160°(H) 160°(V)	—	—	—	—	—	—	—	—	—	—	—	-10°C~60°C with airflow	5-wire Resistive	No
	OMNI-312DHTT-KIT-A2-1011	12.1" TFT LCD	1024 X 768	500 cd/m ²	160°(H) 160°(V)	—	—	—	—	—	—	—	—	—	—	—	-10°C~60°C with airflow	Projected capacitive	No
CPU Box Kit	OMNI-BT-KIT-A1-1010	—	—	—	—	Intel® Celeron® J1900, 2 GHz	2	1	3	1	CFast™ x 1 2.5" SATA HDD x 1	DDR3L, up to 8 GB	VGA x 1 HDMI x 1	Mini-Card x 2 (Full Size)	VESA 100/ Panel mount	DC 9~30V	-10°C~55°C with airflow	—	Yes
	OMNI-BT-KIT-A2-1010	—	—	—	—	Intel® N2807, 1.58 GHz	2	1	3	1	CFast™ x 1 2.5" SATA HDD x 1	DDR3L, up to 4 GB	VGA x 1 HDMI x 1	Mini-Card x 2 (Full Size)	VESA 100/ Panel mount	DC 9~30V	-10°C~60°C with airflow	—	Yes

Note: * RAM not included

* Due to size limitation, OMNI Expansion Modules only support the panel size starting from 15" (excluding 10.4", 12.1") by OMNI slot interface.

Packing List

- Phoenix Power Connector
- OMNI-3125-BT

Optional Accessories

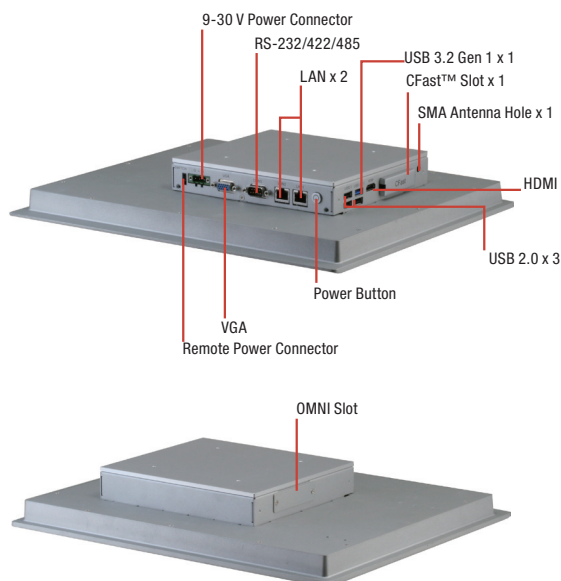
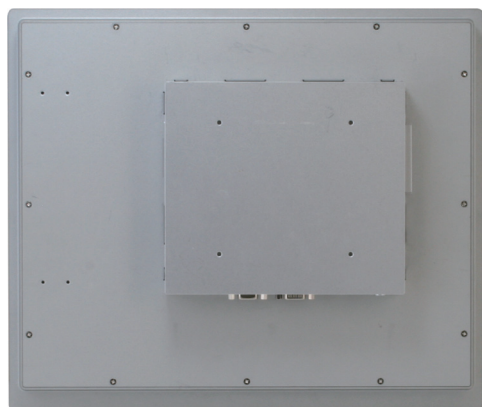
- AP-OT9789LA1000
LCD Monitor Stand 230mm, LA-100
- 170X000799
Power Cord (US Type)
- 170X000800
Power Cord (European Type)
- 170X000803
Power Cord (Japanese Type)
- 1255900849
12V 84W Power Adapter w/ 3pin Terminal Block
- 9741312500
Panel Mount Kit for OMNI-3125-BT

Wide Temperature DRAM

- 9761215500
2GB Wide Temperature DRAM (-40°C ~ 95°C)
 - 9761215501
4GB Wide Temperature DRAM (-40°C ~ 95°C)
 - 9761215502
8GB Wide Temperature DRAM (-40°C ~ 95°C)
- **Users should select the wide temperature DRAM above and use wide temperature storage devices if the OMNI panel pc is to be operated at over 40°C.

OMNI-3155-BT

15" Modular HMI Panel PC with Intel® Celeron® J1900/ N2807 Processor



Features

- 15" (1024 x 768) TFT LCD Display
- Intel® N2807/J1900 Processor
- P-CAP or Resistive Touch Screen Support
- Aluminum Design
- IP65 Compliant Front Bezel
- Fanless Operation
- Easily Expandable I/O by AAEON OMNI I/O Modules



Specifications

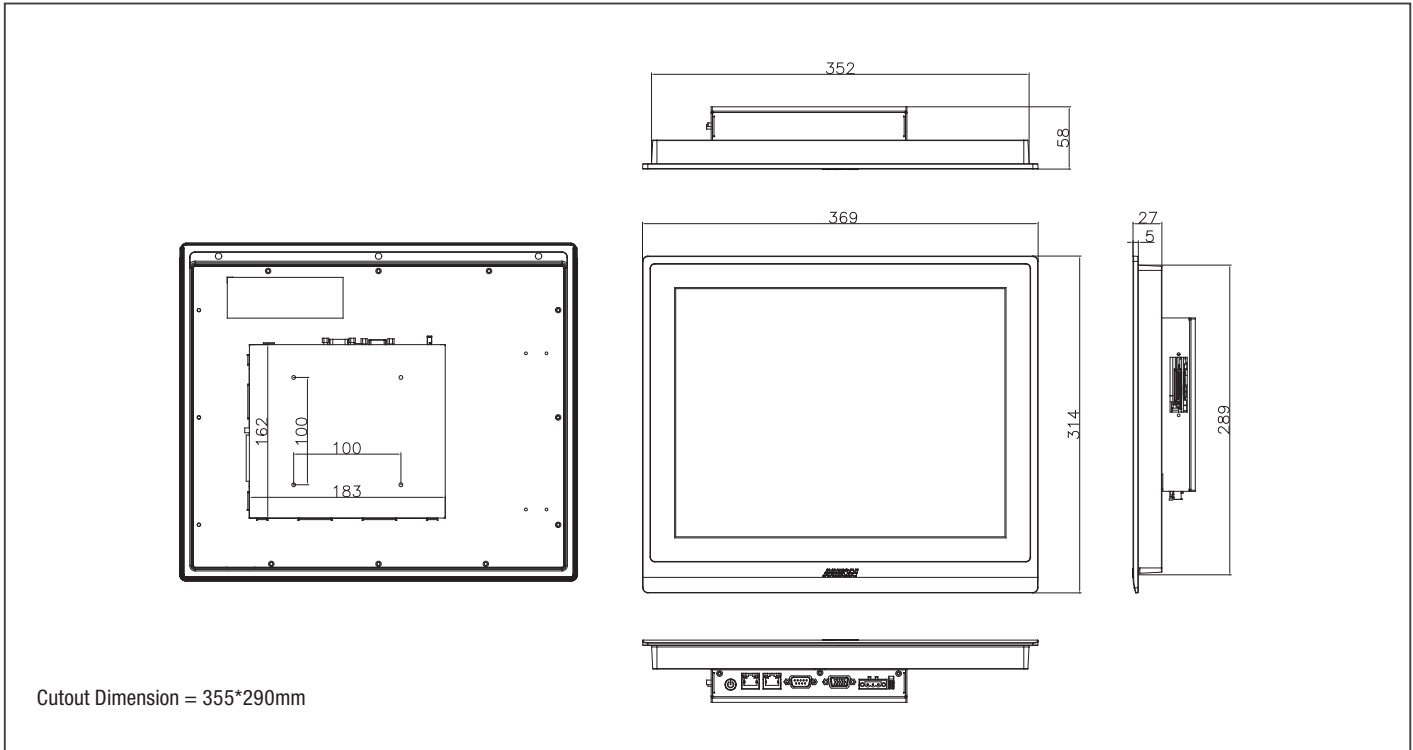
System	
Processor	Intel® N2807 processor, 1.58 GHz Intel® Celeron® J1900 processor, 2 GHz
System Memory	204-pin DDR3L 1333MHz SODIMM x 1, up to 8 GB, (J1900) 204-pin DDR3L 1333MHz SODIMM x 1, up to 4 GB, (N2807)
LCD/CRT Controller	Integrated in processor
Ethernet	Intel® I211, 10/100/1000 Base-TX x 2
I/O Port	USB 2.0 Type A x 3 USB 3.2 Gen 1 Type A x 1 SMA Antenna hole x 1 HDMI x 1, CFast™ x 1 DB-9 Type RS-232/422/485 x 1 RJ-45 Type for 10/100/1000Base-TX x 2 DB-15 x 1 for VGA 3-pin terminal block x1 for 9~30 Vdc power input LED Power on/off switch x1 (Power on = Orange, Power off =N/A)
Storage Disk Drive	CFast™ x 1, 2.5" SATA HDD bay x 1
Expansion Slot	Full Size Mini card x 2, SIM card x 1, OMNI I/O connector x 1
OS support	Windows® 7, Windows® 8, Windows® 10, Linux kernel 2.6.x or higher
Mechanical	
Construction	Aluminum design (IP65 Front Frame)
Mounting	VESA 100 / Panel Mount
Dimension	14.53" x 12.36" x 2.28" (369 mm x 314 mm x 58 mm)
Carton Dimension	20.08" x 9.84" x 18.11" (510mm x 250mm x 460mm)
Gross Weight	13.97 lb (6.35 kg)
Environmental	
Operating Temperature	14°F ~ 131°F (-10°C ~ 55°C) (J1900), 14°F ~ 140°F (-10°C ~ 60°C) (N2807) with 0.5 m/s airflow (CF & HDD)
Storage Temperature	-4°F ~ 158°F (-20°C ~ 70°C)
Storage Humidity	90% @40°C; non-condensing
Vibration	1 Grms/ 5~ 500Hz/ operation – with HDD
Shock	15 G peak acceleration (11 msec. duration) – with HDD
EMC	CE/FCC class A
Power Supply	
DC input	DC 9 (min.) ~ 30 (max.) V w/3-pin terminal block, ATX Power function
LCD	
Display Type	15" TFT-LCD, LED
Max Resolution	1024 (H) x 768 (V)
Max. Colors	16.2M (8bit/color)
Luminance	300 cd/m ²
Viewing Angle	176° (H), 176° (V)
Back Light	LED
Back Light MTBF (Hours)	70,000
Touchscreen	
Type	P-CAP/ 5-wire resistive
Light Transmission	P-CAP (90% ± 2%), 5-wire Resistive (80% ± 2%)





Dimension

Unit: mm



Ordering Information

	Part Number	Display Type	Max Resolution	Luminance	View Angle	CPU	LAN	USB 3.2 Gen 1	USB 2.0	RS-232/422/485	Storage	RAM	Display	Internal Expansion	Mounting	Power	Operating Temp.	Touch	OMNI I/O Module Support
Panel PC	OMNI-3155HTT-BT-A1-1013	15" TFT LCD	1024 x 768	300 cd/m ²	176° (H), 176° (V)	Intel® Celeron® J1900, 2 GHz	2	1	3	1	CFast™ x 1 2.5" SATA HDD x 1	DDR3L, up to 8 GB	VGA x 1 HDMI x 1	Mini-Card x 2 (Full Size)	VESA 100/ Panel mount	DC 9~30V	-10°C~55°C with airflow	5-wire Resistive	Yes
	OMNI-3155HTT-BT-A2-1013	15" TFT LCD	1024 x 768	300 cd/m ²	176° (H), 176° (V)	Intel® N2807, 1.58 GHz	2	1	3	1	CFast™ x 1 2.5" SATA HDD x 1	DDR3L, up to 4 GB	VGA x 1 HDMI x 1		VESA 100/ Panel mount	DC 9~30V	-10°C~60°C with airflow	5-wire Resistive	Yes
	OMNI-3155HTT-BT-A3-1013	15" TFT LCD	1024 x 768	300 cd/m ²	176° (H), 176° (V)	Intel® Celeron® J1900, 2 GHz	2	1	3	1	CFast™ x 1 2.5" SATA HDD x 1	DDR3L, up to 8 GB	VGA x 1 HDMI x 1		VESA 100/ Panel mount	DC 9~30V	-10°C~55°C with airflow	Projected capacitive	Yes
	OMNI-3155HTT-BT-A4-1013	15" TFT LCD	1024 x 768	300 cd/m ²	176° (H), 176° (V)	Intel® N2807, 1.58 GHz	2	1	3	1	CFast™ x 1 2.5" SATA HDD x 1	DDR3L, up to 4 GB	VGA x 1 HDMI x 1		VESA 100/ Panel mount	DC 9~30V	-10°C~60°C with airflow	Projected capacitive	Yes
Panel Kit	OMNI-315DHTT-KIT-A1-1012	15" TFT LCD	1024 x 768	300 cd/m ²	176° (H), 176° (V)	—	—	—	—	—	—	—	—	—	—	—	-10°C~60°C with airflow	5-wire Resistive	No
	OMNI-315DHTT-KIT-A2-1012	15" TFT LCD	1024 x 768	300 cd/m ²	176° (H), 176° (V)	—	—	—	—	—	—	—	—	—	—	—	-10°C~60°C with airflow	Projected capacitive	No
CPU Box Kit	OMNI-BT-KIT-A1-1010	—	—	—	—	Intel® Celeron® J1900, 2 GHz	2	1	3	1	CFast™ x 1 2.5" SATA HDD x 1	DDR3L, up to 8 GB	VGA x 1 HDMI x 1	Mini-Card x 2 (Full Size)	VESA 100/ Panel mount	DC 9~30V	-10°C~55°C with airflow	—	Yes
	OMNI-BT-KIT-A2-1010	—	—	—	—	Intel® N2807, 1.58 GHz	2	1	3	1	CFast™ x 1 2.5" SATA HDD x 1	DDR3L, up to 4 GB	VGA x 1 HDMI x 1	Mini-Card x 2 (Full Size)	VESA 100/ Panel mount	DC 9~30V	-10°C~60°C with airflow	—	Yes

Note: * RAM not included

Packing List

- Phoenix Power Connector
- OMNI-3155-BT

Optional Accessories

- AP-0T9789LA1000
LCD Monitor Stand 230mm, LA-100
- 170X000799
Power Cord (US Type)
- 170X000800
Power Cord (European Type)
- 170X000803
Power Cord (Japanese Type)
- 1255900849
12V 84W Power Adapter w/ 3pin Terminal Block
- 1700021500
Remote Switch Cable, 150 cm

OMNI Module (with AAEON Interface)

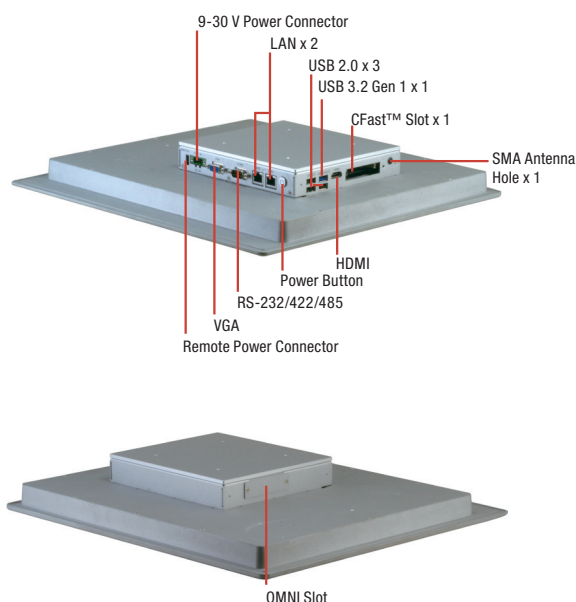
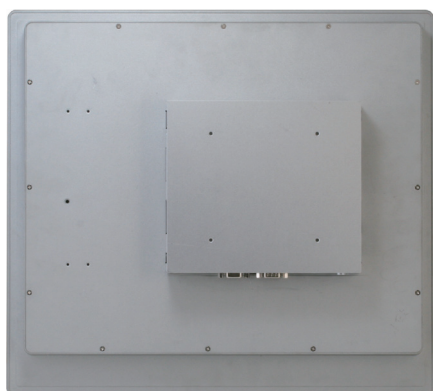
- 9741215501
Mini Card x 2, SIM x 2 Module
- 9741215502
Dual LAN Module
- 9741215506
DIO Module
- 9741215508
Audio Module
- 9741215510
HMS Kit (Europe Limitation)
- 9741215512
Wifi 802.11/b/g/n Module
- 9741215513
RS-485/422/232 x 2 Module
- 9741215515
USB / COM / LAN Module
- 9741215516
RS-485/422/232 x 4 Module
- 9741215517
Isolation RS-485/422/232 x 4 Module
- 9741215518
RS-485/422/232 x 2, DIO x 16 Module

Wide Temperature DRAM

- 9761215500
2GB Wide Temperature DRAM (-40°C ~ 95°C)
 - 9761215501
4GB Wide Temperature DRAM (-40°C ~ 95°C)
 - 9761215502
8GB Wide Temperature DRAM (-40°C ~ 95°C)
- **Users should select the wide temperature DRAM above and use wide temperature storage devices if the OMNI panel is to be operated at over 40°C

OMNI-3175-BT

17" Modular HMI Panel PC with Intel® Celeron® J1900/ N2807 Processor



Features

- 17" (1280 x 1024) TFT LCD Display
- Intel® N2807/J1900 Processor
- P-CAP or Resistive Touch Screen Support
- Aluminum Design
- IP65 Compliant Front Bezel
- Fanless Operation
- Easily Expandable I/O by AAEON OMNI I/O Modules



Specifications

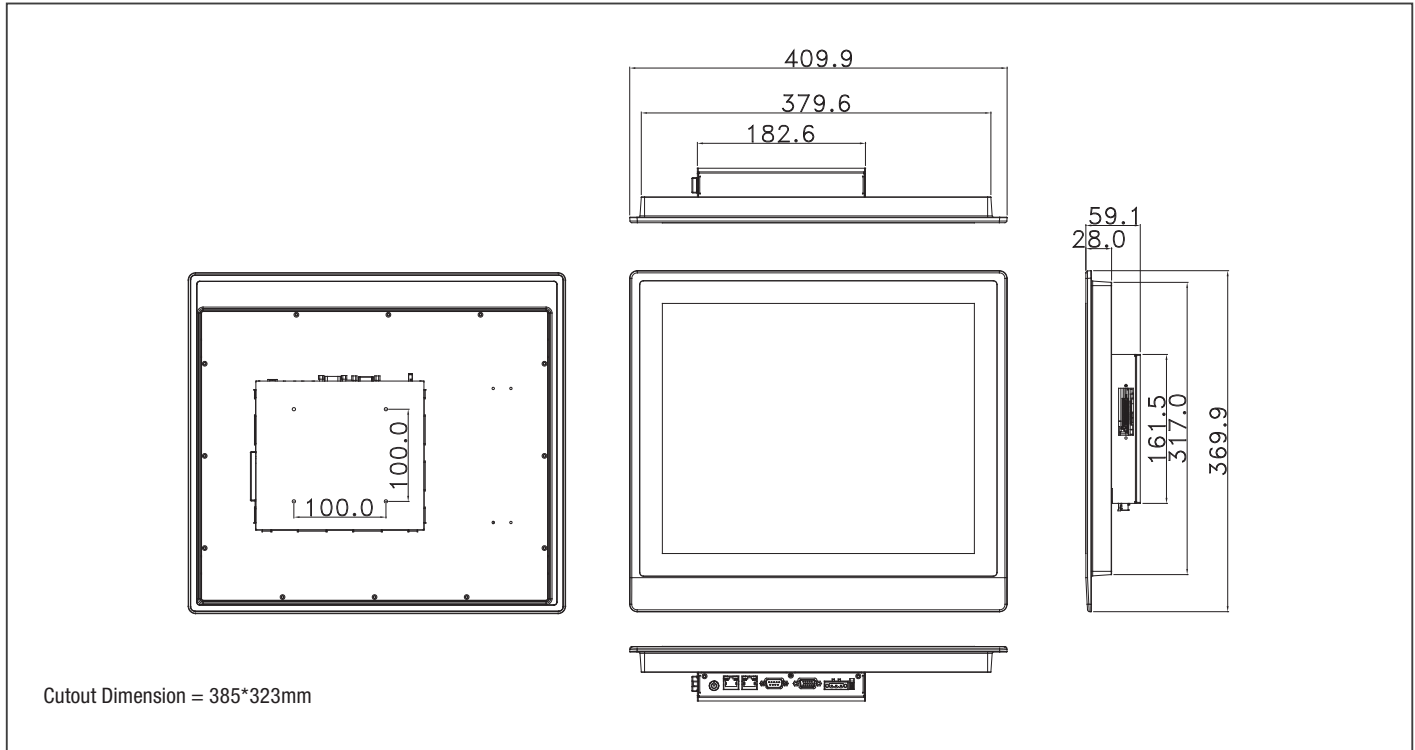
System	
Processor	Intel® N2807 processor, 1.58 GHz Intel® Celeron® J1900 processor, 2 GHz
System Memory	204-pin DDR3L 1333MHz SODIMM x 1, up to 8 GB, (J1900) 204-pin DDR3L 1333MHz SODIMM x 1, up to 4 GB, (N2807)
LCD/CRT Controller	Integrated in processor
Ethernet	Intel® I211, 10/100/1000 Base-TX x 2
I/O Port	USB 2.0 Type A x 3, USB 3.2 Gen 1 Type A x 1 SMA Antenna hole x 1 HDMI x 1 CFast™ x 1 DB-9 Type RS-232/422/485 x 1 RJ-45 Type for 10/100/1000Base-TX x 2 DB-15 x 1 for VGA 3-pin terminal block x1 for 9~30 Vdc power input LED Power on/off switch x1 (Power on = Orange, Power off =N/A)
Storage Disk Drive	CFast™ x 1, 2.5" SATA HDD bay x 1
Expansion Slot	Mini card x 2, SIM card x 1, OMNI I/O connector x 1
OS support	Windows® 7, Windows® 8, Windows® 10, Linux kernel 2.6.x or higher
Mechanical	
Construction	Aluminum design (IP65 Front Frame)
Mounting	VESA 100/Panel Mount
Dimension	16.14" x 14.57" x 2.32" (410mm x 370mm x 59mm)
Carton Dimension	20.55" x 10.31" x 19.29" (522mm x 262mm x 490mm)
Gross Weight	15.84 lb (7.2 kg)
Environmental	
Operating Temperature	14°F ~ 131°F (-10°C ~ 55°C) (J1900), 14°F ~ 140°F (-10°C ~ 60°C) (N2807) with 0.5 m/s airflow (CF & HDD)
Storage Temperature	-4°F ~ 158°F (-20°C ~ 70°C)
Storage Humidity	90% @40°C; non-condensing
Vibration	1 Grms/ 5~ 500Hz/ operation – with HDD
Shock	15 G peak acceleration (11 msec. duration) – with HDD
EMC	CE/FCC class A
Power Supply	
DC input	DC 9 (min.) ~ 30 (max.) V w/3-pin terminal block, ATX Power function
LCD	
Display Type	17" TFT-LCD, LED
Max Resolution	1280 (H) x 1024 (V)
Max. Colors	16.7M colors (RGB 6-bits + Hi-FRC data)
Luminance	350 cd/m²
Viewing Angle	170° (H), 160° (V)
Back Light	LED
Back Light MTBF (Hours)	50,000
Touchscreen	
Type	P-CAP/ 5-wire resistive
Light Transmission	P-CAP (>85%) 5-wire Resistive (80% + 5%)





Dimension

Unit: mm



Ordering Information

	Part Number	Display Type	Max Resolution	Luminance	View Angle	CPU	LAN	USB 3.2 Gen 1	USB 2.0	RS-232/422/485	Storage	RAM	Display	Internal Expansion	Mounting	Power	Operating Temp.	Touch	OMNI I/O Module Support
Panel PC	OMNI-3175HTT-BT-A1-1012	17" TFT LCD	1280 x 1024	350 cd/m ²	170°(H) 160°(V)	Intel® Celeron® J1900, 2 GHz	2	1	3	1	CFast™ x 1 2.5" SATA HDD x 1	DDR3L, up to 8 GB	VGA x 1 HDMI x 1	Mini-Card x 2 (Full Size)	VESA 100/ Panel mount	DC 9~30V	-10°C~55°C with airflow	5-wire Resistive	Yes
	OMNI-3175HTT-BT-A2-1012	17" TFT LCD	1280 x 1024	350 cd/m ²	170°(H) 160°(V)	Intel® N2807, 1.58 GHz	2	1	3	1	CFast™ x 1 2.5" SATA HDD x 1	DDR3L, up to 4 GB	VGA x 1 HDMI x 1		VESA 100/ Panel mount	DC 9~30V	-10°C~60°C with airflow	5-wire Resistive	Yes
	OMNI-3175HTT-BT-A3-1011	17" TFT LCD	1280 x 1024	350 cd/m ²	170°(H) 160°(V)	Intel® Celeron® J1900, 2 GHz	2	1	3	1	CFast™ x 1 2.5" SATA HDD x 1	DDR3L, up to 8 GB	VGA x 1 HDMI x 1		VESA 100/ Panel mount	DC 9~30V	-10°C~55°C with airflow	Projected capacitive	Yes
	OMNI-3175HTT-BT-A4-1011	17" TFT LCD	1280 x 1024	350 cd/m ²	170°(H) 160°(V)	Intel® N2807, 1.58 GHz	2	1	3	1	CFast™ x 1 2.5" SATA HDD x 1	DDR3L, up to 4 GB	VGA x 1 HDMI x 1		VESA 100/ Panel mount	DC 9~30V	-10°C~60°C with airflow	Projected capacitive	Yes
Panel Kit	OMNI-317DHTT-KIT-A1-1012	17" TFT LCD	1280 x 1024	350 cd/m ²	170°(H) 160°(V)	—	—	—	—	—	—	—	—	—	—	—	-10°C~60°C with airflow	5-wire Resistive	No
	OMNI-317DHTT-KIT-A2-1011	17" TFT LCD	1280 x 1024	350 cd/m ²	170°(H) 160°(V)	—	—	—	—	—	—	—	—	—	—	—	-10°C~60°C with airflow	Projected capacitive	No
CPU Box Kit	OMNI-BT-KIT-A1-1010	—	—	—	—	Intel® Celeron® J1900, 2 GHz	2	1	3	1	CFast™ x 1 2.5" SATA HDD x 1	DDR3L, up to 8 GB	VGA x 1 HDMI x 1	Mini-Card x 2 (Full Size)	VESA 100/ Panel mount	DC 9~30V	-10°C~55°C with airflow	—	Yes
	OMNI-BT-KIT-A2-1010	—	—	—	—	Intel® N2807, 1.58 GHz	2	1	3	1	CFast™ x 1 2.5" SATA HDD x 1	DDR3L, up to 4 GB	VGA x 1 HDMI x 1	Mini-Card x 2 (Full Size)	VESA 100/ Panel mount	DC 9~30V	-10°C~60°C with airflow	—	Yes

Note: * RAM not included

Packing List

- Phoenix Power Connector
- OMNI-3175-BT

Optional Accessories

- AP-0T9789LA1000
LCD Monitor Stand 230mm, LA-100
- 170X000799
Power Cord (US Type)
- 170X000800
Power Cord (European Type)
- 170X000803
Power Cord (Japanese Type)
- 1255900849
12V 84W Power Adapter w/ 3pin Terminal Block
- 1700021500
Remote Switch Cable, 150 cm

OMNI Module (With AAEON Interface)

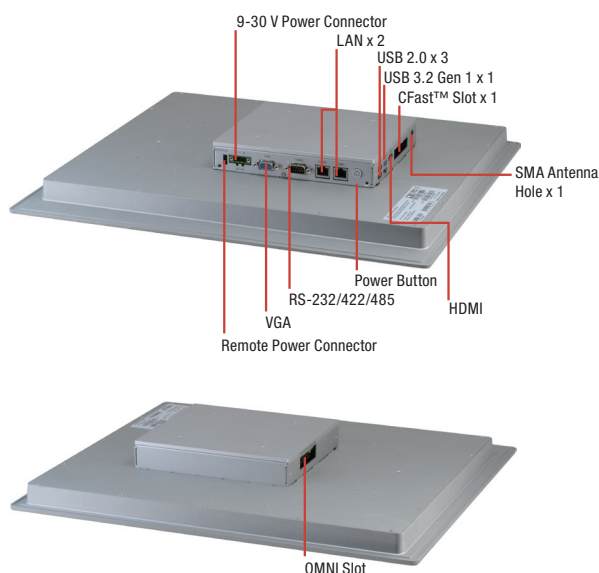
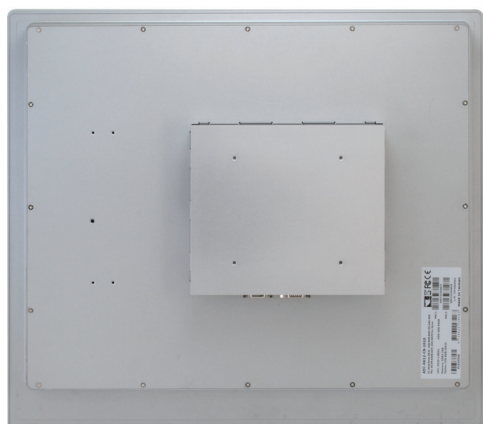
- 9741215501
Mini Card x 2, SIM x 2 Module
- 9741215502
Dual LAN Module
- 9741215506
DIO Module
- 9741215508
Audio Module
- 9741215510
HMS Kit (Europe Limitation)
- 9741215512
Wifi 802.11/b/g/n Module
- 9741215513
RS-485/422/232 x 2 Module
- 9741215515
USB / COM / LAN Module
- 9741215516
RS-485/422/232 x 4 Module
- 9741215517
Module
- 9741215518
Isolation RS-485/422/232 x 4 Module
- 9741215518
RS-485/422/232 x 2, DIO x 16 Module

Wide Temperature DRAM

- 9761215500
2GB Wide Temperature DRAM (-40°C ~ 95°C)
 - 9761215501
4GB Wide Temperature DRAM (-40°C ~ 95°C)
 - 9761215502
8GB Wide Temperature DRAM (-40°C ~ 95°C)
- **Users should select the wide temperature DRAM above and use wide temperature storage devices if the OMNI panel is to be operated at over 40°C

OMNI-3195-BT

19" Modular HMI Panel PC with Intel® Celeron® J1900/ N2807 Processor



Features

- 19" (1280 x 1024) TFT LCD Display
- Intel® N2807/J1900 Processor
- P-CAP or Resistive Touch Screen Support
- Aluminum Design
- IP65 Compliant Front Bezel
- Fanless Operation
- Easily Expandable I/O by AAEON OMNI I/O Modules



Specifications

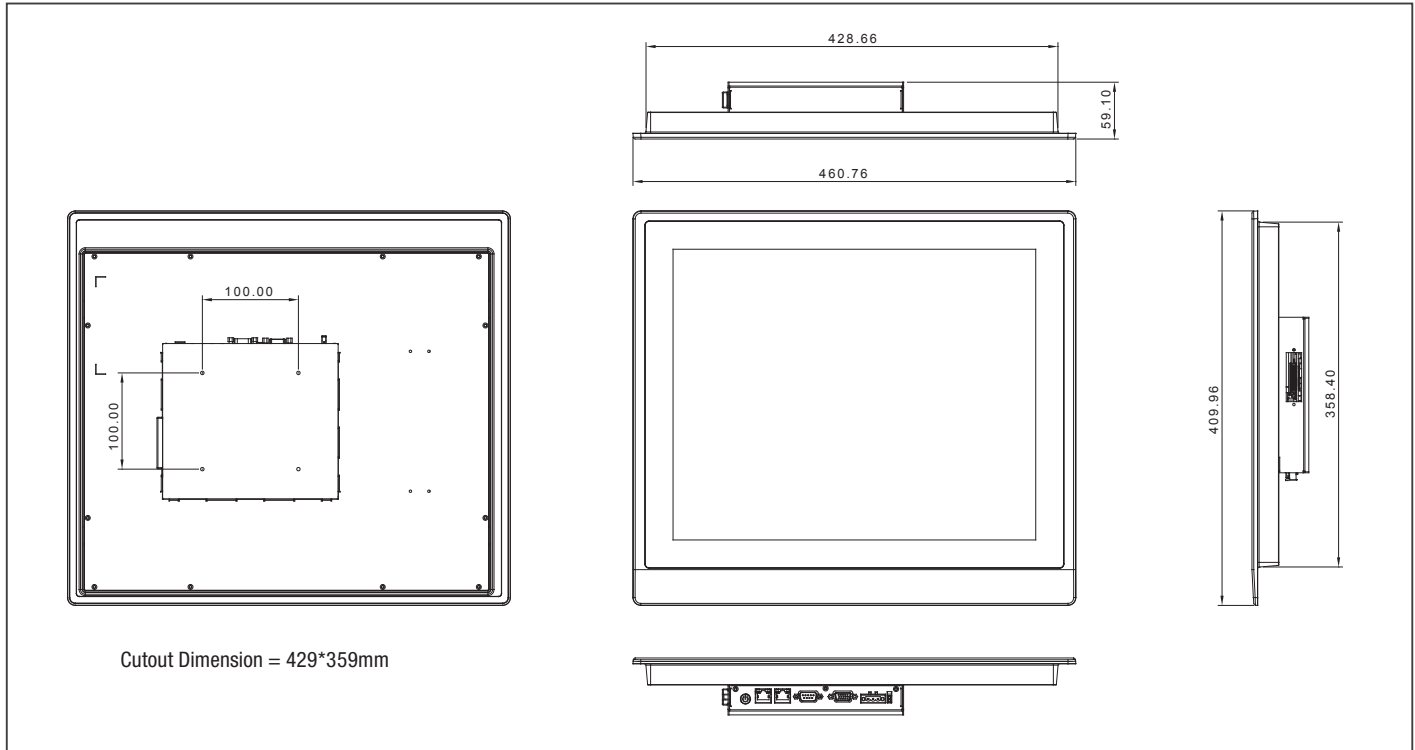
System	
Processor	Intel® N2807 processor, 1.58 Ghz Intel® Celeron® J1900 processor, 2 Ghz
System Memory	204-pin DDR3L 1333MHz SODIMM x 1, up to 8 GB, (J1900) 204-pin DDR3L 1333MHz SODIMM x 1, up to 4 GB, (N2807)
LCD/CRT Controller	Integrated in processor
Ethernet	Intel® I211, 10/100/1000 Base-TX x 2
I/O Port	USB 2.0 Type A x 3, USB 3.2 Gen 1 Type A x 1 SMA Antenna hole x 1 HDMI x 1 CFast™ x 1 DB-9 Type RS-232/422/485 x 1 RJ-45 Type for 10/100/1000 Base-TX x 2 DB-15 x 1 for VGA 3-pin terminal block x1 for 9~30 Vdc power input LED Power on/off switch x1 (Power on = Orange, Power off =N/A)
Storage Disk Drive	CFast™ x 1, 2.5" SATA HDD bay x 1
Expansion Slot	Full Size Mini card x 2, SIM card x 2, OMNI I/O connector x 1
OS support	Windows® 7, Windows® 8, Windows® 10, Linux kernel 2.6.x or higher
Mechanical	
Construction	Aluminum design (IP65 Front Frame)
Mounting	VESA 100/Panel mount
Dimension	18.15" x 16.14" x 2.32" (461 mm x 410 mm x 59 mm)
Carton Dimension	26.02" x 8.11" x 19.53" (661mm x 206mm x 496mm)
Gross Weight	19.36 lb (8.8 kg)
Environmental	
Operating Temperature	14°F ~ 131°F (-10°C ~ 55°C) (J1900), 14°F ~ 140°F (-10°C ~ 60°C) (N2807) with 0.5 m/s airflow (CF & HDD)
Storage Temperature	-4°F ~ 158°F (-20°C ~ 70°C)
Storage Humidity	90% @40°C; non-condensing
Vibration	1 Grms/ 5~ 500Hz/ operation – with HDD
Shock	15 G peak acceleration (11 msec. duration) – with HDD
EMC	CE/FCC class A
Power Supply	
DC input	DC 9 (min.) ~ 30 (max.) V w/3-pin terminal block, ATX Power function
LCD	
Display Type	19" TFT-LCD, LED
Max Resolution	1280 (H) x 1024 (V)
Max. Colors	16.7M colors
Luminance	350 cd/m²
Viewing Angle	170° (H), 160° (V)
Back Light	LED
Back Light MTBF (Hours)	50,000
Touchscreen	
Type	P-CAP/ 5-wire resistive
Light Transmission	P-CAP (>85%) 5-wire Resistive (80% + 5%)





Dimension

Unit: mm



Ordering Information

	Part Number	Display Type	Max Resolution	Luminance	View Angle	CPU	LAN	USB 3.2 Gen 1	USB 2.0	RS-232/422/485	Storage	RAM	Display	Internal Expansion	Mounting	Power	Operating Temp.	Touch	OMNI I/O Module Support
Panel PC	OMNI-3195HTT-BT-A1-1013	19" TFT LCD	1280 x 1024	350 cd/m ²	170°(H) 160°(V)	Intel® Celeron® J1900, 2 GHz	2	1	3	1	CFast™ x 1 2.5" SATA HDD x 1	DDR3L, up to 8 GB	VGA x 1 HDMI x 1	Mini-Card x 2 (Full Size)	VESA 100/ Panel mount	DC 9-30V	-10°C-55°C with airflow	5-wire Resistive	Yes
	OMNI-3195HTT-BT-A2-1013	19" TFT LCD	1280 x 1024	350 cd/m ²	170°(H) 160°(V)	Intel® N2807, 1.58 GHz	2	1	3	1	CFast™ x 1 2.5" SATA HDD x 1	DDR3L, up to 4 GB	VGA x 1 HDMI x 1		VESA 100/ Panel mount	DC 9-30V	-10°C-60°C with airflow	5-wire Resistive	Yes
	OMNI-3195HTT-BT-A3-1013	19" TFT LCD	1280 x 1024	350 cd/m ²	170°(H) 160°(V)	Intel® Celeron® J1900, 2 GHz	2	1	3	1	CFast™ x 1 2.5" SATA HDD x 1	DDR3L, up to 8 GB	VGA x 1 HDMI x 1		VESA 100/ Panel mount	DC 9-30V	-10°C-55°C with airflow	Projected capacitive	Yes
	OMNI-3195HTT-BT-A4-1013	19" TFT LCD	1280 x 1024	350 cd/m ²	170°(H) 160°(V)	Intel® N2807, 1.58 GHz	2	1	3	1	CFast™ x 1 2.5" SATA HDD x 1	DDR3L, up to 4 GB	VGA x 1 HDMI x 1		VESA 100/ Panel mount	DC 9-30V	-10°C-60°C with airflow	Projected capacitive	Yes
Panel Kit	OMNI-319DHTT-KIT-A1-1012	19" TFT LCD	1280 x 1024	350 cd/m ²	170°(H) 160°(V)	—	—	—	—	—	—	—	—	—	—	—	-10°C-60°C with airflow	5-wire Resistive	No
	OMNI-319DHTT-KIT-A2-1011	19" TFT LCD	1280 x 1024	350 cd/m ²	170°(H) 160°(V)	—	—	—	—	—	—	—	—	—	—	—	-10°C-60°C with airflow	Projected capacitive	No
CPU Box Kit	OMNI-BT-KIT-A1-1010	—	—	—	—	Intel® Celeron® J1900, 2 GHz	2	1	3	1	CFast™ x 1 2.5" SATA HDD x 1	DDR3L, up to 8 GB	VGA x 1 HDMI x 1	Mini-Card x 2 (Full Size)	VESA 100/ Panel mount	DC 9-30V	-10°C-55°C with airflow	—	Yes
	OMNI-BT-KIT-A2-1010	—	—	—	—	Intel® N2807, 1.58 GHz	2	1	3	1	CFast™ x 1 2.5" SATA HDD x 1	DDR3L, up to 4 GB	VGA x 1 HDMI x 1	Mini-Card x 2 (Full Size)	VESA 100/ Panel mount	DC 9-30V	-10°C-60°C with airflow	—	Yes

Note: * RAM not included

Packing List

- Phoenix Power Connector
- OMNI-3195-BT

Optional Accessories

- AP-0T9789LA1000
LCD Monitor Stand 230mm, LA-100
- 170X000799
Power Cord (US Type)
- 170X000800
Power Cord (European Type)
- 170X000803
Power Cord (Japanese Type)
- 1255900849
12V 84W Power Adapter w/ 3pin Terminal Block
- 1700021500
Remote Switch Cable, 150 cm

OMNI Module (With AAEON Interface)

- 9741215501
Mini Card x 2, SIM x 2 Module
- 9741215502
Dual LAN Module
- 9741215506
DIO Module
- 9741215508
Audio Module
- 9741215510
HMS Kit (Europe Limitation)
- 9741215512
Wifi 802.11/b/g/n Module
- 9741215513
Module
RS-485/422/232 x 2 Module
- 9741215515
USB / COM / LAN Module
- 9741215516
RS-485/422/232 x 4 Module
- 9741215517
Isolation RS-485/422/232 x 4 Module
- 9741215518
RS-485/422/232 x 2, DIO x 16 Module

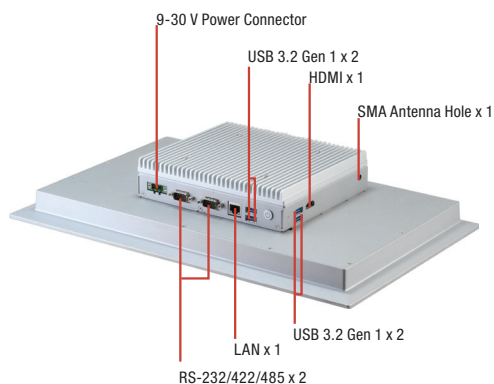
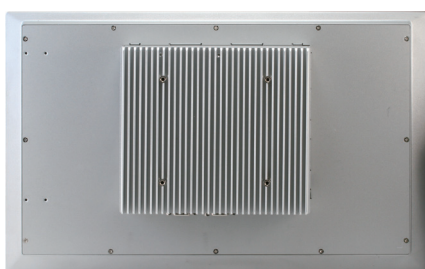
Wide Temperature DRAM

- 9761215500
2GB Wide Temperature DRAM (-40°C ~ 95°C)
- 9761215501
4GB Wide Temperature DRAM (-40°C ~ 95°C)
- 9761215502
8GB Wide Temperature DRAM (-40°C ~ 95°C)

**Users should select the wide temperature DRAM above and use wide temperature storage devices if the OMNI panel is to be operated at over 40°C

OMNI-2155-SKU

15.6" Modular HMI Panel PC with 6th Generation Intel® Core™ i5-6300U/ Celeron® 3955U Processor



Features

- 15.6" (1366 x 768) TFT LCD Display
- Intel® 6th Generation i5-6300U/C-3955U Processor
- P-CAP or Resistive Touch Screen Support
- Aluminum Design
- IP65 Compliant Front Bezel
- Fanless Operation
- Power Input Protection: Over-Voltage Protection, Low-Voltage Protection, Reverse-Voltage Protection
- Easily Expandable I/O by AAEON OMNI I/O Modules



Specifications

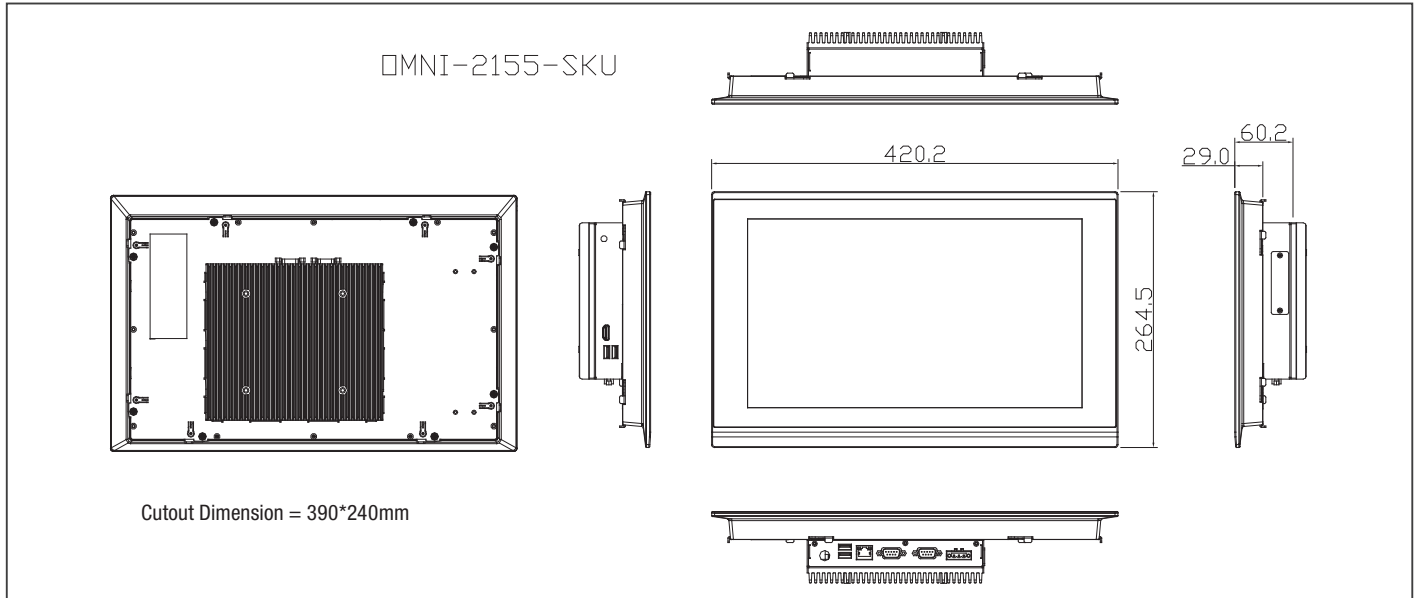
System	
Processor	Intel® i5-6300U processor, 2.4 GHz Intel® Celeron® 3955U processor, 2.0 GHz
System Memory	260-pin DDR4 SODIMM x 1, up to 16 GB
LCD/CRT Controller	Integrated in processor
Ethernet	Intel® I211, 10/100/1000 Base-TX x 1
I/O Port	USB 3.2 Gen 1 Type A x 4 SMA Antenna hole x 1 HDMI x 1 DB-9 Type RS-232/422/485 x 2 RJ-45 Type 10/100/1000 Base-TX x 1 3-pin terminal block x1 for 9~30 Vdc power input LED Power on/off switch x1 (Power on = Orange, Power off =N/A)
Storage Disk Drive	2.5" SATA HDD bay x 1
Expansion Slot	Full Size Mini card x 1 SIM card x 1 OMNI I/O connector x 1
OS support	Windows® 8.1 Windows® 10 (64 bit) Linux Kernel 2.6.x or higher
Mechanical	
Construction	Aluminum design (IP65 Front Frame)
Mounting	VESA 100 / Panel Mount
Dimension	16.54" x 10.43" x 2.87" (420 mm x 265 mm x 73 mm)
Carton Dimension	20.87" x 17.52" x 7.87" (530mm x 445mm x 200mm)
Gross Weight	14.96 lb (6.8 kg)
Environmental	
Operating Temperature	-4°F ~ 131°F (-20°C ~ 55°C) with 0.5 m/s airflow (Industrial Grade HDD)
Storage Temperature	-4°F ~ 158°F (-20°C ~ 70°C)
Storage Humidity	90% @40°C; non-condensing
Vibration	1 Grms/ 5~ 500Hz/ operation – with HDD
Shock	15 G peak acceleration (11 msec. duration) – with HDD
EMC	CE/FCC class A
Power Supply	
DC input	DC 9 (min.) ~ 30 (max.) V w/3-pin terminal block, ATX Power function
LCD	
Display Type	15.6" TFT-LCD, LED
Max Resolution	1366 (H) x 768 (V)
Max. Colors	16.7M (8 bit/color)
Luminance	400 cd/m ²
Viewing Angle	160 (H), 140 (V)
Back Light	LED
Back Light MTBF (Hours)	50,000
Touchscreen	
Type	P-CAP/ 5-wire resistive
Light Transmission	P-CAP (90% ± 2%), 5-wire Resistive (80% ± 2%)





Dimension

Unit: mm



Ordering Information

	Part Number	Display Type	Max Resolution	Luminance	View Angle	CPU	LAN	USB 3.2 Gen 1	RS-232/422/485	Storage	RAM	Display	Internal Expansion	Mounting	Power	Operating Temp.	Touch	OMNI I/O Module Support
Panel PC	OMNI-2155HTT-SKU-A1-1014	15.6" TFT LCD	1366 x 768	400 cd/m ²	160°(H) 140°(V)	Intel® i5-6300U, 2.4 GHz	1	4	2	2.5" SATA HDD x 1	DDR4, up to 16GB	HDMI x 1	Mini-Card x 1 (Full Size)	VESA 100/ Panel mount	DC 9~30V	-20°C~55°C with airflow	5-wire Resistive	Yes
	OMNI-2155HTT-SKU-A2-1014	15.6" TFT LCD	1366 x 768	400 cd/m ²	160°(H) 140°(V)	Intel® Celeron® 3955U, 2 GHz	1	4	2	2.5" SATA HDD x 1	DDR4, up to 16GB	HDMI x 1	Mini-Card x 1 (Full Size)	VESA 100/ Panel mount	DC 9~30V	-20°C~55°C with airflow	5-wire Resistive	Yes
	OMNI-2155HTT-SKU-A3-1015	15.6" TFT LCD	1366 x 768	400 cd/m ²	160°(H) 140°(V)	Intel® i5-6300U, 2.4 GHz	1	4	2	2.5" SATA HDD x 1	DDR4, up to 16GB	HDMI x 1	Mini-Card x 1 (Full Size)	VESA 100/ Panel mount	DC 9~30V	-20°C~55°C with airflow	Projected capacitive	Yes
	OMNI-2155HTT-SKU-A4-1015	15.6" TFT LCD	1366 x 768	400 cd/m ²	160°(H) 140°(V)	Intel® Celeron® 3955U, 2 GHz	1	4	2	2.5" SATA HDD x 1	DDR4, up to 16GB	HDMI x 1	Mini-Card x 1 (Full Size)	VESA 100/ Panel mount	DC 9~30V	-20°C~55°C with airflow	Projected capacitive	Yes
Panel Kit	OMNI-215DHTT-KIT-A1-1011	15.6" TFT LCD	1366 x 768	400 cd/m ²	160°(H) 140°(V)	—	—	—	—	—	—	—	—	—	—	-20°C~55°C with airflow	5-wire Resistive	No
	OMNI-215DHTT-KIT-A2-1012	15.6" TFT LCD	1366 x 768	400 cd/m ²	160°(H) 140°(V)	—	—	—	—	—	—	—	—	—	—	-20°C~55°C with airflow	Projected capacitive	No
CPU BOX Kit	OMNI-SKU-KIT-A1-1110	—	—	—	—	Intel® i5-6300U, 2.4 GHz	1	4	2	2.5" SATA HDD x 1	DDR4, up to 16GB	HDMI x 1	Mini-Card x 1 (Full Size)	VESA 100/ Panel mount	DC 9~30V	-20°C~55°C with airflow	—	Yes
	OMNI-SKU-KIT-A2-1110	—	—	—	—	Intel® Celeron® 3955U, 2 GHz	1	4	2	2.5" SATA HDD x 1	DDR4, up to 16GB	HDMI x 1	Mini-Card x 1 (Full Size)	VESA 100/ Panel mount	DC 9~30V	-20°C~55°C with airflow	—	Yes
	OMNI-SKU-KIT-A3-1110	—	—	—	—	Intel® i7-6600U Processor	1	4	2	2.5" SATA HDD x 1	DDR4, up to 16GB	HDMI x 1	Mini-Card x 1 (Full Size)	Wall mount	DC 9~30V	-20°C~55°C with airflow	—	Yes
	OMNI-SKU-KIT-A4-1110	—	—	—	—	Intel® i3-6100U Processor	1	4	2	2.5" SATA HDD x 1	DDR4, up to 16GB	HDMI x 1	Mini-Card x 1 (Full Size)	Wall mount	DC 9~30V	-20°C~55°C with airflow	—	Yes

Note: 1. AAEON OMNI Modular display kit only workable for OMNI-BOX Kit 2. RAM not included *

Packing List

- Phoenix Power Connector
- OMNI-2155-SKU

Optional Accessories

- AP-0T9789LA1000
LCD Monitor Stand 230mm, LA-100
- 170X000799
Power Cord (US Type)
- 170X000800
Power Cord (European Type)
- 170X000803
Power Cord (Japanese Type)
- 1255900849
12V 84W Power Adapter w/ 3pin Terminal Block

OMNI Module (with AAEON Interface)

- 9741215501
Mini Card x 2, SIM x 2 Module
- 9741215502
Dual LAN Module
- 9741215506
DIO Module
- 9741215508
Audio Module
- 9741215510
HMS Kit (Europe Limitation)
- 9741215512
Wifi 802.11/b/g/n Module
- 9741215513
RS-485/422/232 x 2 Module
- 9741215515
USB/COM/LAN Module
- 9741215516
RS-485/422/232 x 4 Module
- 9741215517
Isolation RS-485/422/232 x 4 Module
- 9741215518
RS-485/422/232 x 2, DIO x 16 Module

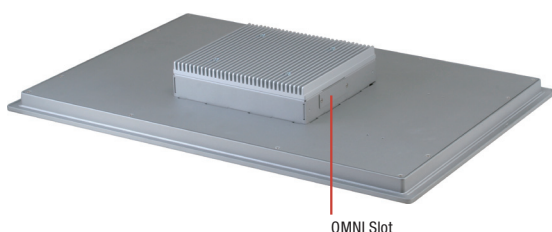
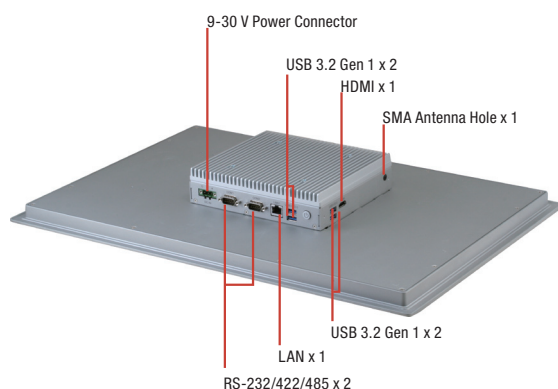
Wide Temperature DRAM

- AP-DR9D4004G00A
4GB Wide Temperature DRAM (-40°C ~ 85°C)
 - 9D4008G001
8GB Wide Temperature DRAM (-40°C ~ 85°C)
 - 968D4016GY
16GB Wide Temperature DRAM (-40°C ~ 85°C)
- **Users should select the wide temperature DRAM above and use wide temperature storage devices if the OMNI panel pc is to be operated at over 40°C.

OMNI-2215-SKU



21.5" Modular HMI Panel PC with 6th Generation Intel® Core™ i5-6300U/C-3955U Processor



Features

- 21.5" (1920 x 1080) TFT LCD Display
- Intel® 6th Generation Core™ i5-6300U/C-3955U Processor
- P-CAP or Resistive Touch Screen Support
- Aluminum Design
- IP65 Compliant Front Bezel
- Fanless Operation
- Easily Expandable I/O by AAEON OMNI I/O Modules



Specifications

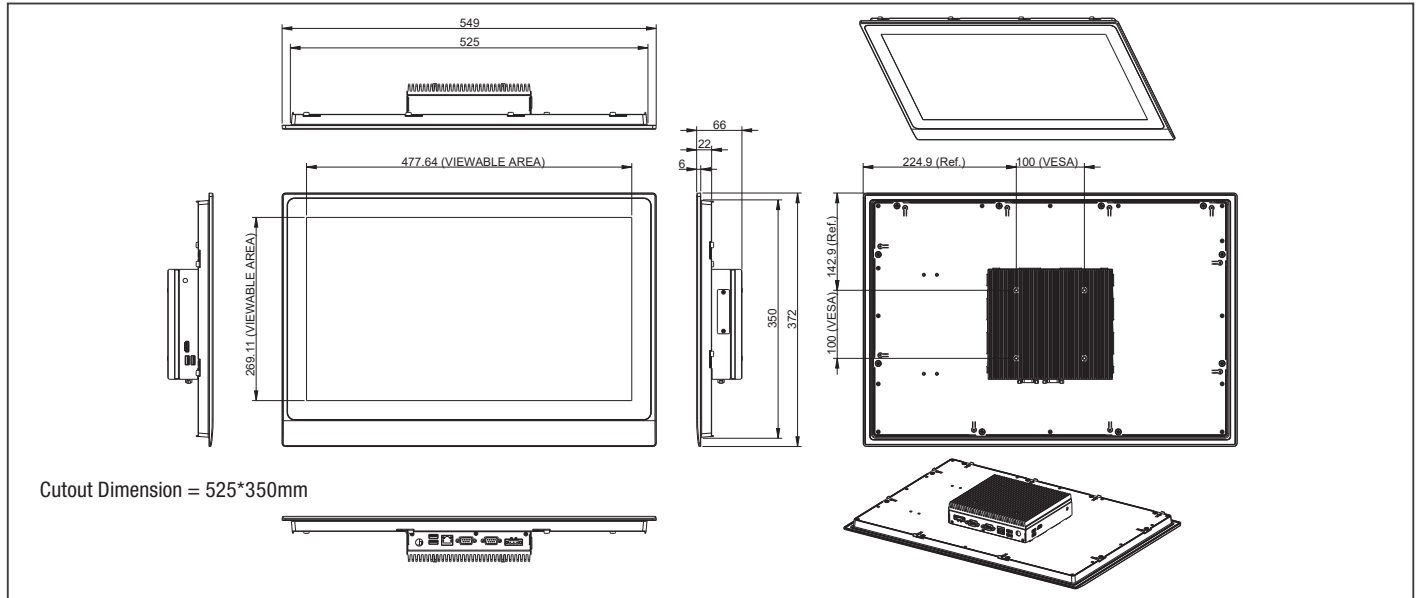
System	
Processor	Intel® Core™ i5-6300U processor, 2.4 GHz Intel® Celeron® 3955U processor, 2.0 GHz
System Memory	260-pin DDR4 SODIMM x 1, up to 16 GB
LCD/CRT Controller	Integrated in processor
Ethernet	Intel® I211, 10/100/1000 Base-TX x 1
I/O Port	USB 3.2 Gen 1 Type A x 4 SMA Antenna hole x 1 HDMI x 1 DB-9 Type RS-232/422/485 x 2 RJ-45 Type 10/100/1000 Base-TX x 1 3-pin terminal block x1 for 9~30 Vdc power input LED Power on/off switch x1 (Power on = Orange, Power off = N/A)
Storage Disk Drive	2.5" SATA HDD bay x 1
Expansion Slot	Full Size Mini card x 1 SIM card x 1 OMNI I/O connector x 1
OS support	Windows® 8.1 Windows® 10 (64 bit) Linux Kernel 2.6.x or higher
Mechanical	
Construction	Aluminum design (IP65 Front Frame)
Mounting	VESA 100/ Panel Mount
Dimension	21.7" x 14.7" x 2.6" (550mm x 373mm x 66mm)
Carton Dimension	26.38" x 7.87" x 20.67" (670mm x 200mm x 525mm)
Gross Weight	20.02 lb (9.1 Kg)
Environmental	
Operating Temperature	-4°F ~ 131°F (-20°C ~ 55°C) with 0.5 m/s airflow (Industrial Grade HDD)
Storage Temperature	-4°F ~ 158°F (-20°C ~ 70°C)
Storage Humidity	90% @40°C; non-condensing
Vibration	1 Grms/ 5~ 500Hz/ operation – with HDD
Shock	15 G peak acceleration (11 msec. duration) – with HDD
EMC	CE/FCC class A
Power Supply	
DC input	DC 9 (min.) ~ 30 (max.) V w/3-pin terminal block, ATX Power function
LCD	
Display Type	21.5" TFT-LCD, LED
Max Resolution	1920 (H) x 1080 (V)
Max. Colors	16.7M colors
Luminance	250 cd/m²
Viewing Angle	178 (H), 178 (V)
Back Light	LED
Back Light MTBF (Hours)	50,000
Touchscreen	
Type	P-CAP/ 5-wire resistive
Light Transmission	P-CAP (>85%) 5-wire Resistive (80% + 5%)





Dimension

Unit: mm



Cutout Dimension = 525*350mm

Ordering Information

	Part Number	Display Type	Max Resolution	Luminance	View Angle	CPU	LAN	USB 3.2 Gen 1	RS-232/422/485	Storage	RAM	Display	Internal Expansion	Mounting	Power	Operating Temp.	Touch	OMNI I/O Module Support
Panel PC	OMNI-2215HTT-SKU-A1-1012	21.5" TFT LCD	1920 x 1080	250 cd/m ²	178°(H) 178°(V)	Intel® i5-6300U, 2.4 GHz	1	4	2	2.5" SATA HDD x 1	DDR4, up to 16GB	HDMI x 1	Mini-Card x 1 (Full Size)	VESA 100/ Panel mount	DC 9~30V	-20°C~55°C with airflow	5-wire Resistive	Yes
	OMNI-2215HTT-SKU-A2-1012	21.5" TFT LCD	1920 x 1080	250 cd/m ²	178°(H) 178°(V)	Intel® Celeron® 3955U, 2 GHz	1	4	2	2.5" SATA HDD x 1	DDR4, up to 16GB	HDMI x 1	Mini-Card x 1 (Full Size)	VESA 100/ Panel mount	DC 9~30V	-20°C~55°C with airflow	5-wire Resistive	Yes
	OMNI-2215HTT-SKU-A3-1013	21.5" TFT LCD	1920 x 1080	250 cd/m ²	178°(H) 178°(V)	Intel® i5-6300U, 2.4 GHz	1	4	2	2.5" SATA HDD x 1	DDR4, up to 16GB	HDMI x 1	Mini-Card x 1 (Full Size)	VESA 100/ Panel mount	DC 9~30V	-20°C~55°C with airflow	Projected capacitive	Yes
	OMNI-2215HTT-SKU-A4-1013	21.5" TFT LCD	1920 x 1080	250 cd/m ²	178°(H) 178°(V)	Intel® Celeron® 3955U, 2 GHz	1	4	2	2.5" SATA HDD x 1	DDR4, up to 16GB	HDMI x 1	Mini-Card x 1 (Full Size)	VESA 100/ Panel mount	DC 9~30V	-20°C~55°C with airflow	Projected capacitive	Yes
Panel Kit	OMNI-221DHTT-KIT-A1-1012	21.5" TFT LCD	1920 x 1080	250 cd/m ²	178°(H) 178°(V)	—	—	—	—	—	—	—	—	—	—	-20°C~55°C with airflow	5-wire Resistive	No
	OMNI-221DHTT-KIT-A2-1013	21.5" TFT LCD	1920 x 1080	250 cd/m ²	178°(H) 178°(V)	—	—	—	—	—	—	—	—	—	—	-20°C~55°C with airflow	Projected capacitive	No
CPU BOX Kit	OMNI-SKU-KIT-A1-1010	—	—	—	—	Intel® i5-6300U, 2.4 GHz	1	4	2	2.5" SATA HDD x 1	DDR4, up to 16GB	HDMI x 1	Mini-Card x 1 (Full Size)	VESA 100/ Panel mount	DC 9~30V	-20°C~55°C with airflow	—	Yes
	OMNI-SKU-KIT-A2-1010	—	—	—	—	Intel® Celeron® 3955U, 2 GHz	1	4	2	2.5" SATA HDD x 1	DDR4, up to 16GB	HDMI x 1	Mini-Card x 1 (Full Size)	VESA 100/ Panel mount	DC 9~30V	-20°C~55°C with airflow	—	Yes
	OMNI-SKU-KIT-A3-1010	—	—	—	—	Intel® i7-6600U Processor	1	4	2	2.5" SATA HDD x 1	DDR4, up to 16GB	HDMI x 1	Mini-Card x 1 (Full Size)	Wall mount	DC 9~30V	-20°C~55°C with airflow	—	Yes
	OMNI-SKU-KIT-A4-1010	—	—	—	—	Intel® i3-6100U Processor	1	4	2	2.5" SATA HDD x 1	DDR4, up to 16GB	HDMI x 1	Mini-Card x 1 (Full Size)	Wall mount	DC 9~30V	-20°C~55°C with airflow	—	Yes

Note: 1. AAEON OMNI Modular display kit only workable for OMNI-BOX Kit 2. RAM not included

Packing List

- Phoenix Power Connector
- OMNI-2215-SKU

OMNI Module (with AAEON Interface)

- | | | |
|--|--|---|
| <ul style="list-style-type: none"> • 9741215501
Mini Card x 2, SIM x 2 Module • 9741215502
Dual LAN Module • 9741215506
DIO Module • 9741215508
Audio Module | <ul style="list-style-type: none"> • 9741215510
HMS Kit (Europe Limitation) • 9741215512
Wifi 802.11/b/g/n Module • 9741215513
RS-485/422/232 x 2 Module • 9741215515
USB/COM/LAN Module | <ul style="list-style-type: none"> • 9741215516
RS-485/422/232 x 4 Module • 9741215517
Isolation RS-485/422/232 x 4 Module • 9741215518
RS-485/422/232 x 2, DIO x 16 Module |
|--|--|---|

Optional Accessories

- | | |
|--|--|
| <ul style="list-style-type: none"> • AP-0T9789LA1000
LCD Monitor Stand 230mm, LA-100 • 170X000799
Power Cord (US Type) • 170X000800
Power Cord (European Type) | <ul style="list-style-type: none"> • 170X000803
Power Cord (Japanese Type) • 1255900849
12V 84W Power Adapter w/ 3pin Terminal Block |
|--|--|

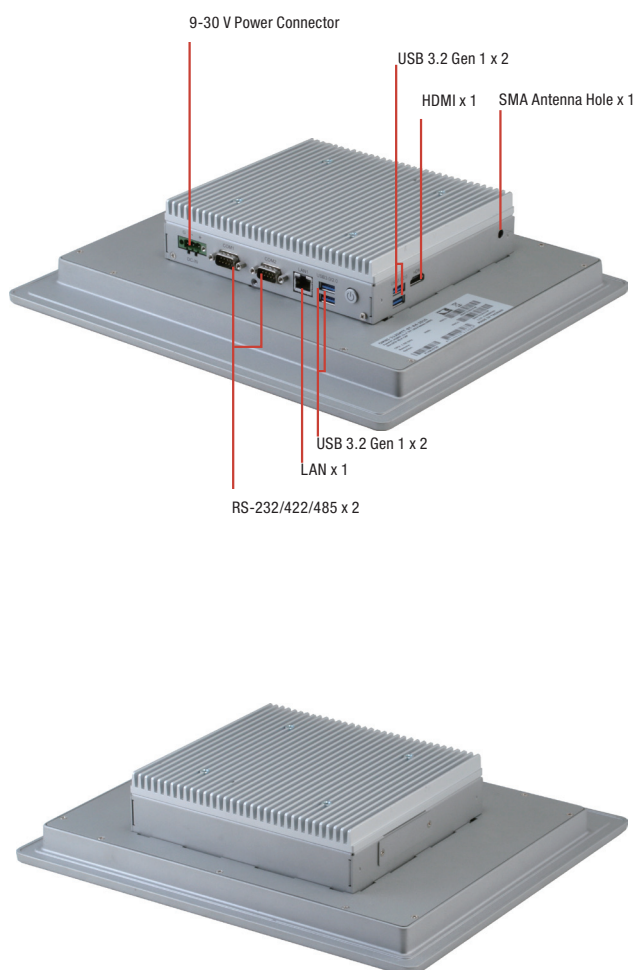
Wide Temperature DRAM

- | | |
|---|---|
| <ul style="list-style-type: none"> • AP-DR9D4004G00A
4GB Wide Temperature DRAM (-40°C ~ 85°C) • 9D4008G001
8GB Wide Temperature DRAM (-40°C ~ 85°C) | <ul style="list-style-type: none"> • 968D4016G0Y
16GB Wide Temperature DRAM (-40°C ~ 85°C) <p>**Users should select the wide temperature DRAM above and use wide temperature storage devices if</p> |
|---|---|

OMNI-3125-SKU



12.1" Modular HMI Panel PC with 6th Generation Intel® Core™ i5-6300U/C-3955U Processor



Features

- 12.1" (1024 x 768) TFT LCD Display
- Intel® 6th Generation i5-6300U/C-3955U Processor
- P-CAP or Resistive Touch Screen Support
- Aluminum Design
- IP65 Compliant Front Bezel
- Fanless Operation



Specifications

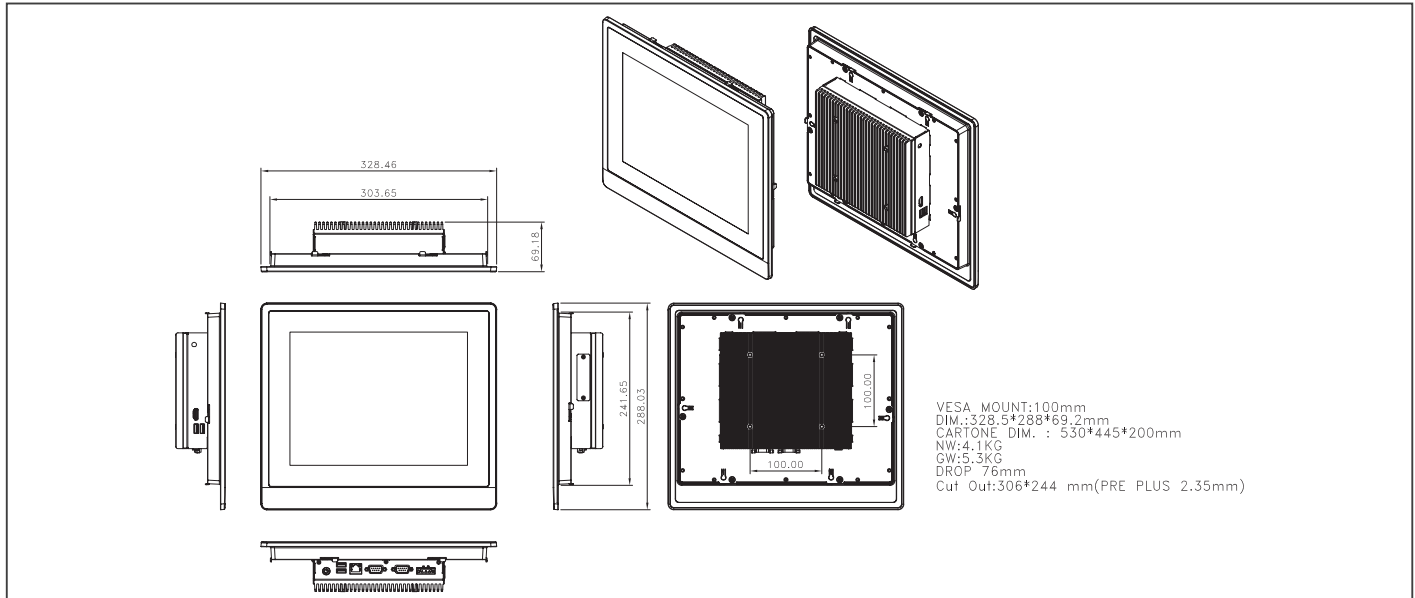
System	
Processor	Intel® i5-6300U processor, 2.4 GHz Intel® Celeron® 3955U processor, 2.0 GHz
System Memory	260-pin DDR4 SODIMM x 1, up to 16 GB
LCD/CRT Controller	Integrated in processor
Ethernet	Intel® I211, 10/100/1000 Base-TX x 1
I/O Port	USB 3.2 Gen 1 Type A x 4 SMA Antenna hole x 1 HDMI x 1 DB-9 Type RS-232/422/485 x 2 RJ-45 Type 10/100/1000 Base-TX x 1 3-pin terminal block x1 for 9~30 Vdc power input LED Power on/off switch x1 (Power on = Orange, Power off = N/A)
Storage Disk Drive	2.5" SATA HDD bay x 1
Expansion Slot	Full Size Mini card x 1 SIM card x 1 OMNI I/O connector x 1
OS support	Windows® 8.1 Windows® 10 (64 bit) Linux Kernel 2.6.x or higher
Mechanical	
Construction	Aluminum design (IP65 Front Frame)
Mounting	VESA 100 / Panel Mount
Dimension	12.95" x 11.34" x 2.72" (329mm x 28mm x 69 mm)
Carton Dimension	20.87" x 17.52" x 7.87" (530mm x 445mm x 200mm)
Gross Weight	12.34 lb (5.6 kg)
Environmental	
Operating Temperature	-4°F ~ 131°F (-20°C ~ 55°C) with 0.5 m/s airflow (Industrial Grade HDD)
Storage Temperature	-4°F ~ 158°F (-20°C ~ 70°C)
Storage Humidity	90% @40°C; non-condensing
Vibration	1 Grms/ 5~ 500Hz/ operation – with HDD
Shock	15 G peak acceleration (11 msec. duration) – with HDD
EMC	CE/FCC class A
Power Supply	
DC input	DC 9 (min.) ~ 30 (max.) V w/3-pin terminal block, ATX Power function
LCD	
Display Type	12.1" TFT-LCD, LED
Max Resolution	1024 (H) x 768 (V)
Max. Colors	16.2M colors
Luminance	500 cd/m ²
Viewing Angle	160° (H), 160° (V)
Back Light	LED
Back Light MTBF (Hours)	50,000
Touchscreen	
Type	P-CAP/ 5-wire resistive
Light Transmission	P-CAP (90% ± 3%) 5-wire Resistive (80% ± 3%)





Dimension

Unit: mm



Ordering Information

	Part Number	Display Type	Max Resolution	Luminance	View Angle	CPU	LAN	USB 3.2 Gen 1	RS-232/422/485	Storage	RAM	Display	Internal Expansion	Mounting	Power	Operating Temp.	Touch	OMNI I/O Module Support
Panel PC	OMNI-3125HTT-SKU-A1-1111	12.1" TFT LCD	1024 x 768	500 cd/m ²	160°(H) 160°(V)	Intel® i5-6300U, 2.4 GHz	1	4	2	2.5" SATA HDD x 1	DDR4, up to 16GB	HDMI x 1	Mini-Card x 1 (Full Size)	VESA 100/ Panel mount	DC 9~30V	-20°C~55°C with airflow	5-wire Resistive	No
	OMNI-3125HTT-SKU-A2-1111	12.1" TFT LCD	1024 x 768	500 cd/m ²	160°(H) 160°(V)	Intel® Celeron® 3955U, 2 GHz	1	4	2	2.5" SATA HDD x 1	DDR4, up to 16GB	HDMI x 1	Mini-Card x 1 (Full Size)	VESA 100/ Panel mount	DC 9~30V	-20°C~55°C with airflow	5-wire Resistive	No
	OMNI-3125HTT-SKU-A3-1111	12.1" TFT LCD	1024 x 768	500 cd/m ²	160°(H) 160°(V)	Intel® i5-6300U, 2.4 GHz	1	4	2	2.5" SATA HDD x 1	DDR4, up to 16GB	HDMI x 1	Mini-Card x 1 (Full Size)	VESA 100/ Panel mount	DC 9~30V	-20°C~55°C with airflow	Projected capacitive	No
	OMNI-3125HTT-SKU-A4-1111	12.1" TFT LCD	1024 x 768	500 cd/m ²	160°(H) 160°(V)	Intel® Celeron® 3955U, 2 GHz	1	4	2	2.5" SATA HDD x 1	DDR4, up to 16GB	HDMI x 1	Mini-Card x 1 (Full Size)	VESA 100/ Panel mount	DC 9~30V	-20°C~55°C with airflow	Projected capacitive	No
Panel Kit	OMNI-312DHTT-KIT-A1-1011	12.1" TFT LCD	1024 x 768	500 cd/m ²	160°(H) 160°(V)	—	—	—	—	—	—	—	—	—	—	-20°C~55°C with airflow	5-wire Resistive	No
	OMNI-312DHTT-KIT-A2-1011	12.1" TFT LCD	1024 x 768	500 cd/m ²	160°(H) 160°(V)	—	—	—	—	—	—	—	—	—	—	-20°C~55°C with airflow	Projected capacitive	No
CPU BOX Kit	OMNI-SKU-KIT-A1-1110	—	—	—	—	Intel® i5-6300U, 2.4 GHz	1	4	2	2.5" SATA HDD x 1	DDR4, up to 16GB	HDMI x 1	Mini-Card x 1 (Full Size)	VESA 100/ Panel mount	DC 9~30V	-20°C~55°C with airflow	—	Yes
	OMNI-SKU-KIT-A2-1110	—	—	—	—	Intel® Celeron® 3955U, 2 GHz	1	4	2	2.5" SATA HDD x 1	DDR4, up to 16GB	HDMI x 1	Mini-Card x 1 (Full Size)	VESA 100/ Panel mount	DC 9~30V	-20°C~55°C with airflow	—	Yes
	OMNI-SKU-KIT-A3-1110	—	—	—	—	Intel® i7-6600U Processor	1	4	2	2.5" SATA HDD x 1	DDR4, up to 16GB	HDMI x 1	Mini-Card x 1 (Full Size)	Wall mount	DC 9~30V	-20°C~55°C with airflow	—	Yes
	OMNI-SKU-KIT-A4-1110	—	—	—	—	Intel® i3-6100U Processor	1	4	2	2.5" SATA HDD x 1	DDR4, up to 16GB	HDMI x 1	Mini-Card x 1 (Full Size)	Wall mount	DC 9~30V	-20°C~55°C with airflow	—	Yes

Note: 1. AAEON OMNI Modular display kit only workable for OMNI-BOX Kit 2. RAM not included

Packing List

- Phoenix Power Connector
- OMNI-3125-SKU

OMNI Module (with AAEON Interface)

- NA

Optional Accessories

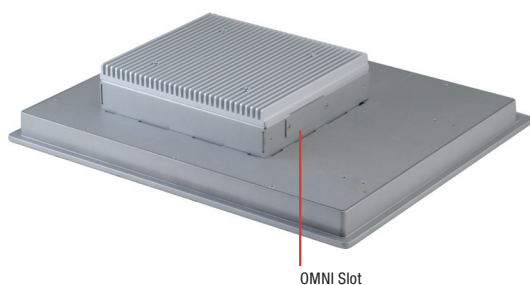
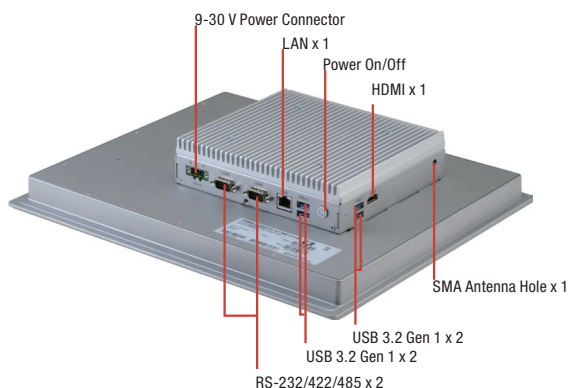
- AP-0T9789LA1000
LCD Monitor Stand 230mm, LA-100
- 170X000799
Power Cord (US Type)
- 170X000800
Power Cord (European Type)
- 170X000803
Power Cord (Japanese Type)
- 1255900849
12V 84W Power Adapter w/ 3pin Terminal Block

Wide Temperature DRAM

- AP-DR9D4004G00A
4GB Wide Temperature DRAM (-40°C ~ 85°C)
 - 9D4008G001
8GB Wide Temperature DRAM (-40°C ~ 85°C)
 - 968D4016GY
16GB Wide Temperature DRAM (-40°C ~ 85°C)
- **Users should select the wide temperature DRAM above and use wide temperature storage devices if the OMNI panel pc is to be operated at over 40°C.

OMNI-3155-SKU

15" Modular HMI Panel PC with 6th Generation Intel® Core™ i5-6300U/C-3955U Processor



Features

- 15" (1024 x 768) TFT LCD Display
- Intel® 6th Generation i5-6300U/C-3955U Processor
- P-CAP or Resistive Touch Screen Support
- Aluminum Design
- IP65 Compliant Front Bezel
- Fanless Operation
- Easily Expandable I/O by AAEON OMNI I/O Modules



Specifications

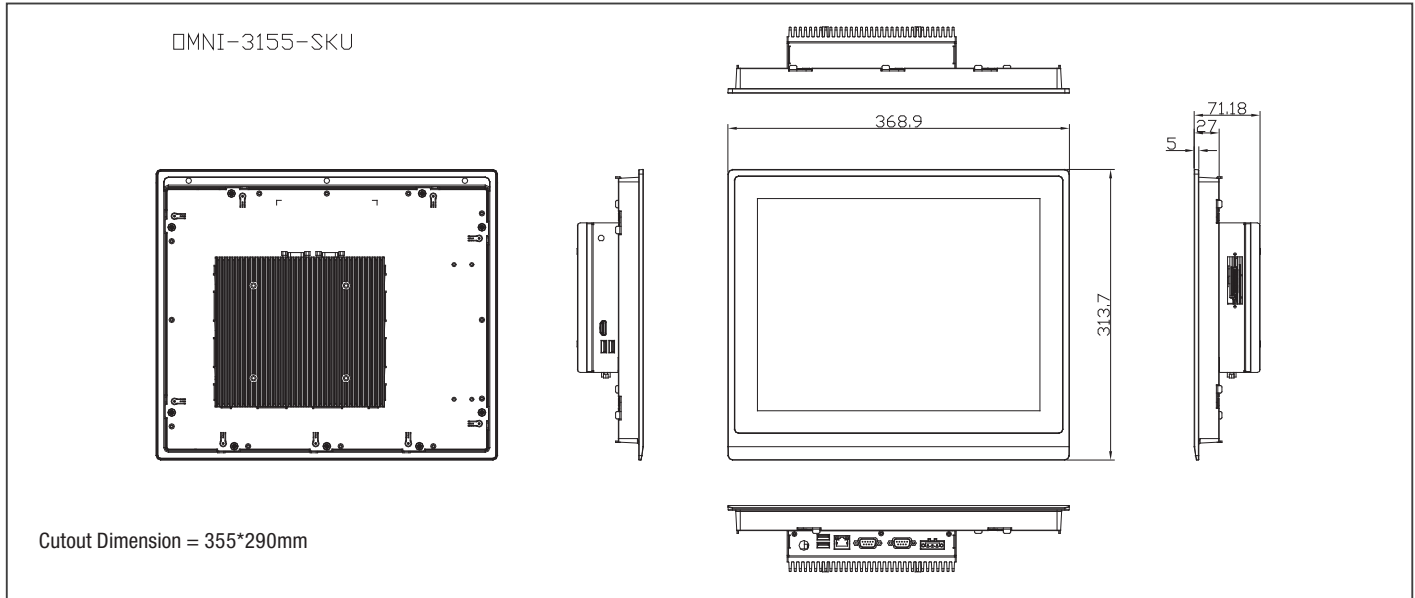
System	
Processor	Intel® i5-6300U processor, 2.4 GHz Intel® Celeron® 3955U processor, 2.0 GHz
System Memory	260-pin DDR4 SODIMM x 1, up to 16 GB
LCD/CRT Controller	Integrated in processor
Ethernet	Intel® I211, 10/100/1000 Base-TX x 1
I/O Port	USB 3.2 Gen 1 Type A x 4 SMA Antenna hole x 1 HDMI x 1 DB-9 Type RS-232/422/485 x 2 RJ-45 Type 10/100/1000 Base-TX x 1 3-pin terminal block x1 for 9~30 Vdc power input LED Power on/off switch x1 (Power on = Orange, Power off = N/A)
Storage Disk Drive	2.5" SATA HDD bay x 1
Expansion Slot	Full Size Mini card x 1, SIM card x 1, OMNI I/O connector x 1
OS support	Windows® 8.1, Windows® 10 (64 bit), Linux kernel 2.6.x or higher
Mechanical	
Construction	Aluminum design (IP65 Front Frame)
Mounting	VESA 100/ Panel Mount
Dimension	14.53" x 12.36" x 2.79" (369mm x 314mm x 71 mm)
Carton Dimension	20.08" x 9.84" x 18.11" (510mm x 250mm x 460mm)
Gross Weight	14.3 lb (6.5 kg)
Environmental	
Operating Temperature	-4°F ~ 131°F (-20°C ~ 55°C) with 0.5 m/s airflow (Industrial Grade HDD)
Storage Temperature	-4°F ~ 158°F (-20°C ~ 70°C)
Storage Humidity	90% @40°C; non-condensing
Vibration	1 Grms/ 5~ 500Hz/ operation – with HDD
Shock	15 G peak acceleration (11 msec. duration) – with HDD
EMC	CE/FCC class A
Power Supply	
DC input	DC 9 (min.) ~ 30 (max.) V w/3-pin terminal block, ATX Power function
LCD	
Display Type	15" TFT-LCD, LED
Max Resolution	1024 (H) x 768 (V)
Max. Colors	16.2M (8bit/color)
Luminance	300 cd/m²
Viewing Angle	176° (H), 176° (V)
Back Light	LED
Back Light MTBF (Hours)	70,000
Touchscreen	
Type	P-CAP/ 5-wire resistive
Light Transmission	P-CAP (90%± 2%), 5-wire Resistive (80% ± 2%)





Dimension

Unit: mm



Ordering Information

	Part Number	Display Type	Max Resolution	Luminance	View Angle	CPU	LAN	USB 3.2 Gen 1	RS-232/422/485	Storage	RAM	Display	Internal Expansion	Mounting	Power	Operating Temp.	Touch	OMNI I/O Module Support
Panel PC	OMNI-3155HTT-SKU-A1-1012	15" TFT LCD	1024 x 768	300 cd/m ²	176° (H), 176° (V)	Intel® i5-6300U, 2.4 GHz	1	4	2	2.5" SATA HDD x 1	DDR4, up to 16GB	HDMI x 1	Mini-Card x 1 (Full Size)	VESA 100/ Panel mount	DC 9~30V	-20°C~55°C with airflow	5-wire Resistive	Yes
	OMNI-3155HTT-SKU-A2-1012	15" TFT LCD	1024 x 768	300 cd/m ²	176° (H), 176° (V)	Intel® Celeron® 3955U, 2 GHz	1	4	2	2.5" SATA HDD x 1	DDR4, up to 16GB	HDMI x 1	Mini-Card x 1 (Full Size)	VESA 100/ Panel mount	DC 9~30V	-20°C~55°C with airflow	5-wire Resistive	Yes
	OMNI-3155HTT-SKU-A3-1012	15" TFT LCD	1024 x 768	300 cd/m ²	176° (H), 176° (V)	Intel® i5-6300U, 2.4 GHz	1	4	2	2.5" SATA HDD x 1	DDR4, up to 16GB	HDMI x 1	Mini-Card x 1 (Full Size)	VESA 100/ Panel mount	DC 9~30V	-20°C~55°C with airflow	Projected capacitive	Yes
	OMNI-3155HTT-SKU-A4-1012	15" TFT LCD	1024 x 768	300 cd/m ²	176° (H), 176° (V)	Intel® Celeron® 3955U, 2 GHz	1	4	2	2.5" SATA HDD x 1	DDR4, up to 16GB	HDMI x 1	Mini-Card x 1 (Full Size)	VESA 100/ Panel mount	DC 9~30V	-20°C~55°C with airflow	Projected capacitive	Yes
Panel Kit	OMNI-315DHTT-KIT-A1-1012	15" TFT LCD	1024 x 768	300 cd/m ²	176° (H), 176° (V)	—	—	—	—	—	—	—	—	—	—	-20°C~55°C with airflow	5-wire Resistive	No
	OMNI-315DHTT-KIT-A2-1012	15" TFT LCD	1024 x 768	300 cd/m ²	176° (H), 176° (V)	—	—	—	—	—	—	—	—	—	—	-20°C~55°C with airflow	Projected capacitive	No
CPU BOX Kit	OMNI-SKU-KIT-A1-1010	—	—	—	—	Intel® i5-6300U, 2.4 GHz	1	4	2	2.5" SATA HDD x 1	DDR4, up to 16GB	HDMI x 1	Mini-Card x 1 (Full Size)	VESA 100/ Panel mount	DC 9~30V	-20°C~55°C with airflow	—	Yes
	OMNI-SKU-KIT-A2-1010	—	—	—	—	Intel® Celeron® 3955U, 2 GHz	1	4	2	2.5" SATA HDD x 1	DDR4, up to 16GB	HDMI x 1	Mini-Card x 1 (Full Size)	VESA 100/ Panel mount	DC 9~30V	-20°C~55°C with airflow	—	Yes
	OMNI-SKU-KIT-A3-1010	—	—	—	—	Intel® i7-6600U Processor	1	4	2	2.5" SATA HDD x 1	DDR4, up to 16GB	HDMI x 1	Mini-Card x 1 (Full Size)	Wall mount	DC 9~30V	-20°C~55°C with airflow	—	Yes
	OMNI-SKU-KIT-A4-1010	—	—	—	—	Intel® i3-6100U Processor	1	4	2	2.5" SATA HDD x 1	DDR4, up to 16GB	HDMI x 1	Mini-Card x 1 (Full Size)	Wall mount	DC 9~30V	-20°C~55°C with airflow	—	Yes

Note: 1. AAEON OMNI Modular display kit only workable for OMNI-BOX Kit 2. RAM not included

Packing List

- Phoenix Power Connector
- OMNI-3155-SKU

Optional Accessories

- AP-0T9789LA1000
LCD Monitor Stand 230mm, LA-100
- 170X000799
Power Cord (US Type)
- 170X000800
Power Cord (European Type)
- 170X000803
Power Cord (Japanese Type)
- 1255900849
12V 84W Power Adapter w/ 3pin Terminal Block

OMNI Module (with AAEON Interface)

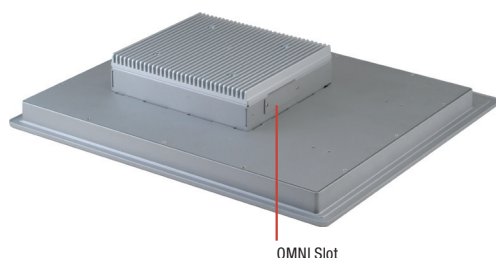
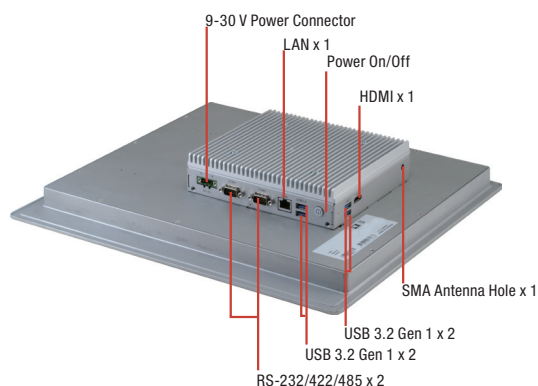
- 9741215501
Mini Card x 2, SIM x 2 Module
- 9741215502
Dual LAN Module
- 9741215506
DIO Module
- 9741215508
Audio Module
- 9741215510
HMS Kit (Europe Limitation)
- 9741215512
Wifi 802.11/b/g/n Module
- 9741215513
RS-485/422/232 x 2 Module
- 9741215515
USB / COM / LAN Module
- 9741215516
RS-485/422/232 x 4 Module
- 9741215517
Isolation RS-485/422/232 x 4 Module
- 9741215518
RS-485/422/232 x 2, DIO x 16 Module

Wide Temperature DRAM

- AP-DR9D4004G00A
4GB Wide Temperature DRAM (-40°C ~ 85°C)
 - 9D4008G001
8GB Wide Temperature DRAM (-40°C ~ 85°C)
 - 968D4016GY7
16GB Wide Temperature DRAM (-40°C ~ 85°C)
- **Users should select the wide temperature DRAM above and use wide temperature storage devices if the OMNI panel pc is to be operated at over 40°C.

OMNI-3175-SKU

17" Modular HMI Panel PC with 6th Generation Intel® Core™ i5-6300U/C-3955U Processor



Features

- 17" (1280 x 1024) TFT LCD Display
- Intel® 6th Generation i5-6300U/C-3955U Processor
- P-CAP or Resistive Touch Screen Support
- Aluminum Design
- IP65 Compliant Front Bezel
- Fanless Operation
- Easily Expandable I/O by AAEON OMNI I/O Modules



Specifications

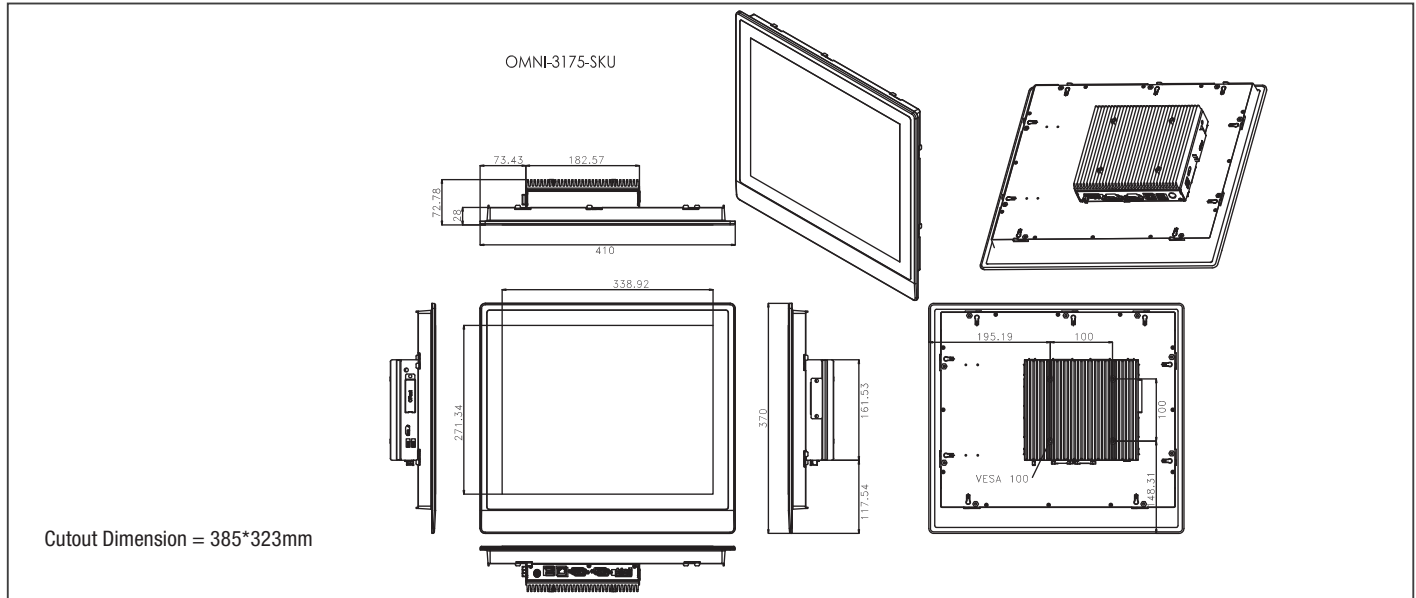
System	
Processor	Intel® i5-6300U processor, 2.4 GHz Intel® Celeron® 3955U processor, 2.0 GHz
System Memory	260-pin DDR4 SODIMM x 1, up to 16 GB
LCD/CRT Controller	Integrated in processor
Ethernet	Intel® I211, 10/100/1000 Base-TX x 1
I/O Port	USB 3.2 Gen 1 Type A x 4 SMA Antenna hole x 1 HDMI x 1 DB-9 Type RS-232/422/485 x 2 RJ-45 Type 10/100/1000 Base-TX x 1 3-pin terminal block x1 for 9~30 Vdc power input LED Power on/off switch x1 (Power on = Orange, Power off =N/A)
Storage Disk Drive	2.5" SATA HDD bay x 1
Expansion Slot	Full Size Mini card x 1 SIM card x 1 OMNI I/O connector x 1
OS support	Windows® 8.1, Windows® 10 (64 bit), Linux kernel 2.6.x or higher
Mechanical	
Construction	Aluminum design (IP65 Front Frame)
Mounting	VESA 100 / Panel Mount
Dimension	16.14" x 14.57" x 2.32" (410mm x 370mm x 59mm)
Carton Dimension	20.55" x 10.31" x 19.29" (522mm x 262mm x 490mm)
Gross Weight	16.28 lb (7.4 kg)
Environmental	
Operating Temperature	-4°F ~ 131°F (-20°C ~ 55°C) with 0.5 m/s airflow (Industrial Grade HDD)
Storage Temperature	-4°F ~ 158°F (-20°C ~ 70°C)
Storage Humidity	90% @40°C; non-condensing
Vibration	1 Grms/ 5~ 500Hz/ operation – with HDD
Shock	15 G peak acceleration (11 msec. duration) – with HDD
EMC	CE/FCC class A
Power Supply	
DC input	DC 9 (min.) ~ 30 (max.) V w/3-pin terminal block, ATX Power function
LCD	
Display Type	17" TFT-LCD, LED
Max Resolution	1280 (H) x 1024 (V)
Max. Colors	16.7M colors (RGB 6-bits + Hi-FRC data)
Luminance	350 cd/m²
Viewing Angle	170 (H), 160 (V)
Back Light	LED
Back Light MTBF (Hours)	50,000
Touchscreen	
Type	P-CAP/ 5-wire resistive
Light Transmission	P-CAP (90% ± 3%), 5-wire Resistive (80% ± 3%)





Dimension

Unit: mm



Ordering Information

	Part Number	Display Type	Max Resolution	Luminance	View Angle	CPU	LAN	USB 3.2 Gen 1	RS-232/422/485	Storage	RAM	Display	Internal Expansion	Mounting	Power	Operating Temp.	Touch	OMNI I/O Module Support
Panel PC	OMNI-3175HTT-SKU-A1-1112	17" TFT LCD	1280 x 1024	350 cd/m ²	170°(H) 160°(V)	Intel® i5-6300U, 2.4 GHz	1	4	2	2.5" SATA HDD x 1	DDR4, up to 16GB	HDMI x 1	Mini-Card x 1 (Full Size)	VESA 100/ Panel mount	DC 9~30V	-20°C~55°C with airflow	5-wire Resistive	Yes
	OMNI-3175HTT-SKU-A2-1112	17" TFT LCD	1280 x 1024	350 cd/m ²	170°(H) 160°(V)	Intel® Celeron® 3955U, 2 GHz	1	4	2	2.5" SATA HDD x 1	DDR4, up to 16GB	HDMI x 1	Mini-Card x 1 (Full Size)	VESA 100/ Panel mount	DC 9~30V	-20°C~55°C with airflow	5-wire Resistive	Yes
	OMNI-3175HTT-SKU-A3-1112	17" TFT LCD	1280 x 1024	350 cd/m ²	170°(H) 160°(V)	Intel® i5-6300U, 2.4 GHz	1	4	2	2.5" SATA HDD x 1	DDR4, up to 16GB	HDMI x 1	Mini-Card x 1 (Full Size)	VESA 100/ Panel mount	DC 9~30V	-20°C~55°C with airflow	Projected capacitive	Yes
	OMNI-3175HTT-SKU-A4-1112	17" TFT LCD	1280 x 1024	350 cd/m ²	170°(H) 160°(V)	Intel® Celeron® 3955U, 2 GHz	1	4	2	2.5" SATA HDD x 1	DDR4, up to 16GB	HDMI x 1	Mini-Card x 1 (Full Size)	VESA 100/ Panel mount	DC 9~30V	-20°C~55°C with airflow	Projected capacitive	Yes
Panel Kit	OMNI-317DHTT-KIT-A1-1012	17" TFT LCD	1280 x 1024	350 cd/m ²	170°(H) 160°(V)	—	—	—	—	—	—	—	—	—	—	-20°C~55°C with airflow	5-wire Resistive	No
	OMNI-317DHTT-KIT-A2-1011	17" TFT LCD	1280 x 1024	350 cd/m ²	170°(H) 160°(V)	—	—	—	—	—	—	—	—	—	—	-20°C~55°C with airflow	Projected capacitive	No
CPU BOX Kit	OMNI-SKU-KIT-A1-1110	—	—	—	—	Intel® i5-6300U, 2.4 GHz	1	4	2	2.5" SATA HDD x 1	DDR4, up to 16GB	HDMI x 1	Mini-Card x 1 (Full Size)	VESA 100/ Panel mount	DC 9~30V	-20°C~55°C with airflow	—	Yes
	OMNI-SKU-KIT-A2-1110	—	—	—	—	Intel® Celeron® 3955U, 2 GHz	1	4	2	2.5" SATA HDD x 1	DDR4, up to 16GB	HDMI x 1	Mini-Card x 1 (Full Size)	VESA 100/ Panel mount	DC 9~30V	-20°C~55°C with airflow	—	Yes
	OMNI-SKU-KIT-A3-1110	—	—	—	—	Intel® i7-6600U Processor	1	4	2	2.5" SATA HDD x 1	DDR4, up to 16GB	HDMI x 1	Mini-Card x 1 (Full Size)	Wall mount	DC 9~30V	-20°C~55°C with airflow	—	Yes
	OMNI-SKU-KIT-A4-1110	—	—	—	—	Intel® i3-6100U Processor	1	4	2	2.5" SATA HDD x 1	DDR4, up to 16GB	HDMI x 1	Mini-Card x 1 (Full Size)	Wall mount	DC 9~30V	-20°C~55°C with airflow	—	Yes

Note: 1. AAEON OMNI Modular display kit only workable for OMNI-BOX Kit 2. RAM not included

Packing List

- Phoenix Power Connector
- OMNI-3175-SKU

Optional Accessories

- AP-0T9789LA1000
LCD Monitor Stand 230mm, LA-100
- 170X000799
Power Cord (US Type)
- 170X000800
Power Cord (European Type)
- 170X000803
Power Cord (Japanese Type)
- 1255900849
12V 84W Power Adapter w/ 3pin Terminal Block

OMNI Module (with AAEON Interface)

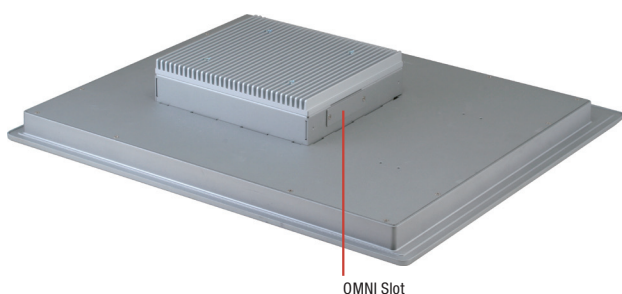
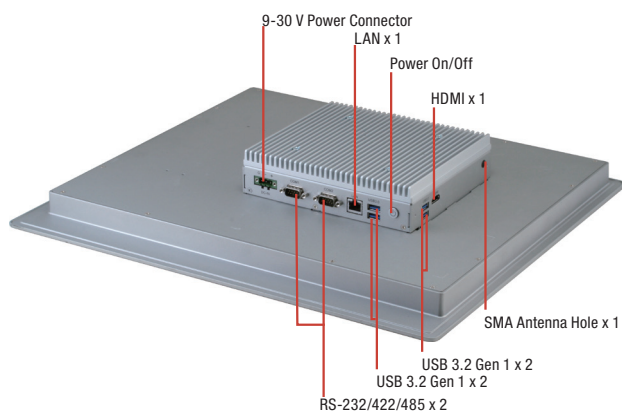
- 9741215501
Mini Card x 2, SIM x 2 Module
- 9741215502
Dual LAN Module
- 9741215506
DIO Module
- 9741215508
Audio Module
- 9741215510
HMS Kit (Europe Limitation)
- 9741215512
Wifi 802.11/b/g/n Module
- 9741215513
RS-485/422/232 x 2 Module
- 9741215515
USB / COM / LAN Module
- 9741215516
RS-485/422/232 x 4 Module
- 9741215517
Isolation RS-485/422/232 x 4 Module
- 9741215518
RS-485/422/232 x 2, DIO x 16 Module

Wide Temperature DRAM

- AP-DR9D4004G00A
4GB Wide Temperature DRAM (-40°C ~ 85°C)
 - 9D4008G001
8GB Wide Temperature DRAM (-40°C ~ 85°C)
 - 968D4016GY
16GB Wide Temperature DRAM (-40°C ~ 85°C)
- **Users should select the wide temperature DRAM above and use wide temperature storage devices if the OMNI panel pc is to be operated at over 40°C.

OMNI-3195-SKU

19" Modular HMI Panel PC with 6th Generation Intel® Core™ i5-6300U/C-3955U Processor



Features

- 19" (1280 x 1024) TFT LCD Display
- Intel® 6th Generation i5-6300U/C-3955U Processor
- P-CAP or Resistive Touch Screen Support
- Aluminum Design
- IP65 Compliant Front Bezel
- Fanless Operation
- Easily Expandable I/O by AAEON OMNI I/O Modules



Specifications

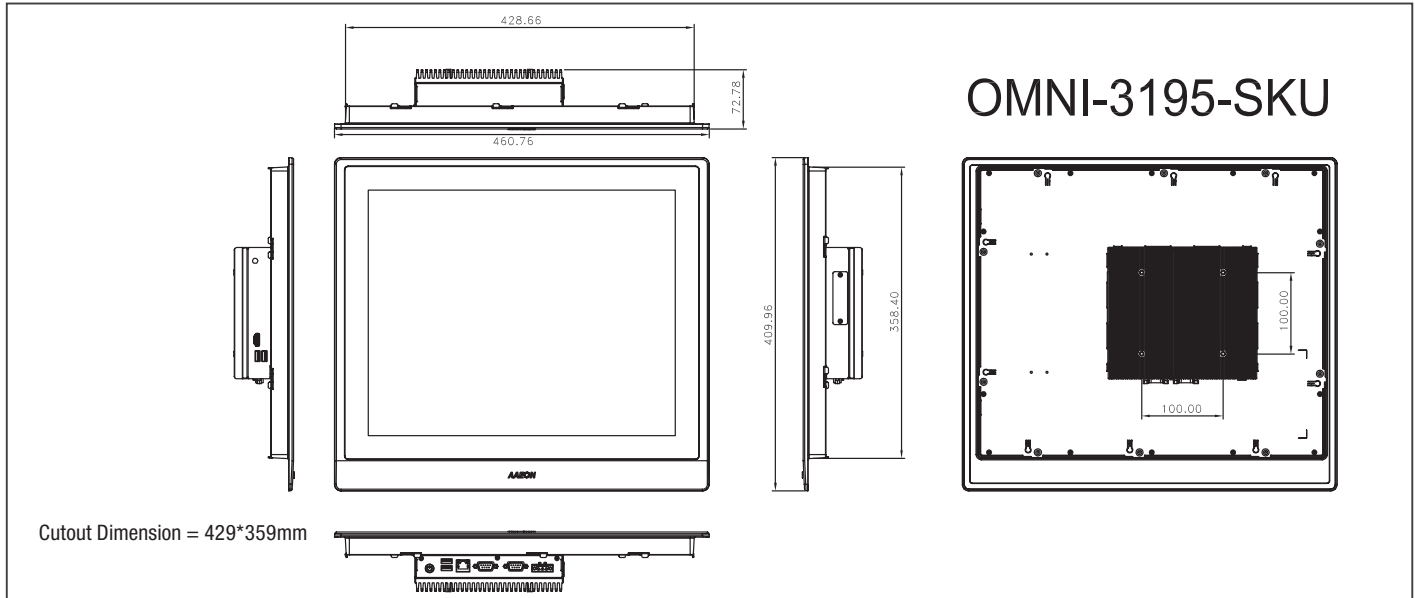
System	
Processor	Intel® i5-6300U processor, 2.4 GHz Intel® Celeron® 3955U processor, 2.0 GHz
System Memory	260-pin DDR4 SODIMM x 1, up to 16 GB
LCD/CRT Controller	Integrated in processor
Ethernet	Intel® I211, 10/100/1000 Base-TX x 1
I/O Port	USB 3.2 Gen 1 Type A x 4 SMA Antenna hole x 1 HDMI x 1 DB-9 Type RS-232/422/485 x 2 RJ-45 Type 10/100/1000Base-TX x 1 3-pin terminal block x1 for 9~30 Vdc power input LED Power on/off switch x1 (Power on = Orange, Power off =N/A)
Storage Disk Drive	2.5" SATA HDD bay x 1
Expansion Slot	Full Size Mini card x 1 SIM card x 1 OMNI I/O connector x 1
OS support	Windows® 8.1, Windows® 10 (64 bit), Linux kernel 2.6.x or higher
Mechanical	
Construction	Aluminum design (IP65 Front Frame)
Mounting	VESA 100 / Panel Mount
Dimension	18.14" x 16.14" x 2.83" (460.8mm x 410mm x 72 mm)
Carton Dimension	26.02" x 8.11" x 19.53" (661mm x 206mm x 496mm)
Gross Weight	20.06 lb (9.1 kg)
Environmental	
Operating Temperature	-4°F ~ 131°F (-20°C ~ 55°C) with 0.5 m/s airflow (Industrial Grade HDD)
Storage Temperature	-4°F ~ 158°F (-20°C ~ 70°C)
Storage Humidity	90% @40°C; non-condensing
Vibration	1 Grms/ 5~ 500Hz/ operation – with HDD
Shock	15 G peak acceleration (11 msec. duration) – with HDD
EMC	CE/FCC class A
Power Supply	
DC input	DC 9 (min.) ~ 30 (max.) V w/3-pin terminal block, ATX Power function
LCD	
Display Type	17" TFT-LCD, LED
Max Resolution	1280 (H) x 1024 (V)
Max. Colors	16.7M colors (RGB 6-bits + Hi-FRC data)
Luminance	350 cd/m ²
Viewing Angle	170 (H), 160 (V)
Back Light	LED
Back Light MTBF (Hours)	50,000
Touchscreen	
Type	P-CAP/ 5-wire resistive
Light Transmission	P-CAP (90% ± 3%), 5-wire Resistive (80% ± 3%)





Dimension

Unit: mm



Ordering Information

	Part Number	Display Type	Max Resolution	Luminance	View Angle	CPU	LAN	USB 3.2 Gen 1	RS-232/422/485	Storage	RAM	Display	Internal Expansion	Mounting	Power	Operating Temp.	Touch	OMNI I/O Module Support
Panel PC	OMNI-3195HTT-SKU-A1-1112	19" TFT LCD	1280 x 1024	350 cd/m ²	170°(H) 160°(V)	Intel® i5-6300U, 2.4 GHz	1	4	2	2.5" SATA HDD x 1	DDR4, up to 16GB	HDMI x 1	Mini-Card x 1 (Full Size)	VESA 100/ Panel mount	DC 9~30V	-20°C~55°C with airflow	5-wire Resistive	Yes
	OMNI-3195HTT-SKU-A2-1112	19" TFT LCD	1280 x 1024	350 cd/m ²	170°(H) 160°(V)	Intel® Celeron® 3955U, 2 GHz	1	4	2	2.5" SATA HDD x 1	DDR4, up to 16GB	HDMI x 1	Mini-Card x 1 (Full Size)	VESA 100/ Panel mount	DC 9~30V	-20°C~55°C with airflow	5-wire Resistive	Yes
	OMNI-3195HTT-SKU-A3-1112	19" TFT LCD	1280 x 1024	350 cd/m ²	170°(H) 160°(V)	Intel® i5-6300U, 2.4 GHz	1	4	2	2.5" SATA HDD x 1	DDR4, up to 16GB	HDMI x 1	Mini-Card x 1 (Full Size)	VESA 100/ Panel mount	DC 9~30V	-20°C~55°C with airflow	Projected capacitive	Yes
	OMNI-3195HTT-SKU-A4-1112	19" TFT LCD	1280 x 1024	350 cd/m ²	170°(H) 160°(V)	Intel® Celeron® 3955U, 2 GHz	1	4	2	2.5" SATA HDD x 1	DDR4, up to 16GB	HDMI x 1	Mini-Card x 1 (Full Size)	VESA 100/ Panel mount	DC 9~30V	-20°C~55°C with airflow	Projected capacitive	Yes
Panel Kit	OMNI-319DHTT-KIT-A1-1012	19" TFT LCD	1280 x 1024	350 cd/m ²	170°(H) 160°(V)	—	—	—	—	—	—	—	—	—	—	-20°C~55°C with airflow	5-wire Resistive	No
	OMNI-319DHTT-KIT-A2-1011	19" TFT LCD	1280 x 1024	350 cd/m ²	170°(H) 160°(V)	—	—	—	—	—	—	—	—	—	—	-20°C~55°C with airflow	Projected capacitive	No
CPU BOX Kit	OMNI-SKU-KIT-A1-1110	—	—	—	—	Intel® i5-6300U, 2.4 GHz	1	4	2	2.5" SATA HDD x 1	DDR4, up to 16GB	HDMI x 1	Mini-Card x 1 (Full Size)	VESA 100/ Panel mount	DC 9~30V	-20°C~55°C with airflow	—	Yes
	OMNI-SKU-KIT-A2-1110	—	—	—	—	Intel® Celeron® 3955U, 2 GHz	1	4	2	2.5" SATA HDD x 1	DDR4, up to 16GB	HDMI x 1	Mini-Card x 1 (Full Size)	VESA 100/ Panel mount	DC 9~30V	-20°C~55°C with airflow	—	Yes
	OMNI-SKU-KIT-A3-1110	—	—	—	—	Intel® i7-6600U Processor	1	4	2	2.5" SATA HDD x 1	DDR4, up to 16GB	HDMI x 1	Mini-Card x 1 (Full Size)	Wall mount	DC 9~30V	-20°C~55°C with airflow	—	Yes
	OMNI-SKU-KIT-A4-1110	—	—	—	—	Intel® i3-6100U Processor	1	4	2	2.5" SATA HDD x 1	DDR4, up to 16GB	HDMI x 1	Mini-Card x 1 (Full Size)	Wall mount	DC 9~30V	-20°C~55°C with airflow	—	Yes

Note: 1. AAEON OMNI Modular display kit only workable for OMNI-BOX Kit 2. RAM not included

Packing List

- Phoenix Power Connector
- OMNI-3195-SKU

Optional Accessories

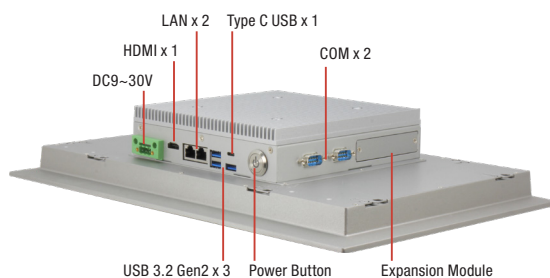
- AP-0T9789LA1000
LCD Monitor Stand 230mm, LA-100
- 170X000799
Power Cord (US Type)
- 170X000800
Power Cord (European Type)
- 170X000803
Power Cord (Japanese Type)
- 1255900849
12V 84W Power Adapter w/ 3pin Terminal Block

OMNI Module (with AAEON Interface)

- 9741215501
Mini Card x 2, SIM x 2 Module
- 9741215502
Dual LAN Module
- 9741215506
DIO Module
- 9741215508
Audio Module
- 9741215510
HMS Kit (Europe Limitation)
- 9741215512
Wifi 802.11/b/g/n Module
- 9741215513
RS-485/422/232 x 2 Module
- 9741215515
USB / COM / LAN Module
- 9741215516
RS-485/422/232 x 4 Module
- 9741215517
Isolation RS-485/422/232 x 4 Module
- 9741215518
RS-485/422/232 x 2, DIO x 16 Module

Wide Temperature DRAM

- AP-DR9D4004G00A
4GB Wide Temperature DRAM (-40°C ~ 85°C)
 - 9D4008G001
8GB Wide Temperature DRAM (-40°C ~ 85°C)
 - 968D4016GY
16GB Wide Temperature DRAM (-40°C ~ 85°C)
- **Users should select the wide temperature DRAM above and use wide temperature storage devices if the OMNI panel pc is to be operated at over 40°C.



Optional Accessories

9651MNAD02
USB 2.0 x 2



9651MNAD01
RS-232/422/485 x 2



Features

- 15.6" (1920 x 1080) / (1366 x 768) TFT LCD Display
- 12th Generation Intel® Core™ i7/i5/i3/Celeron® Processors
- P-CAP or Resistive Touch Screen Support
- M.2 2280 M-Key (PCIe [x4])
- Aluminum Design
- IP65 Compliant Front Bezel
- Fanless Operation
- VESA Mount/Built-in Panel Mount Bracket
- Wide 9 ~ 30V DC Input Range



Specifications

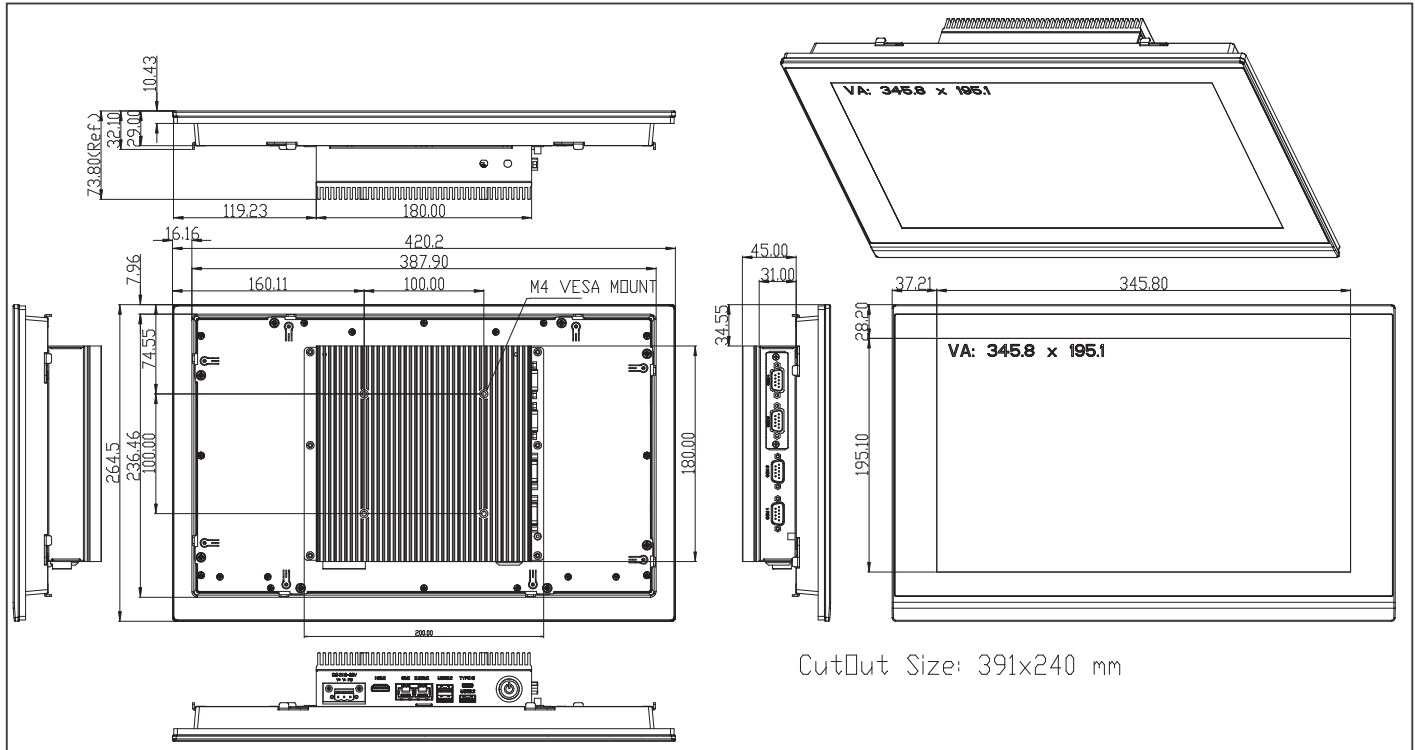
System	
Processor	12th Generation Intel® Core™/Celeron® Processors: Intel® Core™ i7-1265UE Intel® Core™ i5-1245UE Intel® Core™ i3-1215UE Intel® Celeron® Processor 7305E
System Memory	DDR5 4800 MHz, Dual Channel SODIMM x 2, up to 64GB
LCD/CRT Controller	—
Ethernet	Intel® i219, 10/100/1000Base Intel® i226, 10/100/1000/2500Base
I/O Port	RJ-45 LAN x 2 USB 3.2 Gen 2 (Type-A) x 3 USB 2.0 x 1 (Type-C) HDMI 2.0b x 1 DB-9 x 2 (RS-232/422/485)
Storage Disk Drive	2.5" HDD Bay for SATA 6Gb/s x 1 M.2 2280 M-Key x 1 (PCIe [x4] for NVMe Storage)
Expansion Slot	M.2 3052 B-Key x 1 (Default: USB 3.2 Gen 2 + SATA, PCIe [x2] optional by BOM) M.2 2230 E-Key x 1 (PCIe, USB 2.0)
OS support	Windows® 10 IoT Enterprise LTSC 2021 Windows® 10/11
Mechanical	
Construction	Aluminum Front Bezel + Metal Chassis
Mounting	VESA / Panel Mount
Dimension	16.5" x 10.41" x 2.9" (420.2mm x 264.5mm x 73.8mm)
Carton Dimension	20.86" x 17.51" x 7.87" (530 mm x 445 mm x 200mm)
Gross Weight	11.46 lb (5.2kg)
Environmental	
Operating Temperature	-4°F ~ 122°F (-20°C ~ 50°C) with 0.5 m/s Airflow
Storage Temperature	-4°F ~ 140°F (-20°C ~ 60°C)
Storage Humidity	90% @40°C; non-condensing
Vibration	1Grms / 5~ 500Hz / operation
Shock	15 G peak acceleration (11 msec. duration)
EMC	CE/FCC Class A
Power Supply	
DC input	DC 9~30V
LCD	
Display Type	15.6" TFT-LCD, LED
Max Resolution	Regular 1366 (H) x 768 (V) Full HD 1920 (H) x 1080 (V)
Max. Colors	Regular :16.7M (8 bit/color) Full HD: 16.2M
Luminance	Regular : 400 cd/m ² Full HD : 450 cd/m ²
Viewing Angle	Regular : 170° (H) ; 130° (V) Full HD: 178° (H) ; 178° (V)
Back Light	LED
Back Light MTBF (Hours)	50,000
Touchscreen	





Dimension

Unit: mm



Ordering Information

Part Number	Display Type	Max Resolution	Luminance	View Angle	CPU	LAN	USB	RS-232/422/485	Storage	RAM	Display	Internal Expansion	Mounting	Power	Operating Temp.	Touch
OMNI-2155HTT-ADP-A5-1010	15.6" TFT LCD	1366 x 768	400 cd/m ²	170°(H) 130°(V)	Intel® Celeron® Processor 7305E	2	USB 3.2 Gen 2 (Type-A) x 3 USB 2.0 x 1 (Type-C)	2	2.5" SATA-III x 1 M.2 2280 M-Key x 1 (PCIe [x4] for NVMe Storage)	DDR5, up to 64GB	HDMI x1	M.2 3052 B-Key x 1 (Default: USB 3.2 Gen 2 + SATA, PCIe [x2] optional by BOM) M.2 2230 E-Key x 1 (PCIe, USB 2.0)	VESA / Panel Mount	DC 9~30V	-20°C ~ 50°C with airflow	Projected capacitive
OMNI-2155HTT-ADP-A6-1010	15.6" TFT LCD	1366 x 768	400 cd/m ²	170°(H) 130°(V)	Intel® Core™ i3-1215UE	2	USB 3.2 Gen 2 (Type-A) x 3 USB 2.0 x 1 (Type-C)	2	2.5" SATA-III x 1 M.2 2280 M-Key x 1 (PCIe [x4] for NVMe Storage)	DDR5, up to 64GB	HDMI x1	M.2 3052 B-Key x 1 (Default: USB 3.2 Gen 2 + SATA, PCIe [x2] optional by BOM) M.2 2230 E-Key x 1 (PCIe, USB 2.0)	VESA / Panel Mount	DC 9~30V	-20°C ~ 50°C with airflow	Projected capacitive
OMNI-2155HTT-ADP-A7-1010	15.6" TFT LCD	1366 x 768	400 cd/m ²	170°(H) 130°(V)	Intel® Core™ i5-1245UE	2	USB 3.2 Gen 2 (Type-A) x 3 USB 2.0 x 1 (Type-C)	2	2.5" SATA-III x 1 M.2 2280 M-Key x 1 (PCIe [x4] for NVMe Storage)	DDR5, up to 64GB	HDMI x1	M.2 3052 B-Key x 1 (Default: USB 3.2 Gen 2 + SATA, PCIe [x2] optional by BOM) M.2 2230 E-Key x 1 (PCIe, USB 2.0)	VESA / Panel Mount	DC 9~30V	-20°C ~ 50°C with airflow	Projected capacitive
OMNI-2155HTT-ADP-A8-1010	15.6" TFT LCD	1366 x 768	400 cd/m ²	170°(H) 130°(V)	Intel® Core™ i7-1265UE	2	USB 3.2 Gen 2 (Type-A) x 3 USB 2.0 x 1 (Type-C)	2	2.5" SATA-III x 1 M.2 2280 M-Key x 1 (PCIe [x4] for NVMe Storage)	DDR5, up to 64GB	HDMI x1	M.2 3052 B-Key x 1 (Default: USB 3.2 Gen 2 + SATA, PCIe [x2] optional by BOM) M.2 2230 E-Key x 1 (PCIe, USB 2.0)	VESA / Panel Mount	DC 9~30V	-20°C ~ 50°C with airflow	Projected capacitive
OMNI-2155HDT-ADP-A5-1010	15.6" TFT LCD	1920 x 1080	450 cd/m ²	178°(H) 178°(V)	Intel® Celeron® Processor 7305E	2	USB 3.2 Gen 2 (Type-A) x 3 USB 2.0 x 1 (Type-C)	2	2.5" SATA-III x 1 M.2 2280 M-Key x 1 (PCIe [x4] for NVMe Storage)	DDR5, up to 64GB	HDMI x1	M.2 3052 B-Key x 1 (Default: USB 3.2 Gen 2 + SATA, PCIe [x2] optional by BOM) M.2 2230 E-Key x 1 (PCIe, USB 2.0)	VESA / Panel Mount	DC 9~30V	-20°C ~ 50°C with airflow	Projected capacitive
OMNI-2155HDT-ADP-A6-1010	15.6" TFT LCD	1920 x 1080	450 cd/m ²	178°(H) 178°(V)	Intel® Core™ i3-1215UE	2	USB 3.2 Gen 2 (Type-A) x 3 USB 2.0 x 1 (Type-C)	2	2.5" SATA-III x 1 M.2 2280 M-Key x 1 (PCIe [x4] for NVMe Storage)	DDR5, up to 64GB	HDMI x1	M.2 3052 B-Key x 1 (Default: USB 3.2 Gen 2 + SATA, PCIe [x2] optional by BOM) M.2 2230 E-Key x 1 (PCIe, USB 2.0)	VESA / Panel Mount	DC 9~30V	-20°C ~ 50°C with airflow	Projected capacitive
OMNI-2155HDT-ADP-A7-1010	15.6" TFT LCD	1920 x 1080	450 cd/m ²	178°(H) 178°(V)	Intel® Core™ i5-1245UE	2	USB 3.2 Gen 2 (Type-A) x 3 USB 2.0 x 1 (Type-C)	2	2.5" SATA-III x 1 M.2 2280 M-Key x 1 (PCIe [x4] for NVMe Storage)	DDR5, up to 64GB	HDMI x1	M.2 3052 B-Key x 1 (Default: USB 3.2 Gen 2 + SATA, PCIe [x2] optional by BOM) M.2 2230 E-Key x 1 (PCIe, USB 2.0)	VESA / Panel Mount	DC 9~30V	-20°C ~ 50°C with airflow	Projected capacitive
OMNI-2155HDT-ADP-A8-1010	15.6" TFT LCD	1920 x 1080	450 cd/m ²	178°(H) 178°(V)	Intel® Core™ i7-1265UE	2	USB 3.2 Gen 2 (Type-A) x 3 USB 2.0 x 1 (Type-C)	2	2.5" SATA-III x 1 M.2 2280 M-Key x 1 (PCIe [x4] for NVMe Storage)	DDR5, up to 64GB	HDMI x1	M.2 3052 B-Key x 1 (Default: USB 3.2 Gen 2 + SATA, PCIe [x2] optional by BOM) M.2 2230 E-Key x 1 (PCIe, USB 2.0)	VESA / Panel Mount	DC 9~30V	-20°C ~ 50°C with airflow	Projected capacitive

Packing List

- Phoenix Power Connector
- OMNI-2155-ADP
- Screws

Optional Accessories

- AP-0T9789LA1000
LA-100 LCD Monitor Stand
- 170X000799
Power Cord (US Type)
- 170X000800
- 170X000803
Power Cord (Japanese Type)
- 1255X00059
19V 120W Power Adapter
- 9651MNAD02
- 9651MNAD01
RS-232/422/485 x 2 (Expansion I/O Module)

Front View

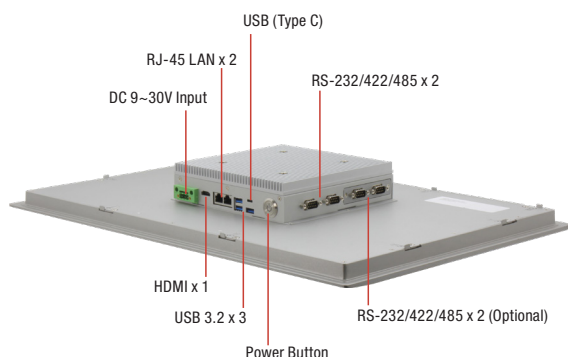


Top View



Antenna Hole x 2

Bottom View


 USB (Type C)
 RJ-45 LAN x 2
 DC 9~30V Input
 RS-232/422/485 x 2
 HDMI x 1
 USB 3.2 x 3
 Power Button
 RS-232/422/485 x 2 (Optional)

Features

- 21.5" (1920 x 1080) TFT LCD Display
- 12th Generation Intel® Core™/Celeron® Processors
- P-CAP or Resistive Touch Screen Support
- M.2 2280 M-Key x 1 (PCIe [x4] NVMe Storage)
- Aluminum Design
- IP65 Compliant Front Bezel
- Fanless Operation
- VESA Mount/ Built-in Panel Mount Bracket
- 9-30V DC in a wide range of input



Specifications

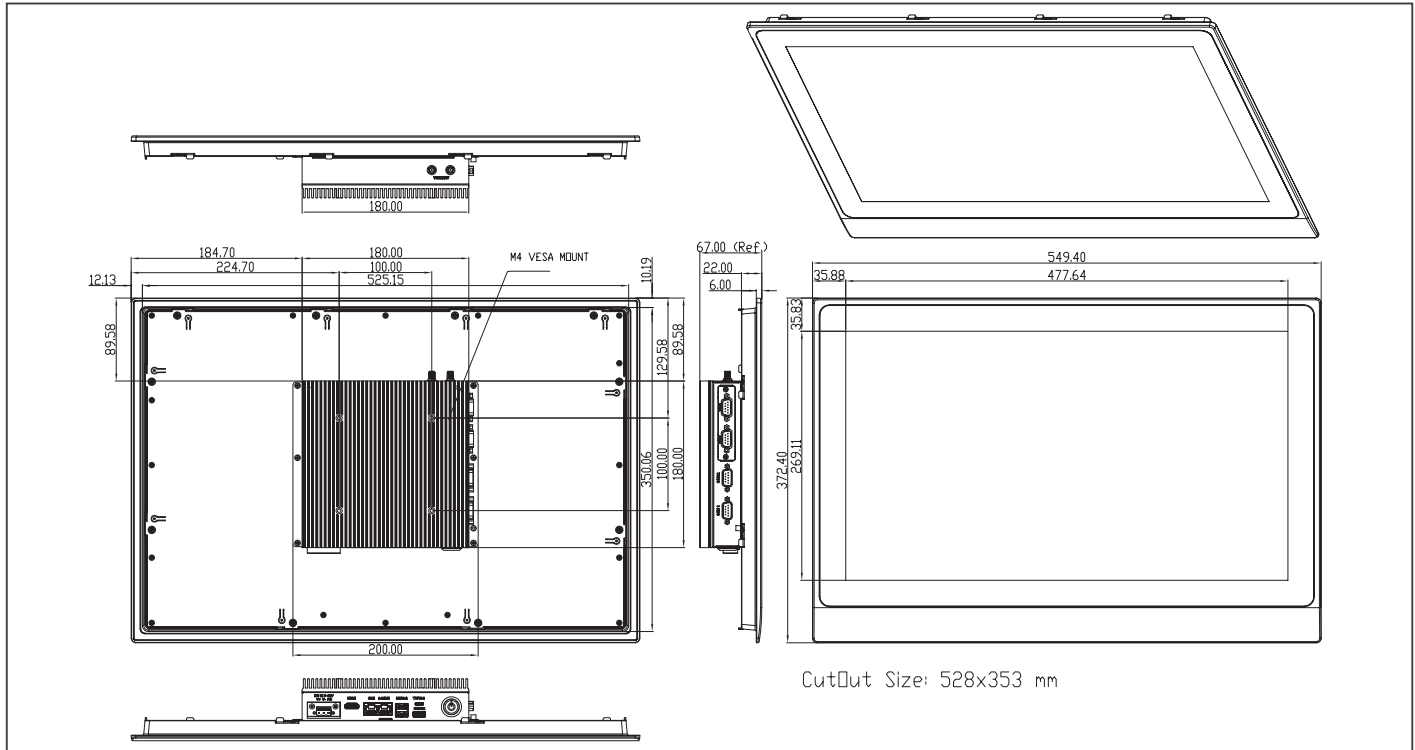
System	
Processor	12th Generation Intel® Core™/Celeron® Processors
System Memory	DDR5 4800MHz, Dual Channel SODIMM x 2, up to 64GB
LCD/CRT Controller	—
Ethernet	Intel® Ethernet Connection I219, 10/100/1000Base Intel® Ethernet Controller I226, 10/100/1000/2500Base
I/O Port	RJ-45 LAN x 2 USB 3.2 Gen 2 (Type-A) x 3 USB 2.0 (Type-C) x 1 HDMI 2.0b x 1 DB-9 x 2 (RS-232/422/485)
Storage Disk Drive	2.5" HDD Bay for SATA 6Gb/s x 1 M.2 2280 M-Key x 1 (PCIe [x4] NVMe Storage)
Expansion Slot	M.2 3052 B-Key x 1 (Default: USB 3.2 Gen 2 + SATA, PCIe [x2] optional by BOM) M.2 2230 E-Key x 1 (PCIe, USB 2.0)
OS support	Windows® 10 IoT Enterprise LTSC 2021 Windows® 10/11
Mechanical	
Construction	Aluminum Front Bezel + Metal Chassis
Mounting	VESA / Panel Mount
Dimension	21.63" x 14.66" x 2.64" (549.4mm x 372.4mm x 67mm)
Carton Dimension	26.38" x 20.67" x 7.87" (670mm x 525mm x 200mm)
Gross Weight	14.9 lb. (6.8Kg)
Environmental	
Operating Temperature	-4°F~122°F (-20°C~50°C) with airflow
Storage Temperature	-4°F~140°F (-20°C~60°C)
Storage Humidity	90% @40°C; non-condensing
Vibration	1Grms / 5~ 500Hz / operation
Shock	15 G peak acceleration (11 msec. duration)
EMC	CE/FCC Class A Compatible
Power Supply	
DC input	DC 9~30V
LCD	
Display Type	21.5" TFT-LCD, LED
Max Resolution	1920 x 1080
Max. Colors	16.7M colors
Luminance	250 cd/m ²
Viewing Angle	178° (H) ; 178° (V)
Back Light	LED
Back Light MTBF (Hours)	50,000 Hrs
Touchscreen	
Type	P-CAP/ 5-wire resistive
Light Transmission	P-CAP (≥85%), 5-wire Resistive (80% ± 3%)





Dimension

Unit: mm



Ordering Information

Part Number	Display Type	Max Resolution	Luminance	View Angle	CPU	LAN	USB	RS-232/422/485	Storage	RAM	Display	Internal Expansion	Mounting	Power	Operating Temp.	Touch
OMNI-2215HTT-ADP-A1-1010	21.5" TFT LCD	1920 x 1080	250 cd/m ²	178°(H)/178°(V)	Intel® Celeron® Processor 7305E	2	USB 3.2 Gen2 (Type A) x3 USB 2.0 x1 (Type C)	2	2.5" SATA-III x1 M.2 2280 M-Key x1 (PCIe[x4] for NVMe Storage)	DDR5, up to 64GB	HDMI x1	M.2 3052 B Key x1 (Default: USB 3.2Gen 2 + SATA, PCIe[x2] optional by BOM) M.2 2230 E-Key x1 (PCIe, USB 2.0)	VESA / Panel Mount	DC 9~30V	-20°~50°C with air flow	Resistive Touch
OMNI-2215HTT-ADP-A2-1010	21.5" TFT LCD	1920 x 1080	250 cd/m ²	178°(H)/178°(V)	Intel® Core™ i3-1215UE	2	USB 3.2 Gen2 (Type A) x3 USB 2.0 x1 (Type C)	2	2.5" SATA-III x1 M.2 2280 M-Key x1 (PCIe[x4] for NVMe Storage)	DDR5, up to 64GB	HDMI x1	M.2 3052 B Key x1 (Default: USB 3.2Gen 2 + SATA, PCIe[x2] optional by BOM) M.2 2230 E-Key x1 (PCIe, USB 2.0)	VESA / Panel Mount	DC 9~30V	-20°~50°C with air flow	Resistive Touch
OMNI-2215HTT-ADP-A3-1010	21.5" TFT LCD	1920 x 1080	250 cd/m ²	178°(H)/178°(V)	Intel® Core™ i5-1245UE	2	USB 3.2 Gen2 (Type A) x3 USB 2.0 x1 (Type C)	2	2.5" SATA-III x1 M.2 2280 M-Key x1 (PCIe[x4] for NVMe Storage)	DDR5, up to 64GB	HDMI x1	M.2 3052 B Key x1 (Default: USB 3.2Gen 2 + SATA, PCIe[x2] optional by BOM) M.2 2230 E-Key x1 (PCIe, USB 2.0)	VESA / Panel Mount	DC 9~30V	-20°~50°C with air flow	Resistive Touch
OMNI-2215HTT-ADP-A5-1010	21.5" TFT LCD	1920 x 1080	250 cd/m ²	178°(H)/178°(V)	Intel® Celeron® Processor 7305E	2	USB 3.2 Gen2 (Type A) x3 USB 2.0 x1 (Type C)	2	2.5" SATA-III x1 M.2 2280 M-Key x1 (PCIe[x4] for NVMe Storage)	DDR5, up to 64GB	HDMI x1	M.2 3052 B Key x1 (Default: USB 3.2Gen 2 + SATA, PCIe[x2] optional by BOM) M.2 2230 E-Key x1 (PCIe, USB 2.0)	VESA / Panel Mount	DC 9~30V	-20°~50°C with air flow	Projective Touch
OMNI-2215HTT-ADP-A6-1010	21.5" TFT LCD	1920 x 1080	250 cd/m ²	178°(H)/178°(V)	Intel® Core™ i3-1215UE	2	USB 3.2 Gen2 (Type A) x3 USB 2.0 x1 (Type C)	2	2.5" SATA-III x1 M.2 2280 M-Key x1 (PCIe[x4] for NVMe Storage)	DDR5, up to 64GB	HDMI x1	M.2 3052 B Key x1 (Default: USB 3.2Gen 2 + SATA, PCIe[x2] optional by BOM) M.2 2230 E-Key x1 (PCIe, USB 2.0)	VESA / Panel Mount	DC 9~30V	-20°~50°C with air flow	Projective Touch
OMNI-2215HTT-ADP-A7-1010	21.5" TFT LCD	1920 x 1080	250 cd/m ²	178°(H)/178°(V)	Intel® Core™ i5-1245UE	2	USB 3.2 Gen2 (Type A) x3 USB 2.0 x1 (Type C)	2	2.5" SATA-III x1 M.2 2280 M-Key x1 (PCIe[x4] for NVMe Storage)	DDR5, up to 64GB	HDMI x1	M.2 3052 B Key x1 (Default: USB 3.2Gen 2 + SATA, PCIe[x2] optional by BOM) M.2 2230 E-Key x1 (PCIe, USB 2.0)	VESA / Panel Mount	DC 9~30V	-20°~50°C with air flow	Projective Touch

Packing List

- Phoenix Power Connector
- OMNI-2215-ADP
- Screws

Optional Accessories

- AP-OT9789LA1000
LA-100 LCD Monitor Stand
- 170X000799
Power Cord (US Type)
- 170X000800
Power Cord (European Type)
- 170X000803
Power Cord (Japanese Type)
- 1255X00059
19V 120W Power Adapter
- 9651MNAD02
USB 2.0 x 2 (Expansion I/O Module)
- 9651MNAD01
RS-232/422/485 x 2 (Expansion I/O Module)

Front View

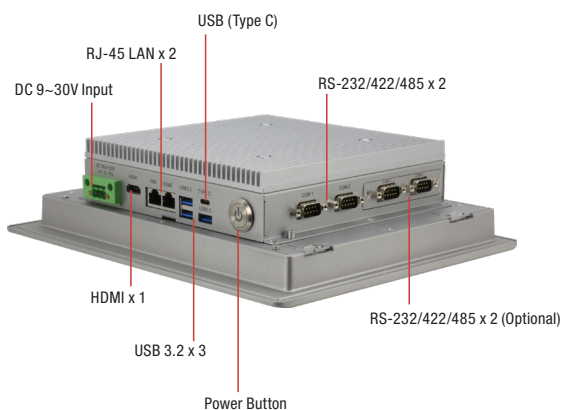


Top View



Antenna Hole x 2

Bottom View



Features

- 10.4" (1024 x 768) TFT LCD Display
- 12th Generation Intel® Core™/Celeron® Processors (Max. 15W TDP)
- P-CAP or Resistive Touch Screen Support
- M.2 2280 M-Key x 1 (PCIe [x4] NVMe Storage)
- Aluminum Design
- IP65 Compliant Front Bezel
- Fanless Operation
- VESA Mount/Built-in Panel Mount Bracket
- 9-30V DC in a wide range of input



Specifications

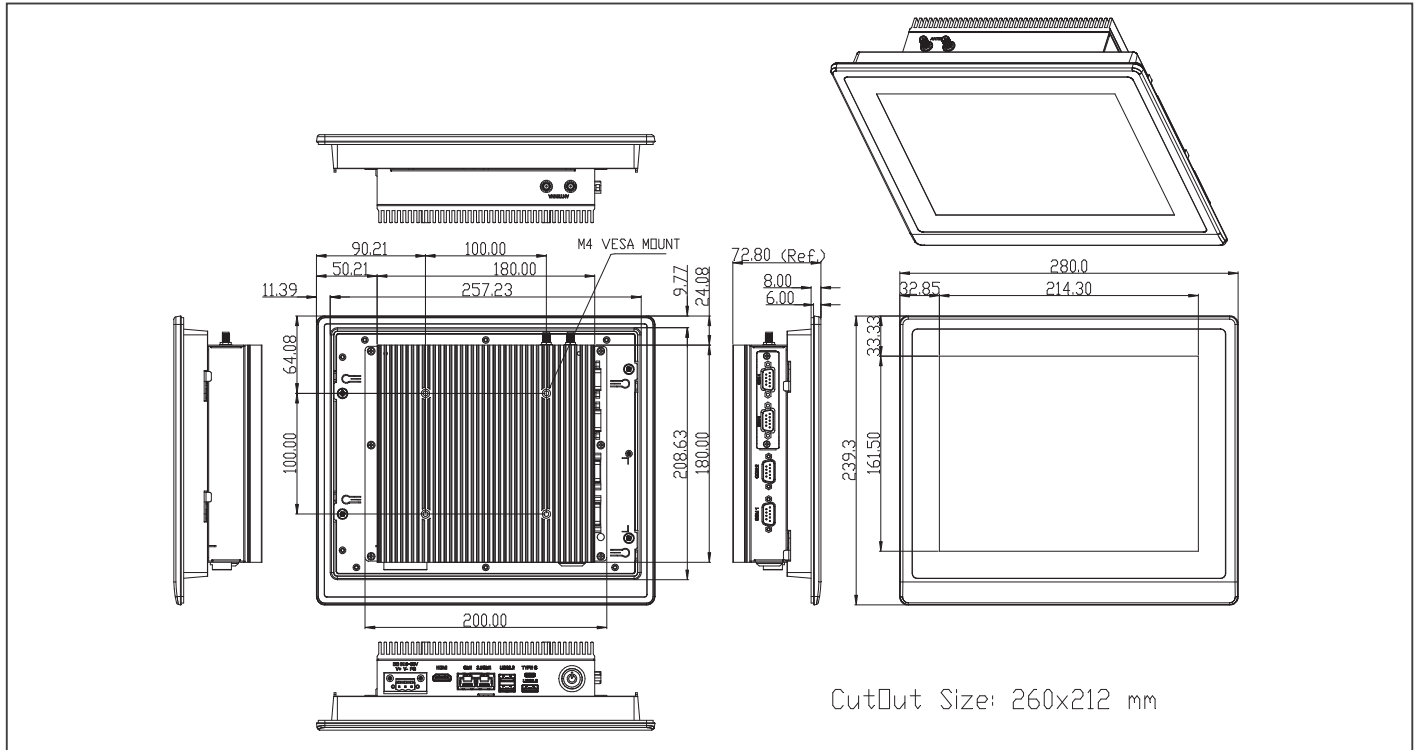
System	
Processor	12th Generation Intel® Core™/Celeron® Processors
System Memory	DDR5 4800MHz, Dual Channel SODIMM x 2
LCD/CRT Controller	—
Ethernet	Intel® Ethernet Connection I219, 10/100/1000Base Intel® Ethernet Controller I226, 10/100/1000/2500Base
I/O Port	RJ-45 LAN x 2 USB 3.2 Gen 2 (Type-A) x 3 USB (Type-C) x 1 HDMI 2.0b x 1 DB-9 x 2 (RS-232/422/485)
Storage Disk Drive	2.5" HDD Bay for SATA 6Gb/s x 1 M.2 2280 M-Key x 1 (PCIe [x4] NVMe Storage)
Expansion Slot	M.2 3052 B-Key x 1 (BOM Optional: PCIe [x2], default: USB 3.2 Gen 2 + SATA) M.2 2230 E-Key x 1 (PCIe, USB 2.0)
OS support	Windows® 10 IoT Enterprise LTSC 2021 Windows® 10/11
Mechanical	
Construction	Aluminum Front Bezel + Metal Chassis
Mounting	VESA / Panel Mount
Dimension	11" x 9.4" x 2.8" (280mm x 239.3mm x 72.8mm)
Carton Dimension	16.3" x 15.4" x 7" (415mm x 392mm x 180mm)
Gross Weight	6.2 lb. (2.84Kg)
Environmental	
Operating Temperature	-4°F~122°F (-20°C~50°C) with airflow
Storage Temperature	-4°F~140°F (-20°C~60°C)
Storage Humidity	90% @40°C; non-condensing
Vibration	1Grms / 5- 500Hz / operation
Shock	15 G peak acceleration (11 msec. duration)
EMC	CE/FCC Class A Compatible
Power Supply	
DC input	DC 9-30V
LCD	
Display Type	10.4" TFT-LCD, LED
Max Resolution	1024 (H) x 768 (V)
Max. Colors	262K/16.7M
Luminance	500 cd/m ²
Viewing Angle	176° (H) x 176° (V)
Back Light	LED
Back Light MTBF (Hours)	50,000
Touchscreen	
Type	P-CAP/ 5-wire resistive
Light Transmission	P-CAP (90% ± 3%), 5-wire Resistive (80% ± 3%)





Dimension

Unit: mm



Ordering Information

Part Number	Display Type	Max Resolution	Luminance	View Angle	CPU	LAN	USB	RS-232/422/485	Storage	RAM	Display	Internal Expansion	Mounting	Power	Operating Temp.	Touch
OMNI-3105HTT-ADP-A1-1010	10.4" TFT LCD	1024 x 768	500 cd/m ²	176° (H) x 176° (V)	Intel® Celeron® Processor 7305E	2	USB 3.2 Gen2 (Type A) x3 USB 2.0 x1 (Type C)	2	2.5" SATA-III x1 M.2 2280 M-Key x1 (PCIe[x4] for NVMe Storage)	DDR5, up to 64GB	HDMI x1	M.2 3052 B Key x1 (Default: USB 3.2Gen 2 + SATA, PCIe[x2] optional by BOM) M.2 2230 E-Key x1 (PCIe, USB 2.0)	VESA / Panel Mount	DC 9~30V	-20°~50°C with air flow	Resistive Touch
OMNI-3105HTT-ADP-A2-1010	10.4" TFT LCD	1024 x 768	500 cd/m ²	176° (H) x 176° (V)	Intel® Core™ i3-1215UE	2	USB 3.2 Gen2 (Type A) x3 USB 2.0 x1 (Type C)	2	2.5" SATA-III x1 M.2 2280 M-Key x1 (PCIe[x4] for NVMe Storage)	DDR5, up to 64GB	HDMI x1	M.2 3052 B Key x1 (Default: USB 3.2Gen 2 + SATA, PCIe[x2] optional by BOM) M.2 2230 E-Key x1 (PCIe, USB 2.0)	VESA / Panel Mount	DC 9~30V	-20°~50°C with air flow	Resistive Touch
OMNI-3105HTT-ADP-A3-1010	10.4" TFT LCD	1024 x 768	500 cd/m ²	176° (H) x 176° (V)	Intel® Core™ i5-1245UE	2	USB 3.2 Gen2 (Type A) x3 USB 2.0 x1 (Type C)	2	2.5" SATA-III x1 M.2 2280 M-Key x1 (PCIe[x4] for NVMe Storage)	DDR5, up to 64GB	HDMI x1	M.2 3052 B Key x1 (Default: USB 3.2Gen 2 + SATA, PCIe[x2] optional by BOM) M.2 2230 E-Key x1 (PCIe, USB 2.0)	VESA / Panel Mount	DC 9~30V	-20°~50°C with air flow	Resistive Touch
OMNI-3105HTT-ADP-A5-1010	10.4" TFT LCD	1024 x 768	500 cd/m ²	176° (H) x 176° (V)	Intel® Celeron® Processor 7305E	2	USB 3.2 Gen2 (Type A) x3 USB 2.0 x1 (Type C)	2	2.5" SATA-III x1 M.2 2280 M-Key x1 (PCIe[x4] for NVMe Storage)	DDR5, up to 64GB	HDMI x1	M.2 3052 B Key x1 (Default: USB 3.2Gen 2 + SATA, PCIe[x2] optional by BOM) M.2 2230 E-Key x1 (PCIe, USB 2.0)	VESA / Panel Mount	DC 9~30V	-20°~50°C with air flow	Projective Touch
OMNI-3105HTT-ADP-A6-1010	10.4" TFT LCD	1024 x 768	500 cd/m ²	176° (H) x 176° (V)	Intel® Core™ i3-1215UE	2	USB 3.2 Gen2 (Type A) x3 USB 2.0 x1 (Type C)	2	2.5" SATA-III x1 M.2 2280 M-Key x1 (PCIe[x4] for NVMe Storage)	DDR5, up to 64GB	HDMI x1	M.2 3052 B Key x1 (Default: USB 3.2Gen 2 + SATA, PCIe[x2] optional by BOM) M.2 2230 E-Key x1 (PCIe, USB 2.0)	VESA / Panel Mount	DC 9~30V	-20°~50°C with air flow	Projective Touch
OMNI-3105HTT-ADP-A7-1010	10.4" TFT LCD	1024 x 768	500 cd/m ²	176° (H) x 176° (V)	Intel® Core™ i5-1245UE	2	USB 3.2 Gen2 (Type A) x3 USB 2.0 x1 (Type C)	2	2.5" SATA-III x1 M.2 2280 M-Key x1 (PCIe[x4] for NVMe Storage)	DDR5, up to 64GB	HDMI x1	M.2 3052 B Key x1 (Default: USB 3.2Gen 2 + SATA, PCIe[x2] optional by BOM) M.2 2230 E-Key x1 (PCIe, USB 2.0)	VESA / Panel Mount	DC 9~30V	-20°~50°C with air flow	Projective Touch

Packing List

- Phoenix Power Connector
- OMNI-3105-ADP
- Screws

Optional Accessories

- **AP-OT9789LA1000**
LA-100 LCD Monitor Stand
- **170X000799**
Power Cord (US Type)
- **170X000800**
Power Cord (European Type)
- **170X000803**
Power Cord (Japanese Type)
- **1255X00059**
19V 120W Power Adapter
- **9651MNAD02**
USB 2.0 x 2 (Expansion I/O Module)
- **9651MNAD01**
RS-232/422/485 x 2 (Expansion I/O Module)

12.1" Modular HMI Panel PC with 12th Generation Intel® Core™/Celeron® Processors

Front View

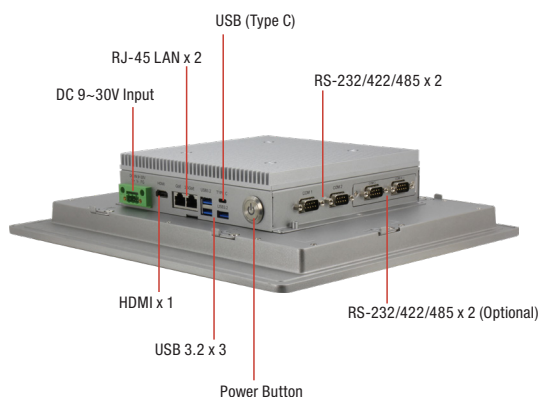


Top View



Antenna Hole x 2

Bottom View



Features

- 12.1" (1024 x 768) TFT LCD Display
- Intel® Alder Lake-P i7/i5/i3/Celeron CPU (max. 15W TDP)
- P-CAP or Resistive Touch Screen Support
- M.2 2280 M-Key x 1 (PCIe [x4] NVMe Storage)
- Aluminum Design
- IP65 Compliant Front Bezel
- Fanless Operation
- VESA Mount/ Built-in Panel Mount Bracket
- 9-30V DC in a wide range of input



Specifications

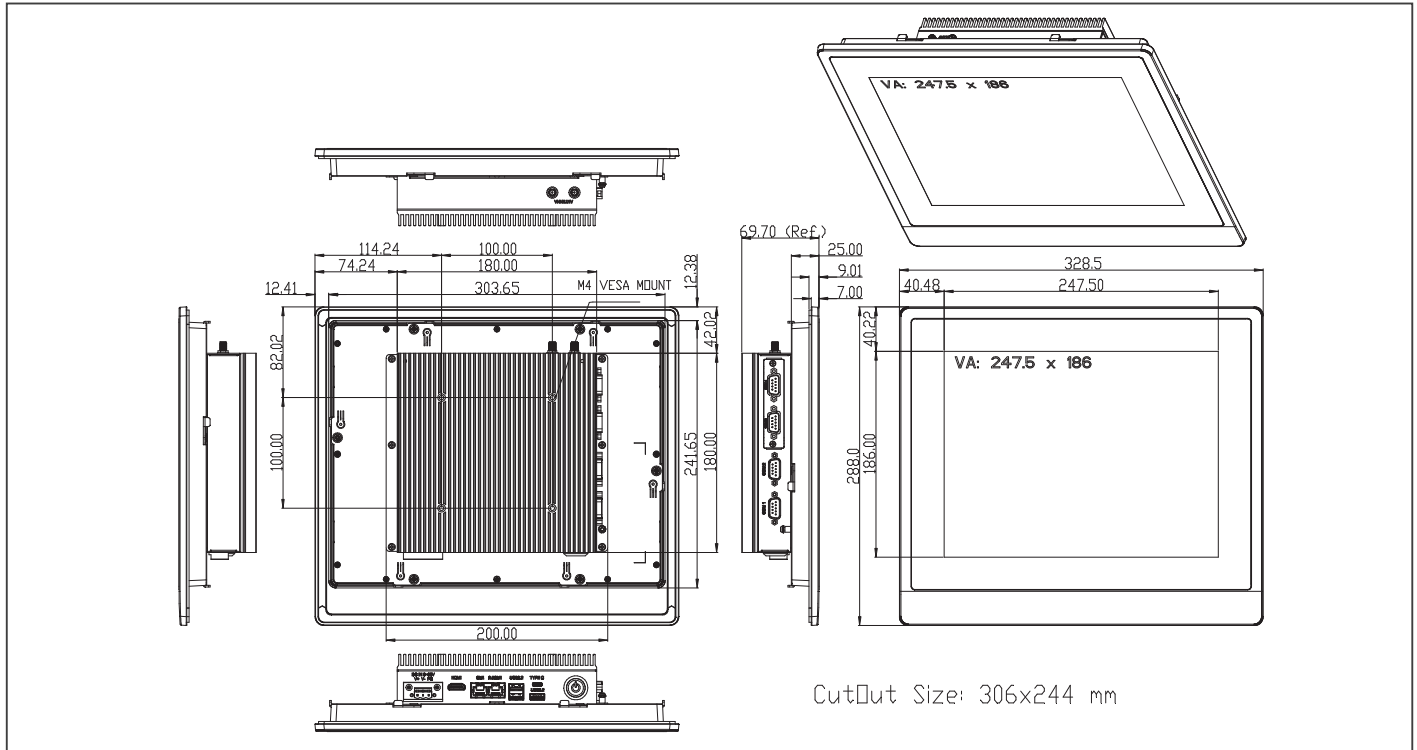
System	
Processor	12th Generation Intel® Core™/Celeron® Processors
System Memory	DDR5 4800 MHz, Dual Channel SODIMM x 2
LCD/CRT Controller	—
Ethernet	Intel® Ethernet Connection I219, 10/100/1000Base Intel® Ethernet Controller I226, 10/100/1000/2500Base
I/O Port	RJ-45 LAN x 2 USB 3.2 Gen 2 (Type-A) x 3 USB (Type-C) x 1 HDMI 2.0b x 1 DB-9 x 2 (RS-232/422/485)
Storage Disk Drive	2.5" HDD Bay for SATA 6Gb/s x 1 M.2 2280 M-Key x 1 (PCIe [x4] NVMe Storage)
Expansion Slot	M.2 3052 B-Key x 1 (BOM Optional: PCIe [x2], default: USB 3.2 Gen 2 + SATA) M.2 2230 E-Key x 1 (PCIe, USB 2.0)
OS support	Windows® 10 IoT Enterprise LTSC 2021 Windows® 10/11
Mechanical	
Construction	Aluminum Front Bezel + Metal Chassis
Mounting	VESA / Panel Mount
Dimension	12.9" x 11.3" x 2.7" (328.5mm x 288mm x 69.7mm)
Carton Dimension	20.9" x 17.5" x 7.9" (530mm x 445mm x 200mm)
Gross Weight	7.6 lb. (3.48Kg)
Environmental	
Operating Temperature	-4°F~-122°F (-20°C~-50°C) with airflow
Storage Temperature	-4°F~-140°F(-20°C~-60°C)
Storage Humidity	90% @40°C; non-condensing
Vibration	1Grms / 5~ 500Hz / operation
Shock	15 G peak acceleration (11 msec. duration)
EMC	CE/FCC Class A Compatible
Power Supply	
DC input	DC 9~30V
LCD	
Display Type	12.1" TFT-LCD, LED
Max Resolution	1024(H) x 768(V)
Max. Colors	16.2M colors
Luminance	500 cd/m ²
Viewing Angle	160° (H) ; 160° (V)
Back Light	LED
Back Light MTBF (Hours)	50,000 Hrs
Touchscreen	
Type	P-CAP/ 5-wire resistive
Light Transmission	P-CAP (90% ± 3%), 5-wire Resistive (80% ± 3%)





Dimension

Unit: mm



Ordering Information

Part Number	Display Type	Max Resolution	Luminance	View Angle	CPU	LAN	USB	RS-232/422/485	Storage	RAM	Display	Internal Expansion	Mounting	Power	Operating Temp.	Touch
OMNI-3125HTT-ADP-A1-1010	12.1" TFT LCD	1024 x 768	500 cd/m ²	160°(H) / 160°(V)	Intel® Celeron® Processor 7305E	2	USB 3.2 Gen2 (Type A) x3 USB 2.0 x1 (Type C)	2	2.5" SATA-III x1 M.2 2280 M-Key x1 (PCIe[x4] for NVMe Storage)	DDR5, up to 64GB	HDMI x1	M.2 3052 B Key x1 (Default: USB 3.2Gen 2 + SATA, PCIe[x2] optional by BOM) M.2 2230 E-Key x1 (PCIe, USB 2.0)	VESA / Panel Mount	DC 9~30V	-20°~50°C with air flow	Resistive Touch
OMNI-3125HTT-ADP-A2-1010	12.1" TFT LCD	1024 x 768	500 cd/m ²	160°(H) / 160°(V)	Intel® Core™ i3-1215UE	2	USB 3.2 Gen2 (Type A) x3 USB 2.0 x1 (Type C)	2	2.5" SATA-III x1 M.2 2280 M-Key x1 (PCIe[x4] for NVMe Storage)	DDR5, up to 64GB	HDMI x1	M.2 3052 B Key x1 (Default: USB 3.2Gen 2 + SATA, PCIe[x2] optional by BOM) M.2 2230 E-Key x1 (PCIe, USB 2.0)	VESA / Panel Mount	DC 9~30V	-20°~50°C with air flow	Resistive Touch
OMNI-3125HTT-ADP-A3-1010	12.1" TFT LCD	1024 x 768	500 cd/m ²	160°(H) / 160°(V)	Intel® Core™ i5-1245UE	2	USB 3.2 Gen2 (Type A) x3 USB 2.0 x1 (Type C)	2	2.5" SATA-III x1 M.2 2280 M-Key x1 (PCIe[x4] for NVMe Storage)	DDR5, up to 64GB	HDMI x1	M.2 3052 B Key x1 (Default: USB 3.2Gen 2 + SATA, PCIe[x2] optional by BOM) M.2 2230 E-Key x1 (PCIe, USB 2.0)	VESA / Panel Mount	DC 9~30V	-20°~50°C with air flow	Resistive Touch
OMNI-3125HTT-ADP-A5-1010	12.1" TFT LCD	1024 x 768	500 cd/m ²	160°(H) / 160°(V)	Intel® Celeron® Processor 7305E	2	USB 3.2 Gen2 (Type A) x3 USB 2.0 x1 (Type C)	2	2.5" SATA-III x1 M.2 2280 M-Key x1 (PCIe[x4] for NVMe Storage)	DDR5, up to 64GB	HDMI x1	M.2 3052 B Key x1 (Default: USB 3.2Gen 2 + SATA, PCIe[x2] optional by BOM) M.2 2230 E-Key x1 (PCIe, USB 2.0)	VESA / Panel Mount	DC 9~30V	-20°~50°C with air flow	Projective Touch
OMNI-3125HTT-ADP-A6-1010	12.1" TFT LCD	1024 x 768	500 cd/m ²	160°(H) / 160°(V)	Intel® Core™ i3-1215UE	2	USB 3.2 Gen2 (Type A) x3 USB 2.0 x1 (Type C)	2	2.5" SATA-III x1 M.2 2280 M-Key x1 (PCIe[x4] for NVMe Storage)	DDR5, up to 64GB	HDMI x1	M.2 3052 B Key x1 (Default: USB 3.2Gen 2 + SATA, PCIe[x2] optional by BOM) M.2 2230 E-Key x1 (PCIe, USB 2.0)	VESA / Panel Mount	DC 9~30V	-20°~50°C with air flow	Projective Touch
OMNI-3125HTT-ADP-A7-1010	12.1" TFT LCD	1024 x 768	500 cd/m ²	160°(H) / 160°(V)	Intel® Core™ i5-1245UE	2	USB 3.2 Gen2 (Type A) x3 USB 2.0 x1 (Type C)	2	2.5" SATA-III x1 M.2 2280 M-Key x1 (PCIe[x4] for NVMe Storage)	DDR5, up to 64GB	HDMI x1	M.2 3052 B Key x1 (Default: USB 3.2Gen 2 + SATA, PCIe[x2] optional by BOM) M.2 2230 E-Key x1 (PCIe, USB 2.0)	VESA / Panel Mount	DC 9~30V	-20°~50°C with air flow	Projective Touch

Packing List

- Phoenix Power Connector
- OMNI-3125-ADP
- Screws

Optional Accessories

- AP-0T9789LA1000
LA-100 LCD Monitor Stand
- 170X000799
Power Cord (US Type)
- 170X000800
Power Cord (European Type)
- 170X000803
Power Cord (Japanese Type)
- 1255X00059
19V 120W Power Adapter
- 9651MNAD02
USB 2.0 x 2 (Expansion I/O Module)
- 9651MNAD01
RS-232/422/485 x 2 (Expansion I/O Module)

15" Modular HMI Panel PC with 12th Generation Intel® Core™/Celeron® Processors

Front View

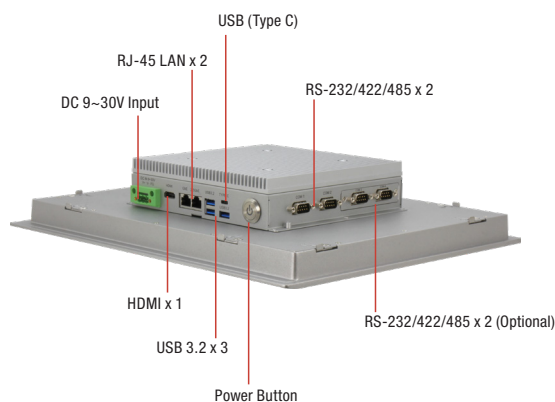


Top View



Antenna Hole x 2

Bottom View



Features

- 15" (1024 x 768) TFT LCD Display
- 12th Generation Intel® Core™/Celeron® Processors
- P-CAP or Resistive Touch Screen Support
- M.2 2280 M-Key x 1 (PCIe [x4] NVMe Storage)
- Aluminum Design
- IP65 Compliant Front Bezel
- Fanless Operation
- VESA Mount/ Built-in Panel Mount Bracket
- 9-30V DC in a wide range of input



Specifications

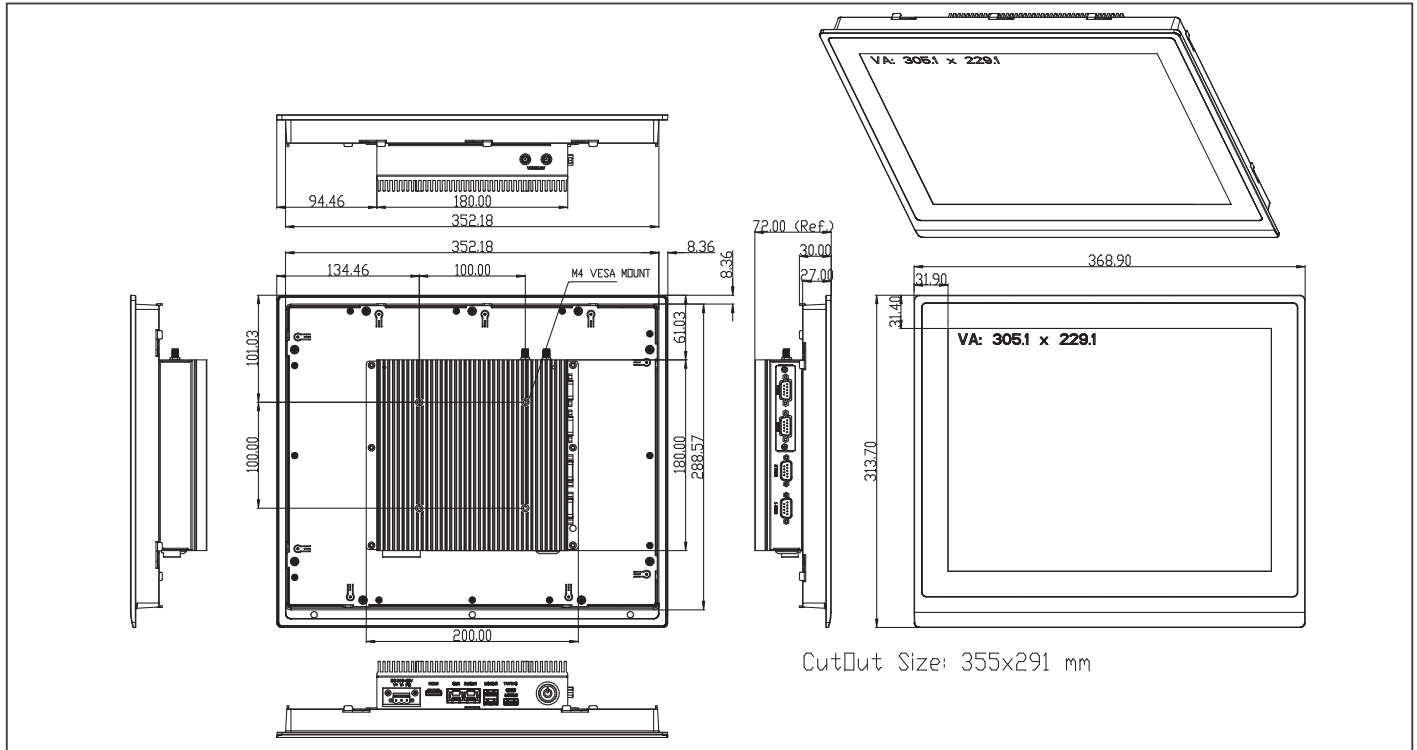
System	
Processor	12th Generation Intel® Core™/Celeron® Processors
System Memory	DDR5 4800 MHz, Dual Channel SODIMM x 2
LCD/CRT Controller	—
Ethernet	Intel® Ethernet Connection I219, 10/100/1000Base Intel® Ethernet Controller I226, 10/100/1000/2500Base
I/O Port	RJ-45 LAN x 2 USB 3.2 Gen 2 (Type-A) x 3 USB (Type-C) x 1 HDMI 2.0b x 1 DB-9 x 2 (RS-232/422/485)
Storage Disk Drive	2.5" HDD Bay for SATA 6Gb/s x 1 M.2 2280 M-Key x 1 (PCIe [x4] NVMe Storage)
Expansion Slot	M.2 3052 B-Key x 1 (BOM Optional: PCIe [x2], default: USB 3.2 Gen 2 + SATA) M.2 2230 E-Key x 1 (PCIe, USB 2.0)
OS support	Windows® 10 IoT Enterprise LTSC 2021 Windows® 10/11
Mechanical	
Construction	Aluminum Front Bezel + Metal Chassis
Mounting	VESA / Panel Mount
Dimension	14.52" x 12.35" x 2.83" (368.9mm x 313.7mm x 72mm)
Carton Dimension	20.1" x 18.1" x 9.8" (510mm x 460mm x 250mm)
Gross Weight	8.5 lb. (3.9Kg)
Environmental	
Operating Temperature	-4°F~122°F (-20°C~50°C) with airflow
Storage Temperature	-4°F~140°F(-20°C~60°C)
Storage Humidity	90% @40°C; non-condensing
Vibration	1Grms / 5~ 500Hz / operation
Shock	15 G peak acceleration (11 msec. duration)
EMC	CE/FCC Class A Compatible
Power Supply	
DC input	DC 9~30V
LCD	
Display Type	15" TFT-LCD, LED
Max Resolution	1024(H) x 768(V)
Max. Colors	16.2M (8 bit/color)
Luminance	300 cd/m ²
Viewing Angle	176° (H), 176° (V)
Back Light	LED
Back Light MTBF (Hours)	70,000
Touchscreen	
Type	P-CAP/ 5-wire resistive
Light Transmission	P-CAP (90% ± 2%), 5-wire Resistive (80% ± 2%)





Dimension

Unit: mm



Ordering Information

Part Number	Display Type	Max Resolution	Luminance	View Angle	CPU	LAN	USB	RS-232/422/485	Storage	RAM	Display	Internal Expansion	Mounting	Power	Operating Temp.	Touch
OMNI-3155HTT-ADP-A1-1010	15" TFT LCD	1024 x 768	300 cd/m ²	176°(H)/176°(V)	Intel® Celeron® Processor 7305E	2	USB 3.2 Gen2 (Type A) x3 USB 2.0 x1 (Type C)	2	2.5" SATA-III x1 M.2 2280 M-Key x1 (PCIe[x4] for NVMe Storage)	DDR5, up to 64GB	HDMI x1	M.2 3052 B Key x1 (Default: USB 3.2Gen 2 + SATA, PCIe[x2] optional by BOM) M.2 2230 E-Key x1 (PCIe, USB 2.0)	VESA / Panel Mount	DC 9~30V	-20°~50°C with air flow	Resistive Touch
OMNI-3155HTT-ADP-A2-1010	15" TFT LCD	1024 x 768	300 cd/m ²	176°(H)/176°(V)	Intel® Core™ i3-1215UE	2	USB 3.2 Gen2 (Type A) x3 USB 2.0 x1 (Type C)	2	2.5" SATA-III x1 M.2 2280 M-Key x1 (PCIe[x4] for NVMe Storage)	DDR5, up to 64GB	HDMI x1	M.2 3052 B Key x1 (Default: USB 3.2Gen 2 + SATA, PCIe[x2] optional by BOM) M.2 2230 E-Key x1 (PCIe, USB 2.0)	VESA / Panel Mount	DC 9~30V	-20°~50°C with air flow	Resistive Touch
OMNI-3155HTT-ADP-A3-1010	15" TFT LCD	1024 x 768	300 cd/m ²	176°(H)/176°(V)	Intel® Core™ i5-1245UE	2	USB 3.2 Gen2 (Type A) x3 USB 2.0 x1 (Type C)	2	2.5" SATA-III x1 M.2 2280 M-Key x1 (PCIe[x4] for NVMe Storage)	DDR5, up to 64GB	HDMI x1	M.2 3052 B Key x1 (Default: USB 3.2Gen 2 + SATA, PCIe[x2] optional by BOM) M.2 2230 E-Key x1 (PCIe, USB 2.0)	VESA / Panel Mount	DC 9~30V	-20°~50°C with air flow	Resistive Touch
OMNI-3155HTT-ADP-A5-1010	15" TFT LCD	1024 x 768	300 cd/m ²	176°(H)/176°(V)	Intel® Celeron® Processor 7305E	2	USB 3.2 Gen2 (Type A) x3 USB 2.0 x1 (Type C)	2	2.5" SATA-III x1 M.2 2280 M-Key x1 (PCIe[x4] for NVMe Storage)	DDR5, up to 64GB	HDMI x1	M.2 3052 B Key x1 (Default: USB 3.2Gen 2 + SATA, PCIe[x2] optional by BOM) M.2 2230 E-Key x1 (PCIe, USB 2.0)	VESA / Panel Mount	DC 9~30V	-20°~50°C with air flow	Projective Touch
OMNI-3155HTT-ADP-A6-1010	15" TFT LCD	1024 x 768	300 cd/m ²	176°(H)/176°(V)	Intel® Core™ i3-1215UE	2	USB 3.2 Gen2 (Type A) x3 USB 2.0 x1 (Type C)	2	2.5" SATA-III x1 M.2 2280 M-Key x1 (PCIe[x4] for NVMe Storage)	DDR5, up to 64GB	HDMI x1	M.2 3052 B Key x1 (Default: USB 3.2Gen 2 + SATA, PCIe[x2] optional by BOM) M.2 2230 E-Key x1 (PCIe, USB 2.0)	VESA / Panel Mount	DC 9~30V	-20°~50°C with air flow	Projective Touch
OMNI-3155HTT-ADP-A7-1010	15" TFT LCD	1024 x 768	300 cd/m ²	176°(H)/176°(V)	Intel® Core™ i5-1245UE	2	USB 3.2 Gen2 (Type A) x3 USB 2.0 x1 (Type C)	2	2.5" SATA-III x1 M.2 2280 M-Key x1 (PCIe[x4] for NVMe Storage)	DDR5, up to 64GB	HDMI x1	M.2 3052 B Key x1 (Default: USB 3.2Gen 2 + SATA, PCIe[x2] optional by BOM) M.2 2230 E-Key x1 (PCIe, USB 2.0)	VESA / Panel Mount	DC 9~30V	-20°~50°C with air flow	Projective Touch

Optional Accessories

- Phoenix Power Connector
- OMNI-3155-ADP
- Screws

Packing List

- AP-0T9789LA1000
LA-100 LCD Monitor Stand
- 170X000799
Power Cord (US Type)
- 170X000800
Power Cord (European Type)
- 170X000803
Power Cord (Japanese Type)
- 1255X00059
19V 120W Power Adapter
- 9651MNAD02
USB 2.0 x 2 (Expansion I/O Module)
- 9651MNAD01
RS-232/422/485 x 2 (Expansion I/O Module)

17" Modular HMI Panel PC with 12th Generation Intel® Core™/Celeron® Processors

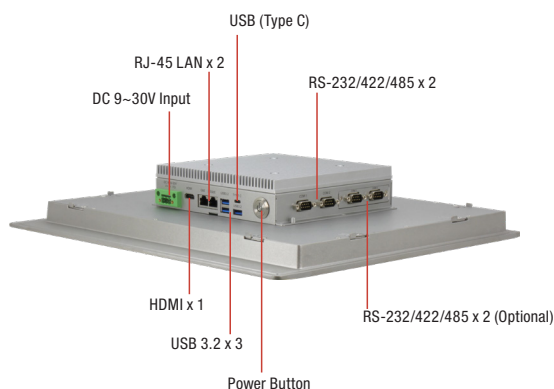
Front View



Top View



Bottom View



Features

- 17" (1280 x 1024) TFT LCD Display
- 12th Generation Intel® Core™/Celeron® Processors
- P-CAP or Resistive Touch Screen Support
- M.2 2280 M-Key x 1 (PCIe [x4] NVMe Storage)
- Aluminum Design
- IP65 Compliant Front Bezel
- Fanless Operation
- VESA Mount/ Built-in Panel Mount Bracket
- 9-30V DC in a wide range of input



Specifications

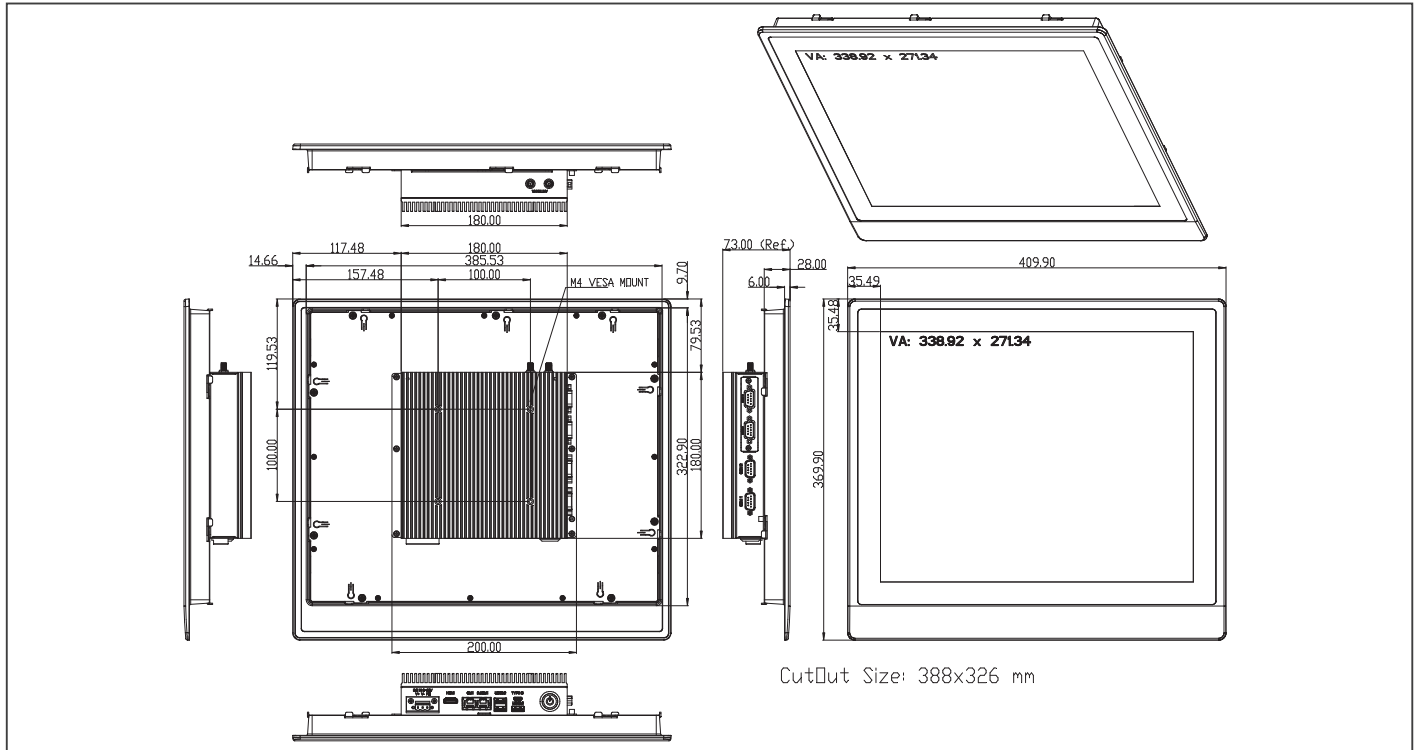
System	
Processor	12th Generation Intel® Core™/Celeron® Processors
System Memory	DDR5 4800 MHz, Dual Channel SODIMM x 2
LCD/CRT Controller	—
Ethernet	Intel® Ethernet Connection I219, 10/100/1000Base Intel® Ethernet Controller I226, 10/100/1000/2500Base
I/O Port	RJ-45 LAN x 2 USB 3.2 Gen 2 (Type-A) x 3 USB (Type-C) x 1 HDMI 2.0b x 1 DB-9 x 2 (RS-232/422/485)
Storage Disk Drive	2.5" HDD Bay for SATA 6Gb/s x 1 M.2 2280 M-Key x 1 (PCIe [x4] NVMe Storage)
Expansion Slot	M.2 3052 B-Key x 1 (BOM Optional: PCIe [x2], default: USB 3.2 Gen 2 + SATA) M.2 2230 E-Key x 1 (PCIe, USB 2.0)
OS support	Windows® 10 IoT Enterprise LTSC 2021 Windows® 10/11
Mechanical	
Construction	Aluminum Front Bezel + Metal Chassis
Mounting	VESA / Panel Mount
Dimension	16.14" x 14.56" x 2.87" (409.9mm x 369.9mm x 73mm)
Carton Dimension	20.1" x 18.1" x 9.8" (510mm x 460mm x 250mm)
Gross Weight	12.4 lb. (5.63Kg)
Environmental	
Operating Temperature	-4°F~122°F (-20°C~50°C) with airflow
Storage Temperature	-4°F~140°F(-20°C~60°C)
Storage Humidity	90% @40°C; non-condensing
Vibration	1Grms / 5~ 500Hz / operation
Shock	15 G peak acceleration (11 msec. duration)
EMC	CE/FCC Class A Compatible
Power Supply	
DC input	DC 9~30V
LCD	
Display Type	17" TFT-LCD, LED
Max Resolution	1280(H) x 1024(V)
Max. Colors	16.7M colors (RGB 6-bits + Hi-FRC data)
Luminance	350 cd/m ²
Viewing Angle	170° (H), 160° (V)
Back Light	LED
Back Light MTBF (Hours)	50,000
Touchscreen	
Type	P-CAP/ 5-wire resistive
Light Transmission	P-CAP (90% ± 3%), 5-wire Resistive (80% ± 3%)





Dimension

Unit: mm



Ordering Information

Part Number	Display Type	Max Resolution	Luminance	View Angle	CPU	LAN	USB	RS-232/422/485	Storage	RAM	Display	Internal Expansion	Mounting	Power	Operating Temp.	Touch
OMNI-3175HTT-ADP-A1-1010	17" TFT LCD	1280 x 1024	350 cd/m ²	170°(H)/160°(V)	Intel® Celeron® Processor 7305E	2	USB 3.2 Gen2 (Type A) x3 USB 2.0 x1 (Type C)	2	2.5" SATA-III x1 M.2 2280 M-Key x1 (PCIe[x4] for NVMe Storage)	DDR5, up to 64GB	HDMI x1	M.2 3052 B Key x1 (Default: USB 3.2Gen 2 + SATA, PCIe[x2] optional by BOM) M.2 2230 E-Key x1 (PCIe, USB 2.0)	VESA / Panel Mount	DC 9~30V	-20o~50oC with air flow	Resistive Touch
OMNI-3175HTT-ADP-A2-1010	17" TFT LCD	1280 x 1024	350 cd/m ²	170°(H)/160°(V)	Intel® Core™ i3-1215UE	2	USB 3.2 Gen2 (Type A) x3 USB 2.0 x1 (Type C)	2	2.5" SATA-III x1 M.2 2280 M-Key x1 (PCIe[x4] for NVMe Storage)	DDR5, up to 64GB	HDMI x1	M.2 3052 B Key x1 (Default: USB 3.2Gen 2 + SATA, PCIe[x2] optional by BOM) M.2 2230 E-Key x1 (PCIe, USB 2.0)	VESA / Panel Mount	DC 9~30V	-20o~50oC with air flow	Resistive Touch
OMNI-3175HTT-ADP-A3-1010	17" TFT LCD	1280 x 1024	350 cd/m ²	170°(H)/160°(V)	Intel® Core™ i5-1245UE	2	USB 3.2 Gen2 (Type A) x3 USB 2.0 x1 (Type C)	2	2.5" SATA-III x1 M.2 2280 M-Key x1 (PCIe[x4] for NVMe Storage)	DDR5, up to 64GB	HDMI x1	M.2 3052 B Key x1 (Default: USB 3.2Gen 2 + SATA, PCIe[x2] optional by BOM) M.2 2230 E-Key x1 (PCIe, USB 2.0)	VESA / Panel Mount	DC 9~30V	-20o~50oC with air flow	Resistive Touch
OMNI-3175HTT-ADP-A5-1010	17" TFT LCD	1280 x 1024	350 cd/m ²	170°(H)/160°(V)	Intel® Celeron® Processor 7305E	2	USB 3.2 Gen2 (Type A) x3 USB 2.0 x1 (Type C)	2	2.5" SATA-III x1 M.2 2280 M-Key x1 (PCIe[x4] for NVMe Storage)	DDR5, up to 64GB	HDMI x1	M.2 3052 B Key x1 (Default: USB 3.2Gen 2 + SATA, PCIe[x2] optional by BOM) M.2 2230 E-Key x1 (PCIe, USB 2.0)	VESA / Panel Mount	DC 9~30V	-20o~50oC with air flow	Projective Touch
OMNI-3175HTT-ADP-A6-1010	17" TFT LCD	1280 x 1024	350 cd/m ²	170°(H)/160°(V)	Intel® Core™ i3-1215UE	2	USB 3.2 Gen2 (Type A) x3 USB 2.0 x1 (Type C)	2	2.5" SATA-III x1 M.2 2280 M-Key x1 (PCIe[x4] for NVMe Storage)	DDR5, up to 64GB	HDMI x1	M.2 3052 B Key x1 (Default: USB 3.2Gen 2 + SATA, PCIe[x2] optional by BOM) M.2 2230 E-Key x1 (PCIe, USB 2.0)	VESA / Panel Mount	DC 9~30V	-20o~50oC with air flow	Projective Touch
OMNI-3175HTT-ADP-A7-1010	17" TFT LCD	1280 x 1024	350 cd/m ²	170°(H)/160°(V)	Intel® Core™ i5-1245UE	2	USB 3.2 Gen2 (Type A) x3 USB 2.0 x1 (Type C)	2	2.5" SATA-III x1 M.2 2280 M-Key x1 (PCIe[x4] for NVMe Storage)	DDR5, up to 64GB	HDMI x1	M.2 3052 B Key x1 (Default: USB 3.2Gen 2 + SATA, PCIe[x2] optional by BOM) M.2 2230 E-Key x1 (PCIe, USB 2.0)	VESA / Panel Mount	DC 9~30V	-20o~50oC with air flow	Projective Touch

Packing List

- Phoenix Power Connector
- OMNI-3175-ADP
- Screws

Optional Accessories

- AP-OT9789LA1000
LA-100 LCD Monitor Stand
- 170X000799
Power Cord (US Type)
- 170X000800
Power Cord (European Type)
- 170X000803
Power Cord (Japanese Type)
- 1255X00059
19V 120W Power Adapter
- 9651MNAD02
USB 2.0 x 2 (Expansion I/O Module)
- 9651MNAD01
RS-232/422/485 x 2 (Expansion I/O Module)

19" Modular HMI Panel PC with 12th Generation Intel® Core™/Celeron® Processors

Front View

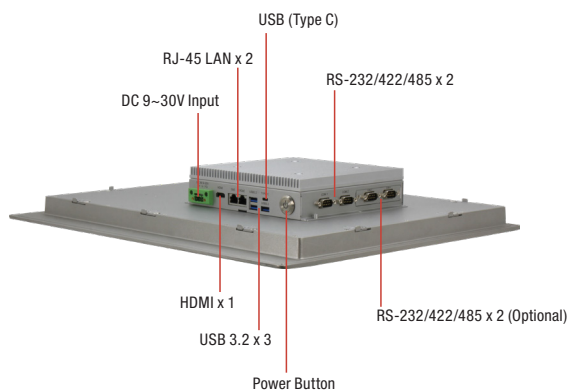


Top View



Antenna Hole x 2

Bottom View



Features

- 19" (1280 x 1024) TFT LCD Display
- 12th Generation Intel® Core™/Celeron® Processors
- P-CAP or Resistive Touch Screen Support
- M.2 2280 M-Key x 1 (PCIe [x4] NVMe Storage)
- Aluminum Design
- IP65 Compliant Front Bezel
- Fanless Operation
- VESA Mount/ Built-in Panel Mount Bracket
- 9 - 30V DC in a wide range of input



Specifications

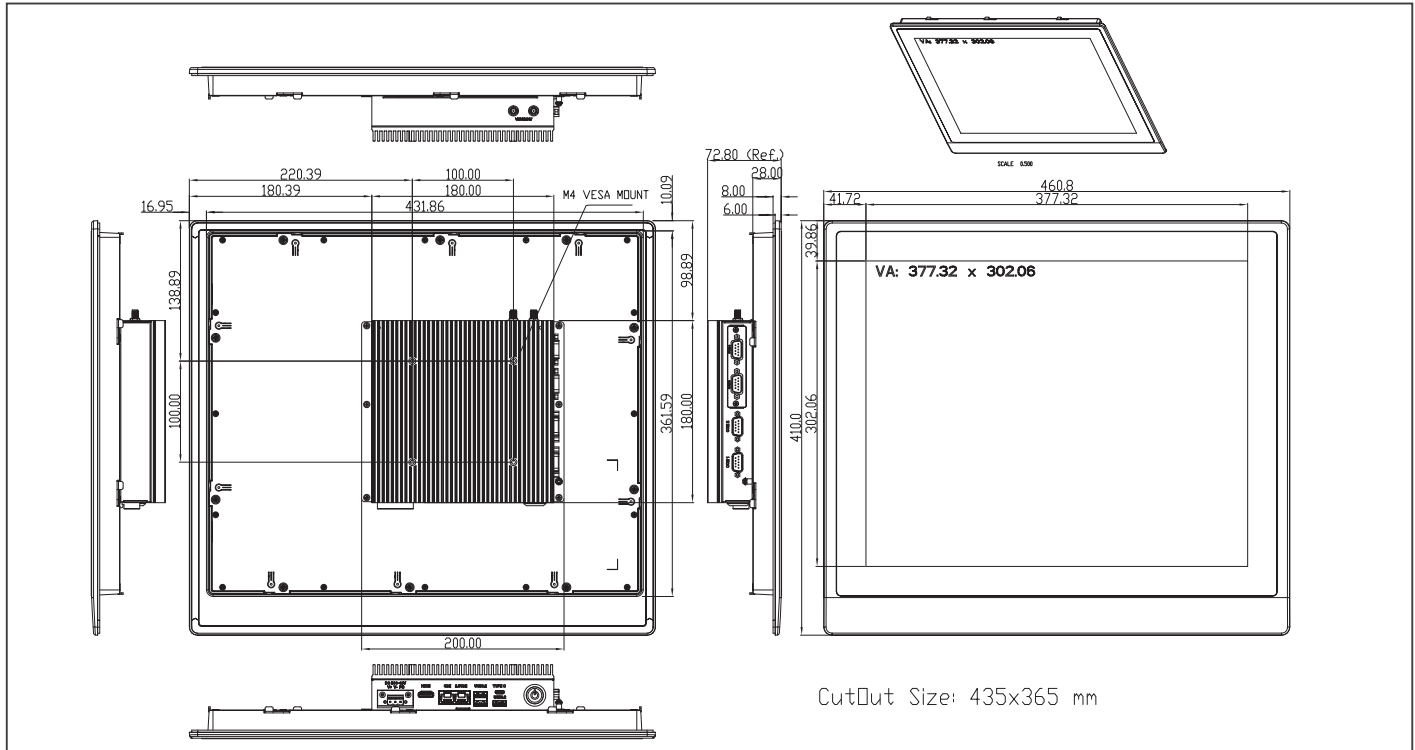
System	
Processor	12th Generation Intel® Core™/Celeron® Processors
System Memory	DDR5 4800 MHz, Dual Channel SODIMM x 2
LCD/CRT Controller	—
Ethernet	Intel® Ethernet Connection I219, 10/100/1000Base Intel® Ethernet Controller I226, 10/100/1000/2500Base
I/O Port	RJ-45 LAN x 2 USB 3.2 Gen 2 (Type-A) x 3 USB (Type-C) x 1 HDMI 2.0b x 1 DB-9 x 2 (RS-232/422/485)
Storage Disk Drive	2.5" HDD Bay for SATA 6Gb/s x 1 M.2 2280 M-Key x 1 (PCIe [x4] NVMe Storage)
Expansion Slot	M.2 3052 B-Key x 1 (BOM Optional: PCIe [x2], default: USB 3.2 Gen 2 + SATA) M.2 2230 E-Key x 1 (PCIe, USB 2.0)
OS support	Windows® 10 IoT Enterprise LTSC 2021 Windows® 10/11
Mechanical	
Construction	Aluminum Front Bezel + Metal Chassis
Mounting	VESA / Panel Mount
Dimension	18.15" x 16.14" x 2.87" (460.8mm x 410mm x 72.8mm)
Carton Dimension	26.02" x 19.53" x 8.11" (661mm x 496mm x 206mm)
Gross Weight	13.9 lb. (6.34Kg)
Environmental	
Operating Temperature	-4°F~-122°F (-20°C~50°C) with airflow
Storage Temperature	-4°F~-140°F(-20°C~60°C)
Storage Humidity	90% @40°C; non-condensing
Vibration	1Grms / 5~ 500Hz / operation
Shock	15 G peak acceleration (11 msec. duration)
EMC	CE/FCC Class A Compatible
Power Supply	
DC input	DC 9~30V
LCD	
Display Type	19" TFT-LCD, LED
Max Resolution	1280(H) x 1024(V)
Max. Colors	16.7M colors
Luminance	350 cd/m ²
Viewing Angle	170° (H), 160° (V)
Back Light	LED
Back Light MTBF (Hours)	50,000
Touchscreen	
Type	P-CAP/ 5-wire resistive
Light Transmission	P-CAP (90% ± 3%), 5-wire Resistive (80% ± 3%)





Dimension

Unit: mm



Ordering Information

Part Number	Display Type	Max Resolution	Luminance	View Angle	CPU	LAN	USB	RS-232/422/485	Storage	RAM	Display	Internal Expansion	Mounting	Power	Operating Temp.	Touch
OMNI-3195HTT-ADP-A1-1010	19" TFT LCD	1280 x 1024	350 cd/m2	170o (H) / 160o(V)	Intel® Celeron® Processor 7305E	2	USB 3.2 Gen2 (Type A) x3 USB 2.0 x1 (Type C)	2	2.5" SATA-III x1 M.2 2280 M-Key x1 (PCIe[x4] for NVMe Storage)	DDR5, up to 64GB	HDMI x1	M.2 3052 B Key x1 (Default: USB 3.2Gen 2 + SATA, PCIe[x2] optional by BOM) M.2 2230 E-Key x1 (PCIe, USB 2.0)	VESA / Panel Mount	DC 9~30V	-20o~50oC with air flow	Resistive Touch
OMNI-3195HTT-ADP-A2-1010	19" TFT LCD	1280 x 1024	350 cd/m2	170o (H) / 160o(V)	Intel® Core™ i3-1215UE	2	USB 3.2 Gen2 (Type A) x3 USB 2.0 x1 (Type C)	2	2.5" SATA-III x1 M.2 2280 M-Key x1 (PCIe[x4] for NVMe Storage)	DDR5, up to 64GB	HDMI x1	M.2 3052 B Key x1 (Default: USB 3.2Gen 2 + SATA, PCIe[x2] optional by BOM) M.2 2230 E-Key x1 (PCIe, USB 2.0)	VESA / Panel Mount	DC 9~30V	-20o~50oC with air flow	Resistive Touch
OMNI-3195HTT-ADP-A3-1010	19" TFT LCD	1280 x 1024	350 cd/m2	170o (H) / 160o(V)	Intel® Core™ i5-1245UE	2	USB 3.2 Gen2 (Type A) x3 USB 2.0 x1 (Type C)	2	2.5" SATA-III x1 M.2 2280 M-Key x1 (PCIe[x4] for NVMe Storage)	DDR5, up to 64GB	HDMI x1	M.2 3052 B Key x1 (Default: USB 3.2Gen 2 + SATA, PCIe[x2] optional by BOM) M.2 2230 E-Key x1 (PCIe, USB 2.0)	VESA / Panel Mount	DC 9~30V	-20o~50oC with air flow	Resistive Touch
OMNI-3195HTT-ADP-A5-1010	19" TFT LCD	1280 x 1024	350 cd/m2	170o (H) / 160o(V)	Intel® Celeron® Processor 7305E	2	USB 3.2 Gen2 (Type A) x3 USB 2.0 x1 (Type C)	2	2.5" SATA-III x1 M.2 2280 M-Key x1 (PCIe[x4] for NVMe Storage)	DDR5, up to 64GB	HDMI x1	M.2 3052 B Key x1 (Default: USB 3.2Gen 2 + SATA, PCIe[x2] optional by BOM) M.2 2230 E-Key x1 (PCIe, USB 2.0)	VESA / Panel Mount	DC 9~30V	-20o~50oC with air flow	Projective Touch
OMNI-3195HTT-ADP-A6-1010	19" TFT LCD	1280 x 1024	350 cd/m2	170o (H) / 160o(V)	Intel® Core™ i3-1215UE	2	USB 3.2 Gen2 (Type A) x3 USB 2.0 x1 (Type C)	2	2.5" SATA-III x1 M.2 2280 M-Key x1 (PCIe[x4] for NVMe Storage)	DDR5, up to 64GB	HDMI x1	M.2 3052 B Key x1 (Default: USB 3.2Gen 2 + SATA, PCIe[x2] optional by BOM) M.2 2230 E-Key x1 (PCIe, USB 2.0)	VESA / Panel Mount	DC 9~30V	-20o~50oC with air flow	Projective Touch
OMNI-3195HTT-ADP-A7-1010	19" TFT LCD	1280 x 1024	350 cd/m2	170o (H) / 160o(V)	Intel® Core™ i5-1245UE	2	USB 3.2 Gen2 (Type A) x3 USB 2.0 x1 (Type C)	2	2.5" SATA-III x1 M.2 2280 M-Key x1 (PCIe[x4] for NVMe Storage)	DDR5, up to 64GB	HDMI x1	M.2 3052 B Key x1 (Default: USB 3.2Gen 2 + SATA, PCIe[x2] optional by BOM) M.2 2230 E-Key x1 (PCIe, USB 2.0)	VESA / Panel Mount	DC 9~30V	-20o~50oC with air flow	Projective Touch

Packing List

- Phoenix Power Connector
- OMNI-3195-ADP
- Screws

Optional Accessories

- AP-OT9789LA1000
LA-100 LCD Monitor Stand
- 170X000799
Power Cord (US Type)
- 170X000800
Power Cord (European Type)
- 170X000803
Power Cord (Japanese Type)
- 1255X00059
19V 120W Power Adapter
- 9651MNAD02
USB 2.0 x 2 (Expansion I/O Module)
- 9651MNAD01
RS-232/422/485 x 2 (Expansion I/O Module)

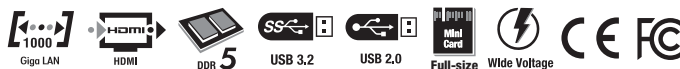


15.6" Modular HMI Panel PC With Intel® Processor N-series Processors



Features

- 15.6" (1366 x 768) TFT LCD Display
- Intel® Processor N-series Processors
- Projected Capacitive Multi Touch
- Aluminum Design
- IP65 Compliant Front Bezel
- Fanless Operation
- VESA Mount/Built-in Panel Mount Bracket
- 9-30V DC in a wide range of input



Specifications

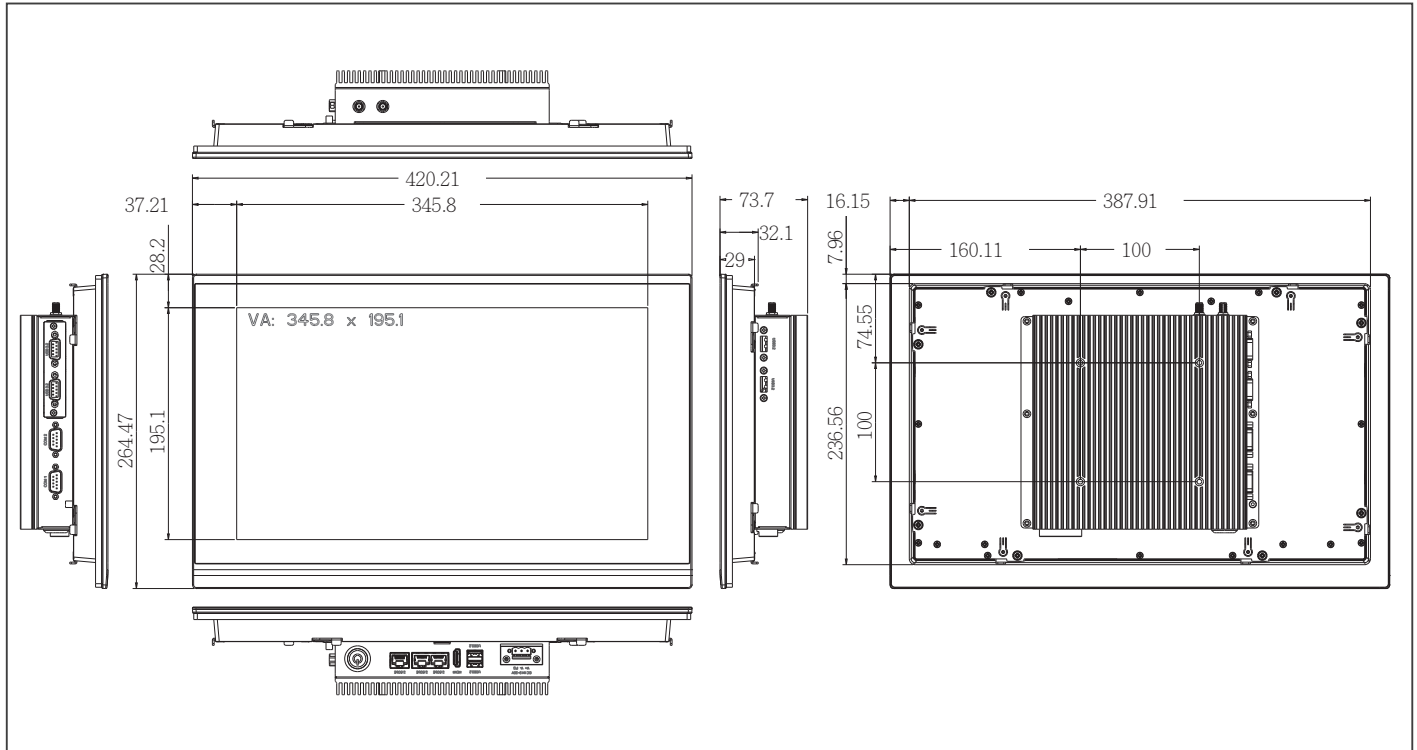
System	
Processor	Intel® Processor N50 Intel® Processor N97
System Memory	DDR5 4800 MHz, up to 16GB SODIMM x 1
LCD/CRT Controller	CPU Integrated
Ethernet	Intel® i226 GbE Ethernet x3
I/O Port	USB 3.2 x 2 USB 2.0 x 2 via Cables DB-9 RS-232/422/485 x 2 (Set By BIOS) HDMI 1.4b x 1 RJ-45 Type 2.5G x 3 DC 9~30V 3-pin Terminal Block Connector Power on/off switch x1 with LED Light
Storage Disk Drive	SATA-III x1 (6 Gb/s, for 2.5" SATA drive bay) Full Size mPCIe (Support PCIe(x1) / SATA)
Expansion Slot	M.2 B-Key 3052 x1 with Nano SIM M.2 E-Key 2230 x1
OS support	Windows® 10 IoT Enterprise LTSC 2021 Windows® 10/11
Mechanical	
Construction	Aluminum Front Bezel + Metal Chassis
Mounting	Panel Mount/VESA Mount (VESA 100)
Dimension	TBD
Carton Dimension	TBD
Gross Weight	TBD
Environmental	
Operating Temperature	-4°F~-122°F (-20°C~50°C) with airflow
Storage Temperature	-4°F~-140°F (-20°C~60°C)
Storage Humidity	90% @40°C; non-condensing
Vibration	1Grms/5~500Hz/ operation - with mSATA
Shock	15 G peak acceleration (11 m sec. duration) with mSATA
EMC	CE/FCC Class A Compatible
Power Supply	
DC input	DC 9~30V
LCD	
Display Type	15.6" TFT-LCD, LED
Max Resolution	1366 (H) x 768 (V)
Max. Colors	16.7M (8 bit/color)
Luminance	400 cd/m ²
Viewing Angle	170° (H) ; 130° (V)
Back Light	LED
Back Light MTBF (Hours)	50000
Touchscreen	
Type	Projected Capacitive Multi-Touch
Light Transmission	90%





Dimension

Unit: mm



Ordering Information

- TBD

Optional Accessories

- TBD

Packing List

- TBD

Front View



Features

- 21.5" (1920 x 1080) TFT LCD Display
- Intel® Processor N-series Processors
- Projected Capacitive Multi Touch
- Aluminum Design
- IP65 Compliant Front Bezel
- Fanless Operation
- VESA Mount/Built-in Panel Mount Bracket
- 9-30V DC in a wide range of input



Specifications

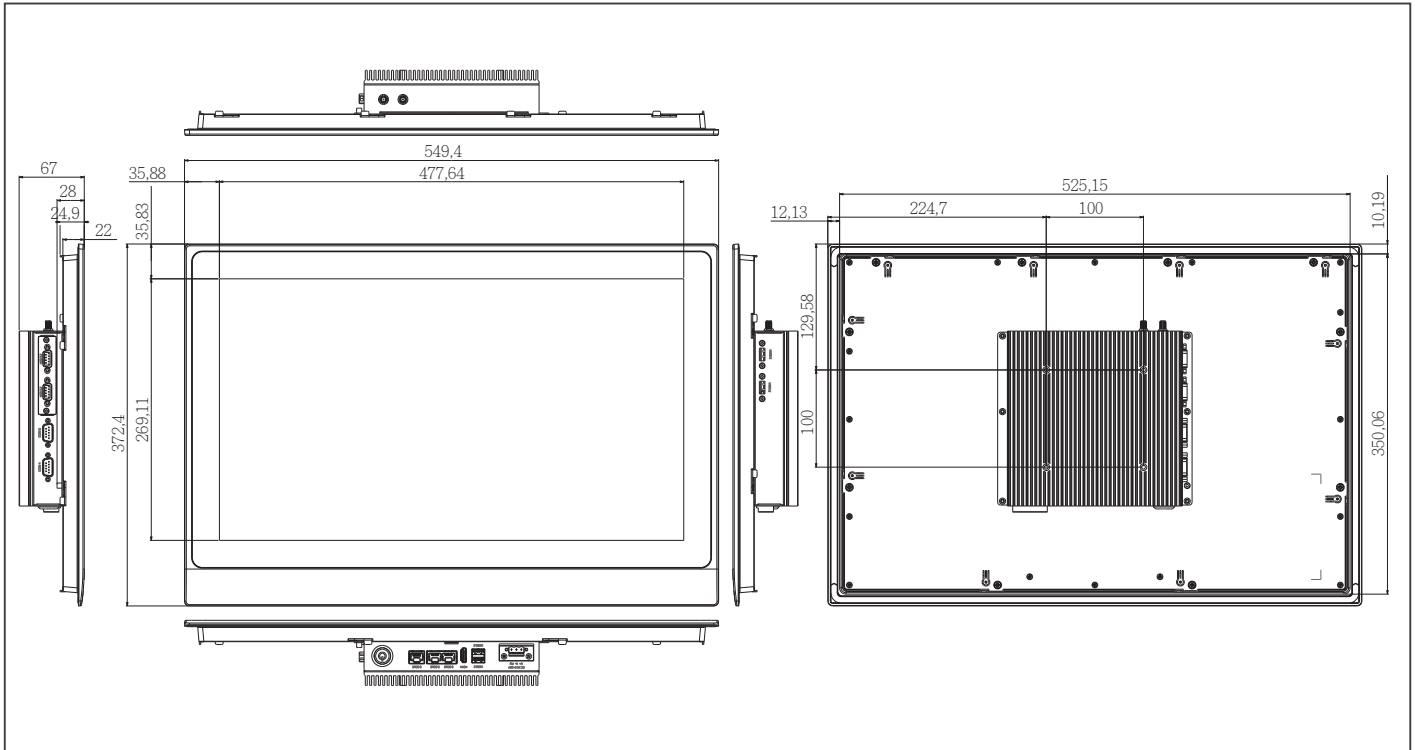
System	
Processor	Intel® Processor N50 Intel® Processor N97
System Memory	DDR5 4800 MHz, up to 16GB SODIMM x 1
LCD/CRT Controller	CPU Integrated
Ethernet	Intel® i226 GbE Ethernet x3
I/O Port	USB 3.2 x 2 USB 2.0 x 2 via Cables DB-9 RS-232/422/485 x 2 (Set By BIOS) HDMI 1.4b x 1 RJ-45 Type 2.5G x 3 DC 9~30V 3-pin Terminal Block Connector Power on/off switch x1 with LED Light
Storage Disk Drive	SATA-III x1 (6 Gb/s, for 2.5" SATA drive bay) Full Size mPCIe (Support PCIe(x1) / SATA)
Expansion Slot	M.2 B-Key 3052 x1 with Nano SIM M.2 E-Key 2230 x1
OS support	Windows® 10 IoT Enterprise LTSC 2021 Windows® 10/11
Mechanical	
Construction	Aluminum Front Bezel + Metal Chassis
Mounting	Panel Mount/VESA Mount (VESA 100)
Dimension	TBD
Carton Dimension	TBD
Gross Weight	TBD
Environmental	
Operating Temperature	-4°F~-122°F (-20°C~-50°C) with airflow
Storage Temperature	-4°F~-140°F (-20°C~-60°C)
Storage Humidity	90% @40°C; non-condensing
Vibration	1Grms/5~500Hz/ operation - with mSATA
Shock	15 G peak acceleration (11 m sec. duration) with mSATA
EMC	CE/FCC Class A Compatible
Power Supply	
DC input	DC 9~30V
LCD	
Display Type	21.5" TFT-LCD, LED
Max Resolution	1920 (H) x 1080 (V)
Max. Colors	16.7M
Luminance	250 cd/m ²
Viewing Angle	178° (H) ; 178° (V)
Back Light	LED
Back Light MTBF (Hours)	50000
Touchscreen	
Type	Projected Capacitive Multi-Touch
Light Transmission	90%





Dimension

Unit: mm



Ordering Information

- TBD

Optional Accessories

- TBD

Packing List

- TBD



10.4" Modular HMI Panel PC With Intel® Processor N-series Processors

Front View



Features

- 10.4" (1024 x 768) TFT LCD Display
- Intel® Processor N-series Processors
- Projected Capacitive Multi Touch
- Aluminum Design
- IP65 Compliant Front Bezel
- Fanless Operation
- VESA Mount/Built-in Panel Mount Bracket
- 9-30V DC in a wide range of input



Specifications

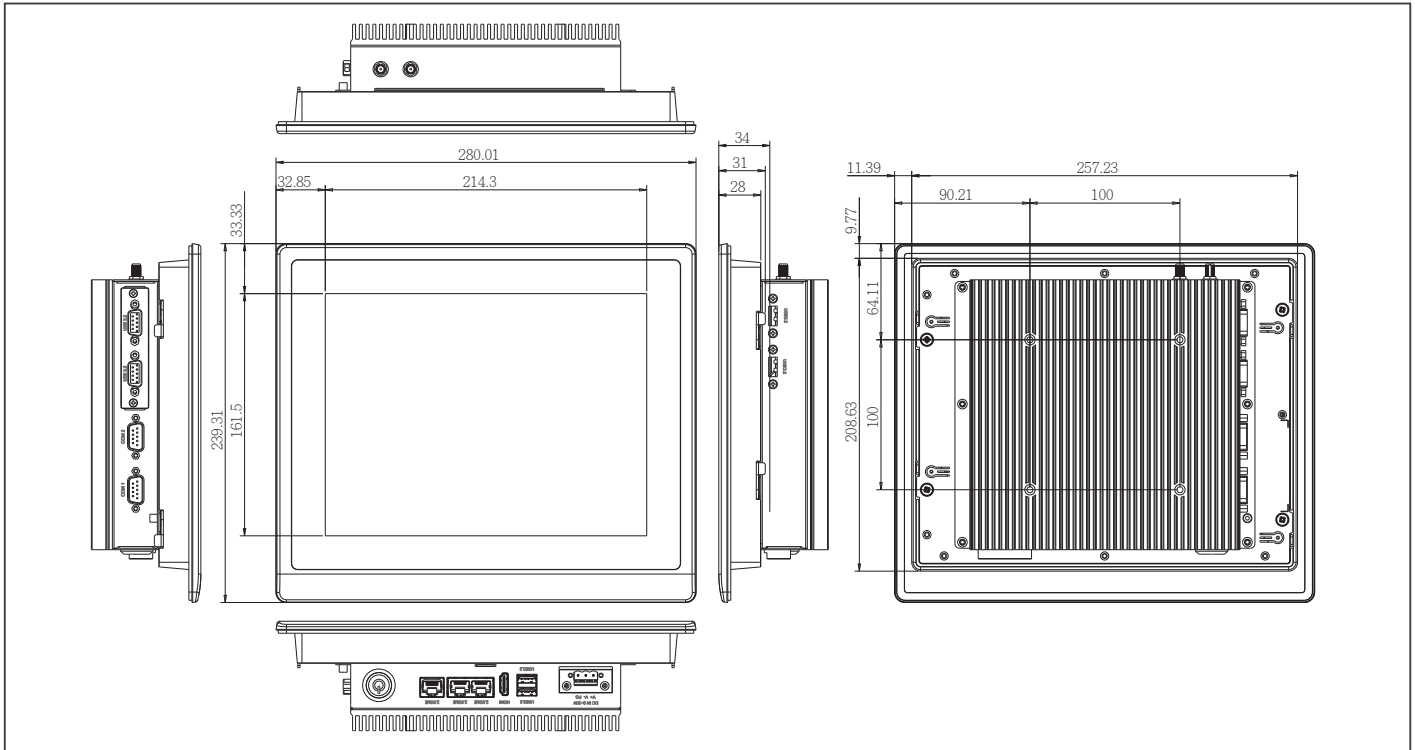
System	
Processor	Intel® Processor N50 Intel® Processor N97
System Memory	DDR5 4800 MHz, up to 16GB SODIMM x 1
LCD/CRT Controller	CPU Integrated
Ethernet	Intel® i226 GbE Ethernet x3
I/O Port	USB 3.2 x 2 USB 2.0 x 2 via Cables DB-9 RS-232/422/485 x 2 (Set By BIOS) HDMI 1.4b x 1 RJ-45 Type 2.5G x 3 DC 9-30V 3-pin Terminal Block Connector Power on/off switch x1 with LED Light
Storage Disk Drive	SATA-III x1 (6 Gb/s, for 2.5" SATA drive bay) Full Size mPCIe (Support PCIe(x1) / SATA)
Expansion Slot	M.2 B-Key 3052 x1 with Nano SIM M.2 E-Key 2230 x1
OS support	Windows® 10 IoT Enterprise LTSC 2021 Windows® 10/11
Mechanical	
Construction	Aluminum Front Bezel + Metal Chassis
Mounting	Panel Mount/VESA Mount (VESA 100)
Dimension	TBD
Carton Dimension	TBD
Gross Weight	TBD
Environmental	
Operating Temperature	-4°F~-122°F (-20°C~50°C) with airflow
Storage Temperature	-4°F~-140°F (-20°C~60°C)
Storage Humidity	90% @40°C; non-condensing
Vibration	1Grms/5-500Hz/operation - with mSATA
Shock	15 G peak acceleration (11 m sec. duration) with mSATA
EMC	CE/FCC Class A Compatible
Power Supply	
DC input	DC 9-30V
LCD	
Display Type	10.4" TFT LCD, LED
Max Resolution	1024 (H) x 768 (V)
Max. Colors	16.7M
Luminance	500 cd/m²
Viewing Angle	176° (H) x 176° (V)
Back Light	LED
Back Light MTBF (Hours)	50000
Touchscreen	
Type	Projected Capacitive Multi-Touch
Light Transmission	90%





Dimension

Unit: mm



Ordering Information

- TBD

Optional Accessories

- TBD

Packing List

- TBD

OMNI-3155-ADN



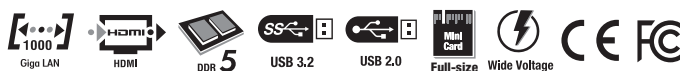
15" Modular HMI Panel PC With Intel® Processor N-series Processors

Front View



Features

- 15" (1024 x 768) TFT LCD Display
- Intel® Processor N-series Processors
- Projected Capacitive Multi Touch
- Aluminum Design
- IP65 Compliant Front Bezel
- Fanless Operation
- VESA Mount/Built-in Panel Mount Bracket
- 9-30V DC in a wide range of input



Specifications

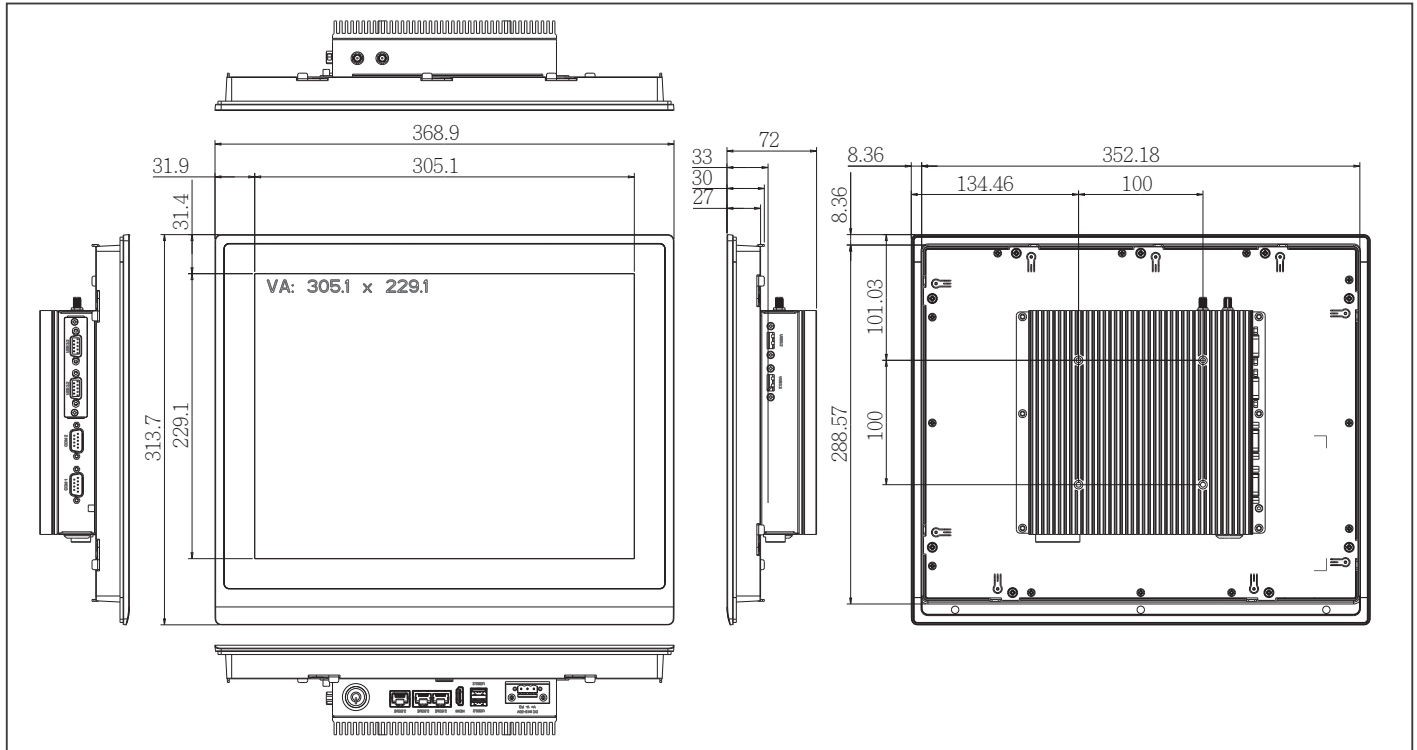
System	
Processor	Intel® Processor N50 Intel® Processor N97
System Memory	DDR5 4800 MHz, up to 16GB SODIMM x 1
LCD/CRT Controller	CPU Integrated
Ethernet	Intel® i226 GbE Ethernet x3
I/O Port	USB 3.2 x 2 USB 2.0 x 2 via Cables DB-9 RS-232/422/485 x 2 (Set By BIOS) HDMI 1.4b x 1 RJ-45 Type 2.5G x 3 DC 9-30V 3-pin Terminal Block Connector Power on/off switch x1 with LED Light
Storage Disk Drive	SATA-III x1 (6 Gb/s, for 2.5" SATA drive bay) Full Size mPCIe (Support PCIe(x1) / SATA)
Expansion Slot	M.2 B-Key 3052 x1 with Nano SIM M.2 E-Key 2230 x1
OS support	Windows® 10 IoT Enterprise LTSC 2021 Windows® 10/11
Mechanical	
Construction	Aluminum Front Bezel + Metal Chassis
Mounting	Panel Mount/VESA Mount (VESA 100)
Dimension	TBD
Carton Dimension	TBD
Gross Weight	TBD
Environmental	
Operating Temperature	-4°F~-122°F (-20°C~-50°C) with airflow
Storage Temperature	-4°F~-140°F (-20°C~-60°C)
Storage Humidity	90% @40°C; non-condensing
Vibration	1Grms/5-500Hz/ operation - with mSATA
Shock	15 G peak acceleration (11 m sec. duration) with mSATA
EMC	CE/FCC Class A Compatible
Power Supply	
DC input	DC 9-30V
LCD	
Display Type	15" TFT-LCD, LED
Max Resolution	1024 (H) x 768 (V)
Max. Colors	16.2M (8 bit/color)
Luminance	300 cd/m²
Viewing Angle	176° (H) x 176° (V)
Back Light	LED
Back Light MTBF (Hours)	70000
Touchscreen	
Type	Projected Capacitive Multi-Touch
Light Transmission	90%





Dimension

Unit: mm



Ordering Information

- TBD

Optional Accessories

- TBD

Packing List

- TBD

07

07

OMNI Series: Modular Display Solutions



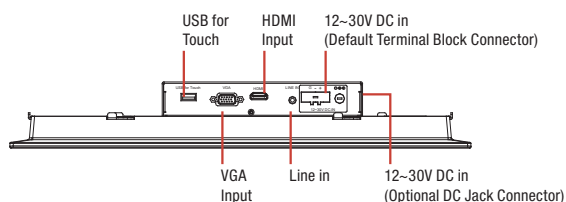
ES France - Mobilité & Systèmes Embarqués
127 rue de Buzenval BP 26 - 92380 Garches



Tél. 01 47 95 99 80
Fax. 01 47 01 16 22



e-mail : mse@es-france.com
Site Web : www.es-france.com



Features

- 15.6" WXGA (1366 x 768) TFT LCD Display
- Provide Projective Capacitive Touch or Resistive Touch Screen
- IP65 Aluminum Front Bezel
- DC 12~30V with Over Voltage/Current, Under Voltage Protection
- Optional Built-in Speakers



Specifications

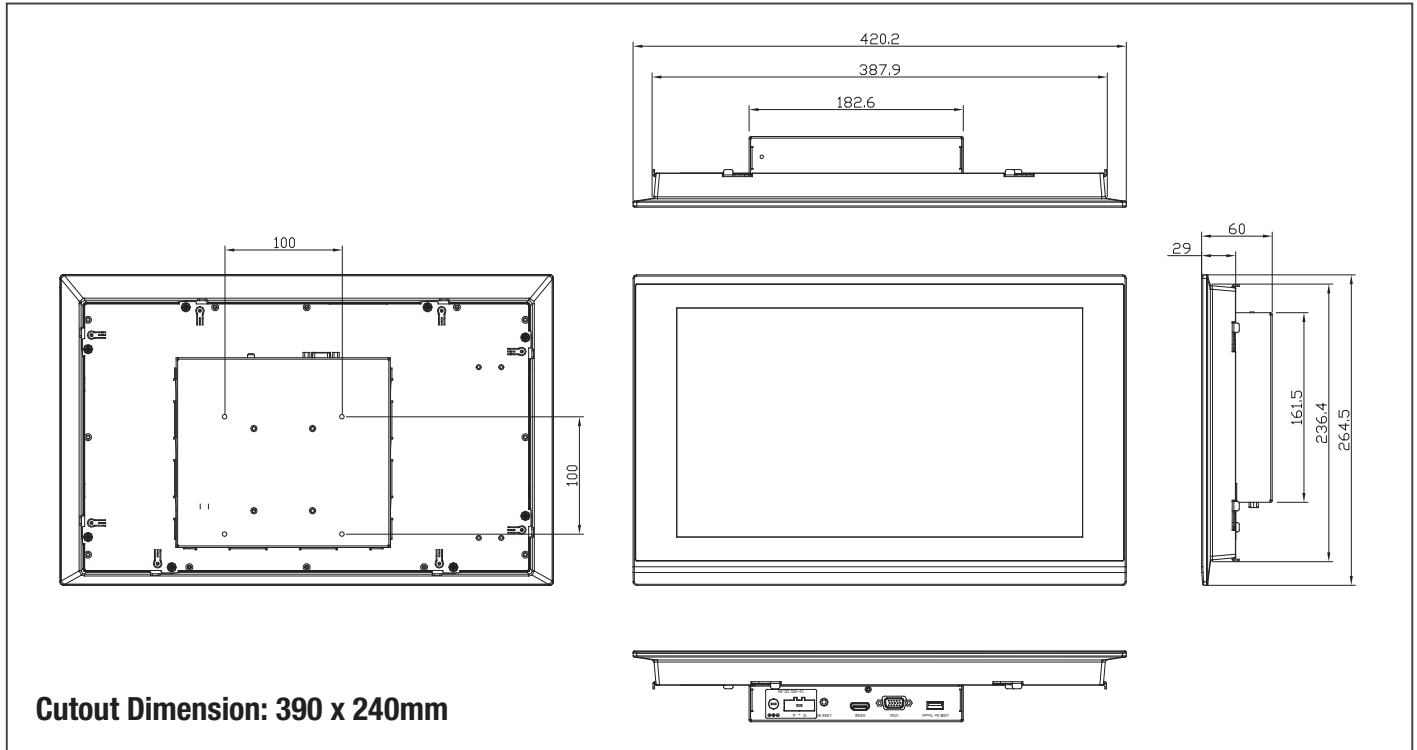
System	
Input Signal	VGA/HDMI
On Screen Display Control	5 keys OSD keypad (Up, Down, Menu, Auto, Power)
I/O Port	DB-15 VGA x 1 HDMI x 1 USB x 1 (For Enable T/S Function) Line in x 1 (For optional internal Speaker) Power Input x 1(Terminal Block 3pin)
Os Support	Windows® 7 32/64-bit, Windows® 8 32/64-bit, Windows® 10 64-bit, Linux Ubuntu 16.04
Mechanical	
Construction	IP65 aluminum front bezel & SGCC chassis
Mounting	Panel Mount / VESA 100x100 / Stand
Dimension	16.5" x 10.4" x 2.4" (420.2mm x 264.5mm x 60.2mm)
Carton Dimension	20.9" x 17.5" x 7.9" (530mm x 445mm x 200mm)
Gross Weight	14.1 lbs (6.4 kg)
Net Weight	11.2 lbs (5.1 kg)
Environmental	
Operating Temperature	14°F ~ 131°F (-10°C ~ 55°C) With 0.5m/s Airflow
Storage Temperature	-4°F ~ 140°F (-20°C ~ 60°C)
Storage Humidity	10%~90% @104°F (40°C); non-condensing
Vibration	1 Grms / 5~500Hz/random Operation
Shock	—
EMC	CE/FCC, Class A
Power Supply	
Dc Input	DC 12~30V Power Input with 3 Pin Terminal Block
LCD	
Display Type	15.6" TFT-LCD
Max. Resolution	1366 x 768
Max. Colors	16.7M
Luminance	400 cd/m ²
Viewing Angle	170° (H), 160° (V)
Back Light	LED
Back Light MTBF (Hours)	50,000
Touchscreen	
Type	Projective Capacitive Multi Touch or 5 Wire Resistive Touch Screen (By Model)
Light Transmission	P-CAP (90% ± 3%), 5-wire Resistive (80% ± 3%)
Life Time	—





Dimension

Unit: mm



Ordering Information

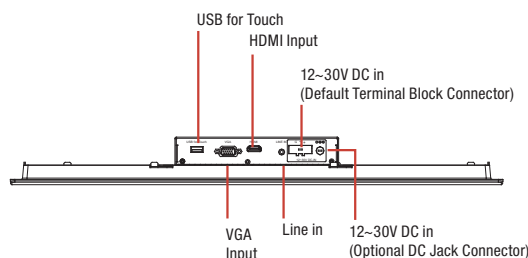
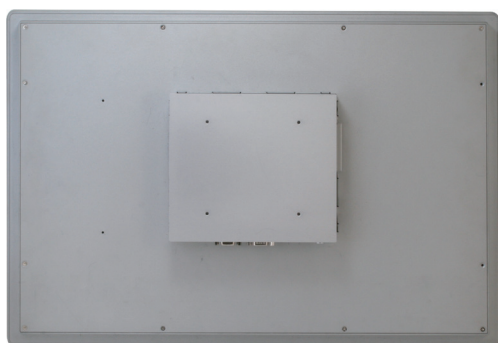
Part Number	Display Type	Max. Resolution	Luminance	View Angle	Backlight MTBF (Hours)	Display	Mounting	Power	Temp.	Touch	Others
OMNI-215MHTT-A1-1011	15.6" TFT-LCD	1366 x 768	400 cd/m ²	160(H), 140(V)	50,000	VGA x 1 HDMI x 1	Panel mount VESA 100	DC 12V~30V	14°F ~ 131°F (-10°C ~ 55°C) (with 0.5 m/s airflow)	Flat 5 Wire Resistive	—
OMNI-215MHTT-A2-1012	15.6" TFT-LCD	1366 x 768	400 cd/m ²	160(H), 140(V)	50,000	VGA x 1 HDMI x 1	Panel mount VESA 100	DC 12V~30V	14°F ~ 131°F (-10°C ~ 55°C) (with 0.5 m/s airflow)	Projected Capacitive	—

Packing List

- VGA Cable x 1
- USB Cable for Touch x 1
- Phoenix Power Connector
- OMNI-215M

Optional Accessories

- **125530040F**
12V 40W FSP040-DHAN3
- **170X000799**
Power Cord (US Type)
- **170X000800**
Power Cord (European Type)
- **170X000803**
Power Cord (Japanese Type)
- **AP-OT9789LA1000**
LCD Monitor Stand 230mm, LA-100



Features

- 21.5" FHD (1920 x 1080) TFT LCD Display
- Provide Projective Capacitive Touch or Resistive Touch Screen
- IP65 Aluminum Front Bezel
- DC 12~30V with Over Voltage/Current, Under Voltage Protection
- Optional Built-in Speakers



Specifications

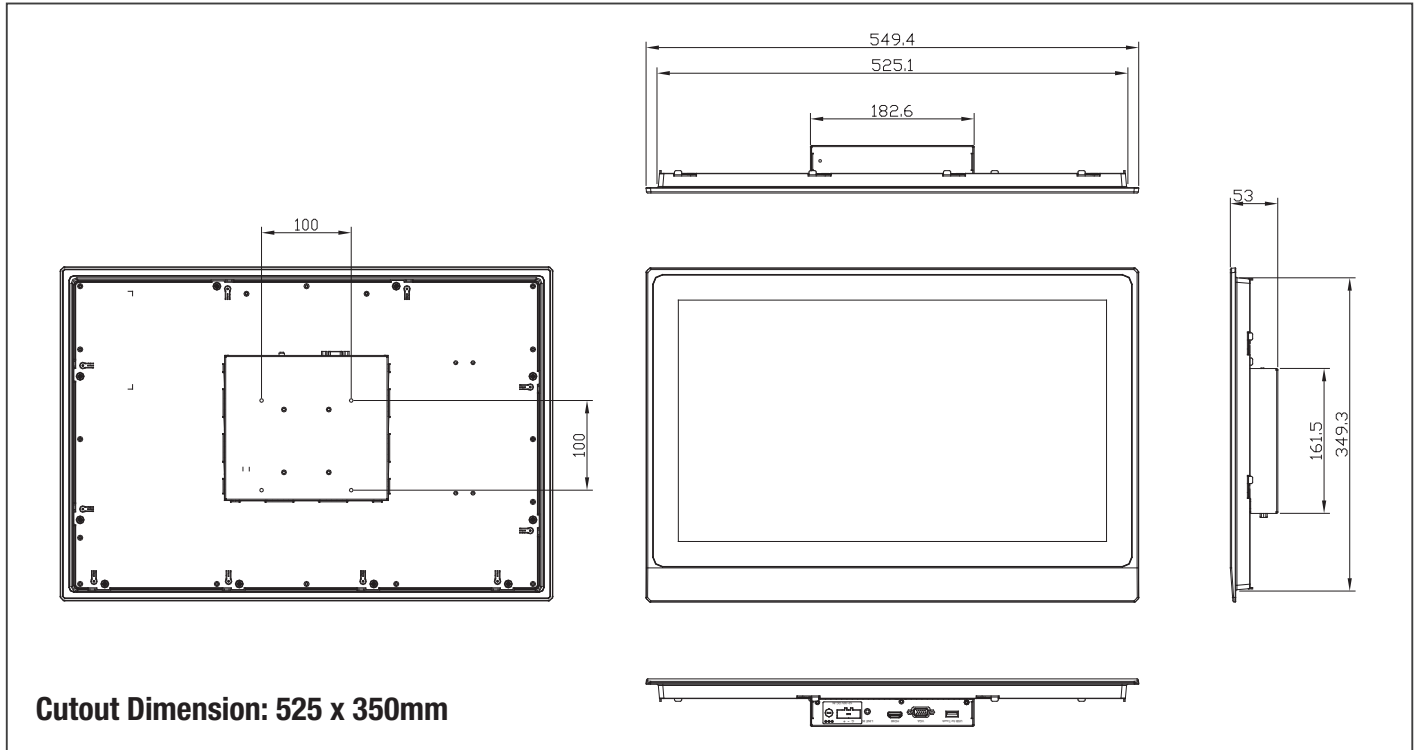
System	
Input Signal	VGA/HDMI
On Screen Display Control	5 keys OSD keypad (Up, Down, Menu, Auto, Power)
I/O Port	DB-15 VGA x 1 HDMI x 1 USB x 1 (For Enable T/S Function) Line in x 1 (For optional internal Speaker) Power Input x 1(Terminal Block 3pin)
Os Support	Windows® 7 32/64-bit, Windows® 8 32/64-bit, Windows® 10 64-bit, Linux Ubuntu 16.04
Mechanical	
Construction	IP65 aluminum front bezel & SGCC chassis
Mounting	Panel Mount / VESA 100 x 100 / Stand
Dimension	21.6" x 14.6" x 2.1" (549mm x 372mm x 53mm)
Carton Dimension	26.4" x 20.7" x 7.9" (670mm x 525mm x 200mm)
Gross Weight	18.5 lbs (8.4 kg)
Net Weight	15.4 lbs (7.0 kg)
Environmental	
Operating Temperature	14°F ~ 131°F (-10°C ~ 55°C) With 0.5m/s Airflow
Storage Temperature	-4°F ~ 140°F (-20°C ~ 60°C)
Storage Humidity	10%~90% @104°F (40°C); non-condensing
Vibration	1 Grms / 5~500Hz/random Operation
Shock	—
EMC	CE/FCC, Class A
Power Supply	
Dc Input	DC 12~30V Power Input with 3 Pin Terminal Block
LCD	
Display Type	21.5" TFT-LCD
Max. Resolution	1920 x 1080
Max. Colors	16.7M
Luminance	250 cd/m²
Viewing Angle	178° (H), 178° (V)
Back Light	LED
Back Light MTBF (Hours)	50,000
Touchscreen	
Type	Projective Capacitive Multi Touch or 5 Wire Resistive Touch Screen (By Model)
Light Transmission	P-CAP (90% ± 3%), 5-wire Resistive (80% ± 3%)
Life Time	—





Dimension

Unit: mm



Ordering Information

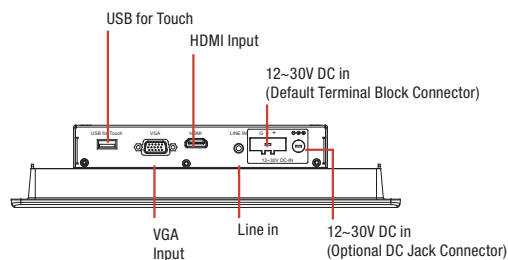
Part Number	Display Type	Max. Resolution	Luminance	View Angle	Backlight MTBF (Hours)	Display	Mounting	Power	Temp.	Touch	Others
OMNI-221MHTT-A1-1011	21.5" TFT-LCD	1920 x 1080	250 cd/m ²	178(H), 178(V)	50,000	VGA x 1 HDMI x 1	Panel mount VESA 100	DC 12V~30V	14°F ~ 131°F (-10°C ~ 55°C) (with 0.5 m/s airflow)	Flat 5 Wire Resistive	—
OMNI-221MHTT-A2-1011	21.5" TFT-LCD	1920 x 1080	250 cd/m ²	178(H), 178(V)	50,000	VGA x 1 HDMI x 1	Panel mount VESA 100	DC 12V~30V	14°F ~ 131°F (-10°C ~ 55°C) (with 0.5 m/s airflow)	Projected Capacitive	—

Packing List

- VGA Cable x 1
- USB Cable for Touch x 1
- Phoenix Power Connector
- OMNI-221M

Optional Accessories

- **125530040F**
12V 40W FSP040-DHAN3
- **170X000799**
Power Cord (US Type)
- **170X000800**
Power Cord (European Type)
- **170X000803**
Power Cord (Japanese Type)
- **AP-OT9789LA1000**
LCD Monitor Stand 230mm, LA-100



Features

- 10.4" SVGA (800 x 600) TFT LCD Display
- Provide Projective Capacitive Touch or Resistive Touch Screen
- IP65 Aluminum Front Bezel
- DC 12~30V with Over Voltage/Current, Under Voltage Protection
- Optional Built-in Speakers



Specifications

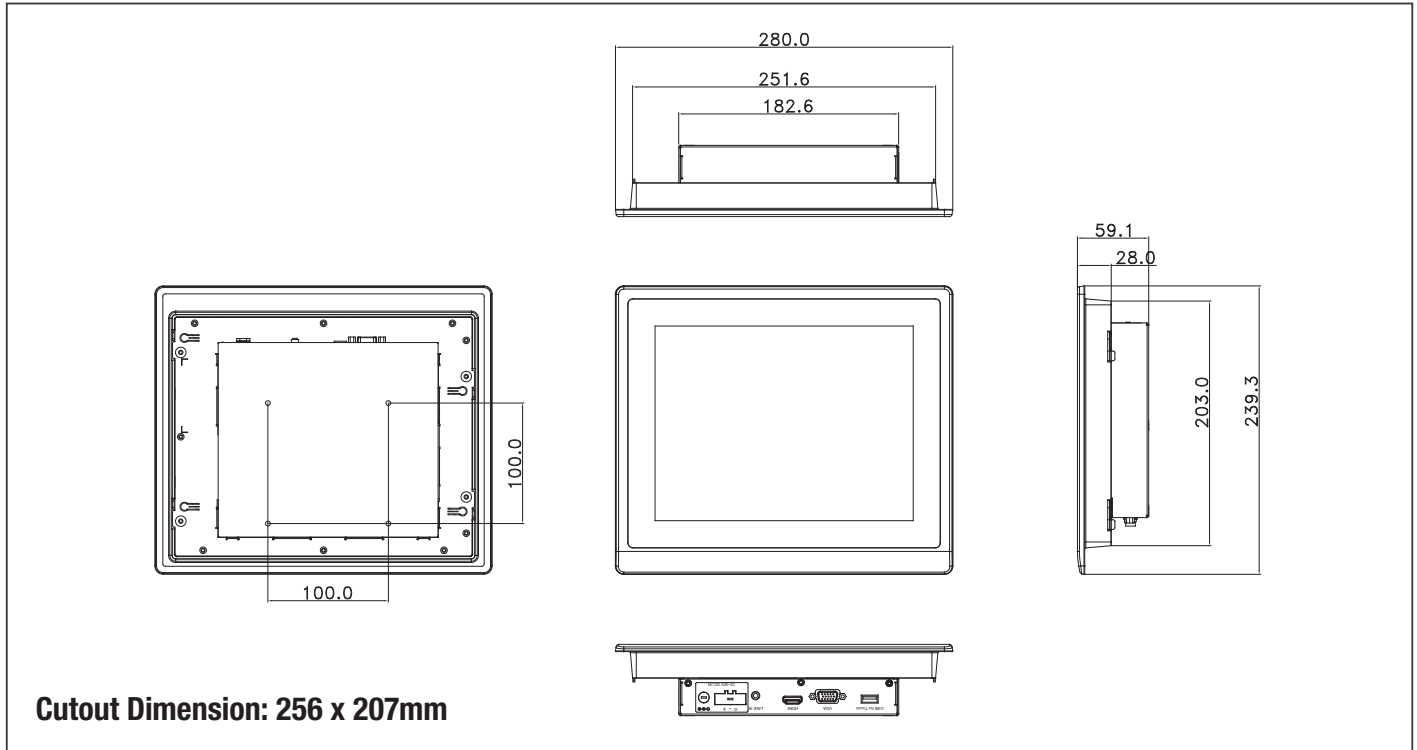
System	
Input Signal	VGA / HDMI
On Screen Display Control	5 keys OSD keypad (Up, Down, Menu, Auto, Power)
I/O Port	DB-15 VGA x 1 HDMI x 1 USB x 1 (For Enable T/S Function) Line in x 1 (For optional internal Speaker) Power Input x 1(Terminal Block 3pin)
Os Support	Windows® 7 32/64-bit, Windows® 8 32/64-bit, Windows® 10 64-bit, Linux Ubuntu 16.04
Mechanical	
Construction	IP65 aluminum front bezel & SGCC chassis
Mounting	Panel Mount / VESA 100 x 100 / Stand
Dimension	11.0" x 9.4" x 2.33" (280mm x 239.3mm x 59.1mm)
Carton Dimension	16.3" x 15.4" x 7.04" (415mm x 391mm x 179mm)
Gross Weight	7.9 lbs (3.6 kg)
Net Weight	1.1 lbs (2.4 kg)
Environmental	
Operating Temperature	14°F ~ 131°F (-10°C ~ 55°C) With 0.5m/s Airflow
Storage Temperature	-4°F ~ 140°F (-20°C ~ 60°C)
Storage Humidity	10%~90% @104°F (40°C); non-condensing
Vibration	1 Grms / 5~500Hz/random Operation
Shock	—
EMC	CE/FCC, Class A
Power Supply	
Dc Input	DC 12~30V Power Input with 3 Pin Terminal Block
LCD	
Display Type	10.4" TFT-LCD
Max. Resolution	800 x 600
Max. Colors	16.2M
Luminance	230 cd/m ²
Viewing Angle	160° (H), 130° (V)
Back Light	LED
Back Light MTBF (Hours)	30,000
Touchscreen	
Type	Projective Capacitive Multi Touch or 5 Wire Resistive Touch Screen (By Model)
Light Transmission	P-CAP (90% ± 3%), 5-wire Resistive (80% ± 3%)
Life Time	—





Dimension

Unit: mm



Ordering Information

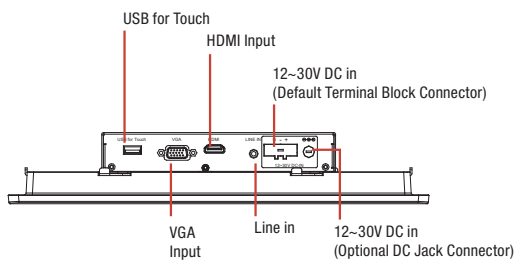
Part Number	Display Type	Max. Resolution	Luminance	View Angle	Backlight MTBF (Hours)	Display	Mounting	Power	Temp.	Touch	Others
OMNI-310MHTT-A1-1010	10.4" TFT-LCD	800 x 600	230 cd/m ²	120(H), 100(V)	50,000	VGA x 1 HDMI x 1	Panel mount VESA 100	DC 12V~30V	14°F ~ 131°F (-10°C ~ 55°C) (with 0.5 m/s airflow)	Flat 5 Wire Resistive	—
OMNI-310MHTT-A2-1010	10.4" TFT-LCD	800 x 600	230 cd/m ²	120(H), 100(V)	50,000	VGA x 1 HDMI x 1	Panel mount VESA 100	DC 12V~30V	14°F ~ 131°F (-10°C ~ 55°C) (with 0.5 m/s airflow)	Projected Capacitive	—

Packing List

- VGA Cable x 1
- USB Cable for Touch x 1
- Phoenix Power Connector
- OMNI-310M

Optional Accessories

- **125530040F**
12V 40W FSP040-DHAN3
- **170X000799**
Power Cord (US Type)
- **170X000800**
Power Cord (European Type)
- **170X000803**
Power Cord (Japanese Type)
- **AP-OT9789LA1000**
LCD Monitor Stand 230mm, LA-100



Features

- 12.1" XGA (1024 x 768) TFT LCD Display
- Provide Projective Capacitive Touch or Resistive Touch Screen
- IP65 Aluminum Front Bezel
- DC 12~30V with Over Voltage/Current, Under Voltage Protection
- Optional Built-in Speakers



Specifications

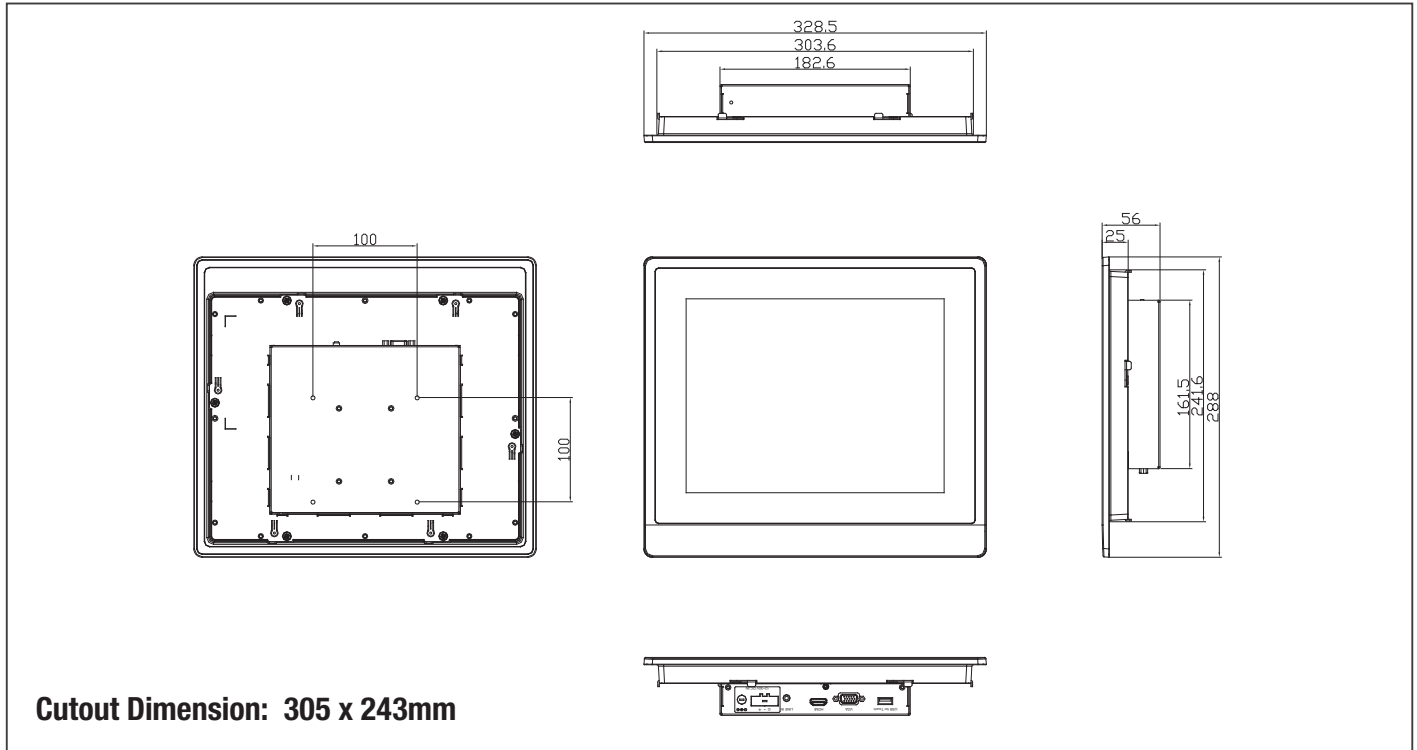
System	
Input Signal	VGA / HDMI
On Screen Display Control	5 keys OSD keypad (Up, Down, Menu, Auto, Power)
I/O Port	DB-15 VGA x 1 HDMI x 1 USB x 1 (For Enable T/S Function) Line in x 1 (For optional internal Speaker) Power Input x 1(Terminal Block 3pin)
Os Support	Windows® 7 32/64-bit, Windows® 8 32/64-bit, Windows® 10 64-bit, Linux Ubuntu 16.04
Mechanical	
Construction	IP65 aluminum front bezel & SGCC chassis
Mounting	Panel Mount / VESA 100 x 100 / Stand
Dimension	12.9" x 11.3" x 2.2" (328.5mm x 288.1mm x 55.9mm)
Carton Dimension	20.9" x 17.5" x 7.9" (530mm x 445mm x 200mm)
Gross Weight	10.4 lbs (4.7 kg)
Net Weight	7.7 lbs (3.5 kg)
Environmental	
Operating Temperature	14°F ~ 131°F (-10°C ~ 55°C) With 0.5m/s Airflow
Storage Temperature	-4°F ~ 140°F (-20°C ~ 60°C)
Storage Humidity	10%~90% @104°F (40°C); non-condensing
Vibration	1 Grms / 5~500Hz/random Operation
Shock	—
EMC	CE/FCC, Class A
Power Supply	
Dc Input	DC 12~30V Power Input with 3 Pin Terminal Block
LCD	
Display Type	12.1" TFT-LCD
Max. Resolution	1024 x 768
Max. Colors	16.2M
Luminance	500 cd/m ²
Viewing Angle	160° (H), 160° (V)
Back Light	LED
Back Light MTBF (Hours)	50,000
Touchscreen	
Type	Projective Capacitive Multi Touch or 5 Wire Resistive Touch Screen (By Model)
Light Transmission	P-CAP (90% ± 3%), 5-wire Resistive (80% ± 3%)
Life Time	—





Dimension

Unit: mm



Ordering Information

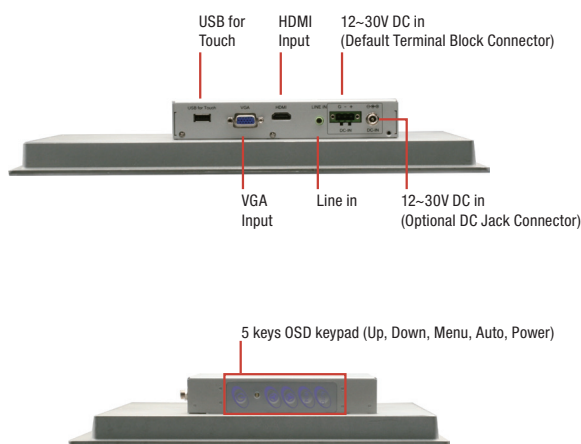
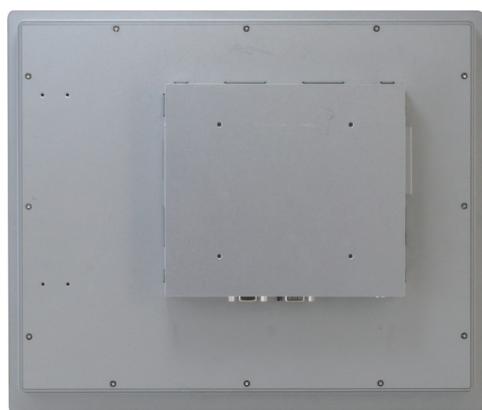
Part Number	Display Type	Max. Resolution	Luminance	View Angle	Backlight MTBF (Hours)	Display	Mounting	Power	Temp.	Touch	Others
OMNI-312MHTT-A1-1010	12.1" TFT-LCD	1024 x 768	500 cd/m ²	160(H), 160(V)	50,000	VGA x 1 HDMI x 1	Panel mount VESA 100	DC 12V~30V	14°F ~ 131°F (-10°C ~ 55°C) (with 0.5 m/s airflow)	Flat 5 Wire Resistive	—
OMNI-312MHTT-A2-1010	12.1" TFT-LCD	1024 x 768	500 cd/m ²	160(H), 160(V)	50,000	VGA x 1 HDMI x 1	Panel mount VESA 100	DC 12V~30V	14°F ~ 131°F (-10°C ~ 55°C) (with 0.5 m/s airflow)	Projected Capacitive	—

Packing List

- VGA Cable x 1
- USB Cable for Touch x 1
- Phoenix Power Connector
- OMNI-312M

Optional Accessories

- **125530040F**
12V 40W FSP040-DHAN3
- **170X000799**
Power Cord (US Type)
- **170X000800**
Power Cord (European Type)
- **170X000803**
Power Cord (Japanese Type)
- **AP-0T9789LA1000**
LCD Monitor Stand 230mm, LA-100



Features

- 15" XGA (1024 x 768) TFT LCD Display
- Provide Projective Capacitive Touch or Resistive Touch Screen
- IP65 Aluminum Front Bezel
- DC 12~30V with Over Voltage/Current, Under Voltage Protection
- Optional Built-in Speakers



Specifications

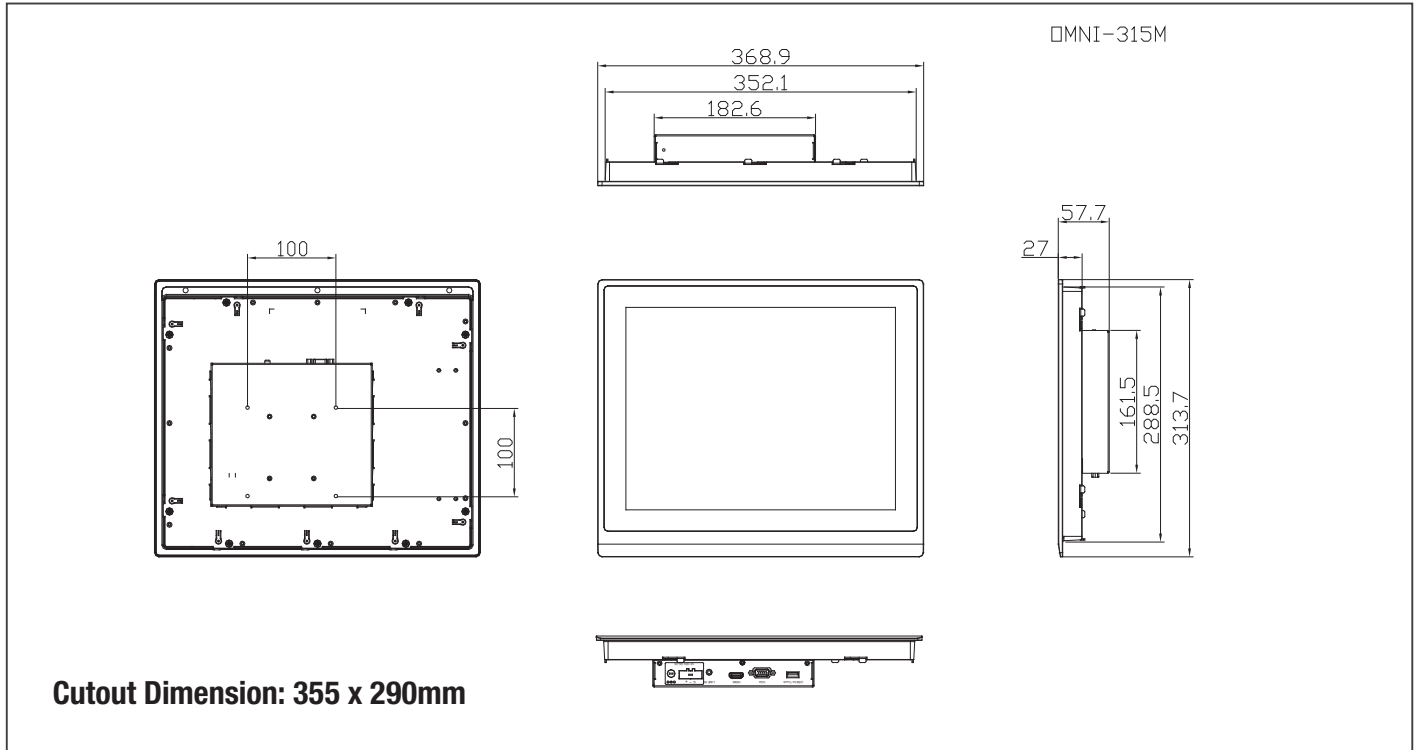
System	
Input Signal	VGA / HDMI
On Screen Display Control	5 keys OSD keypad (Up, Down, Menu, Auto, Power)
I/O Port	DB-15 VGA x 1 HDMI x 1 USB x 1 (For Enable T/S Function) Line in x 1 (For optional internal Speaker) Power Input x 1(Terminal Block 3pin)
Os Support	Windows® 7 32/64-bit, Windows® 8 32/64-bit, Windows® 10 64-bit, Linux Ubuntu 16.04
Mechanical	
Construction	IP65 aluminum front bezel & SGCC chassis
Mounting	Panel Mount / VESA 100 x 100 / Stand
Dimension	14.5" x 12.4" x 2.3" (369mm x 314mm x 58mm)
Carton Dimension	20.1" x 18.1" x 9.8" (510mm x 460mm x 250mm)
Gross Weight	14 lbs (6.35 kg)
Net Weight	11.2 lbs (5.1 kg)
Environmental	
Operating Temperature	14°F ~ 131°F (-10°C ~ 55°C) With 0.5m/s Airflow
Storage Temperature	-4°F ~ 140°F (-20°C ~ 60°C)
Storage Humidity	10%~90% @104°F (40°C); non-condensing
Vibration	1 Grms / 5~500Hz/random Operation
Shock	—
EMC	CE/FCC, Class A
Power Supply	
Dc Input	DC 12~30V Power Input with 3 Pin Terminal Block
LCD	
Display Type	15" TFT-LCD
Max. Resolution	1024 x 768
Max. Colors	16.2M (8bit/color)
Luminance	300 cd/m ²
Viewing Angle	176° (H), 176° (V)
Back Light	LED
Back Light MTBF (Hours)	70,000
Touchscreen	
Type	Projective Capacitive Multi Touch or 5 Wire Resistive Touch Screen (By Model)
Light Transmission	P-CAP (90% ± 3%), 5-wire Resistive (80% ± 3%)
Life Time	—





Dimension

Unit: mm



Ordering Information

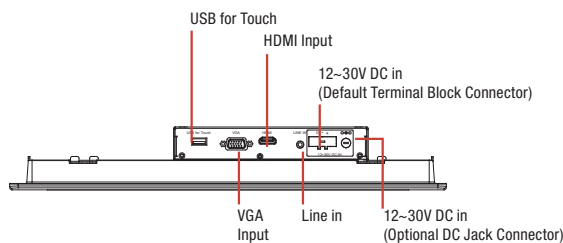
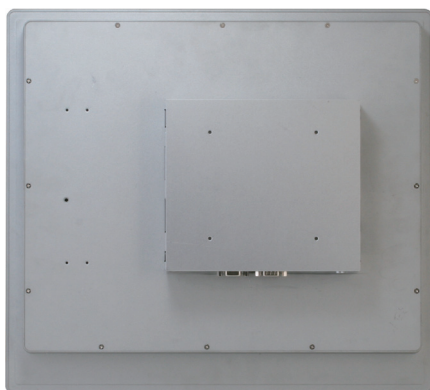
Part Number	Display Type	Max. Resolution	Luminance	View Angle	Backlight MTBF (Hours)	Display	Mounting	Power	Temp.	Touch	Others
OMNI-315MHTT-A1-1011	15" TFT-LCD	1024 x 768	300 cd/m ²	176° (H), 176° (V)	70,000	VGA x 1 HDMI x 1	Panel mount VESA 100	DC 12V~30V	14°F ~ 131°F (-10°C ~ 55°C) (with 0.5 m/s airflow)	Flat 5 Wire Resistive	—
OMNI-315MHTT-A2-1011	15" TFT-LCD	1024 x 768	300 cd/m ²	176° (H), 176° (V)	70,000	VGA x 1 HDMI x 1	Panel mount VESA 100	DC 12V~30V	14°F ~ 131°F (-10°C ~ 55°C) (with 0.5 m/s airflow)	Projected Capacitive	—

Packing List

- VGA Cable x 1
- USB Cable for Touch x 1
- Phoenix Power Connector
- OMNI-315M

Optional Accessories

- **125530040F**
12V 40W FSP040-DHAN3
- **170X000799**
Power Cord (US Type)
- **170X000800**
Power Cord (European Type)
- **170X000803**
Power Cord (Japanese Type)
- **AP-OT9789LA1000**
LCD Monitor Stand 230mm, LA-100



Features

- 17" SXGA (1280 x 1024) TFT LCD Display
- Provide Projective Capacitive Touch or Resistive Touch Screen
- IP65 Aluminum Front Bezel
- DC 12~30V with Over Voltage/Current, Under Voltage Protection
- Optional Built-in Speakers



Specifications

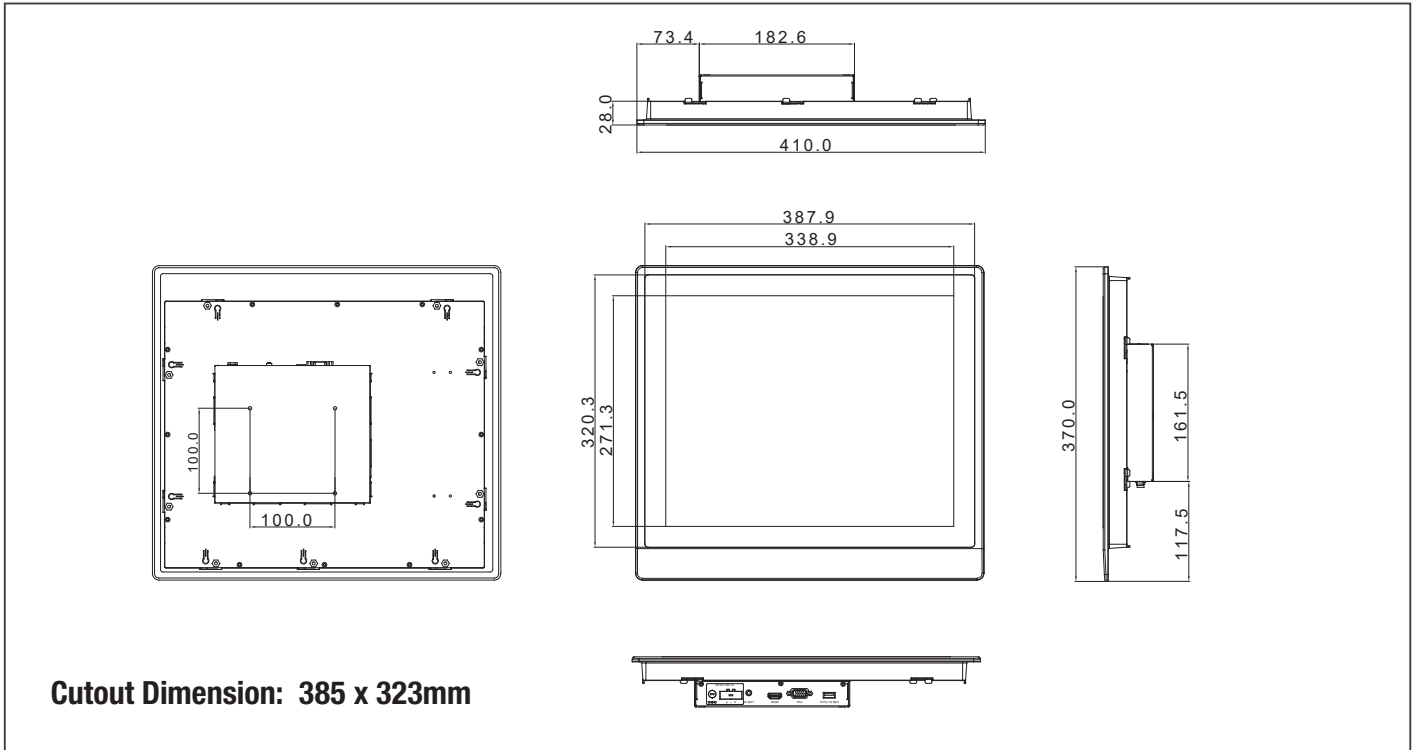
System	
Input Signal	VGA / HDMI
On Screen Display Control	5 keys OSD keypad (Up, Down, Menu, Auto, Power)
I/O Port	DB-15 VGA x 1 HDMI x 1 USB x 1 (For Enable T/S Function) Line in x 1 (For optional internal Speaker) Power Input x 1(Terminal Block 3pin)
Os Support	Windows® 7 32/64-bit, Windows® 8 32/64-bit, Windows® 10 64-bit, Linux Ubuntu 16.04
Mechanical	
Construction	IP65 aluminum front bezel & SGCC chassis
Mounting	Panel Mount / VESA 100 x 100 / Stand
Dimension	16.1" x 14.6" x 2.3" (410mm x 370mm x 59.1mm)
Carton Dimension	20.6" x 19.3" x 10.3" (522mm x 490mm x 262mm)
Gross Weight	14.8 lbs (6.7 kg)
Net Weight	11.7 lbs (5.3 kg)
Environmental	
Operating Temperature	14°F ~ 131°F (-10°C ~ 55°C) With 0.5m/s Airflow
Storage Temperature	-4°F ~ 140°F (-20°C ~ 60°C)
Storage Humidity	10%~90% @104°F (40°C); non-condensing
Vibration	1 Grms / 5~500Hz/random Operation
Shock	—
EMC	CE/FCC, Class A
Power Supply	
Dc Input	DC 12~30V Power Input with 3 Pin Terminal Block
LCD	
Display Type	17" TFT-LCD
Max. Resolution	1280 x 1024
Max. Colors	16.7M
Luminance	350 cd/m ²
Viewing Angle	160° (H), 140° (V)
Back Light	LED
Back Light MTBF (Hours)	50,000
Touchscreen	
Type	Projective Capacitive Multi Touch or 5 Wire Resistive Touch Screen (By Model)
Light Transmission	P-CAP (90% ± 3%), 5-wire Resistive (80% ± 3%)
Life Time	—





Dimension

Unit: mm



Ordering Information

Part Number	Display Type	Max. Resolution	Luminance	View Angle	Backlight MTBF (Hours)	Display	Mounting	Power	Temp.	Touch	Others
OMNI-317MHTT-A1-1011	17" TFT-LCD	1280 x 1024	350 cd/m ²	160°(H), 140°(V)	50,000	VGA x 1 HDMI x 1	Panel mount VESA 100	DC 12V~30V	14°F ~ 131°F (-10°C ~ 55°C) (with 0.5 m/s airflow)	Flat 5 Wire Resistive	—
OMNI-317MHTT-A2-1010	17" TFT-LCD	1280 x 1024	350 cd/m ²	160°(H), 140°(V)	50,000	VGA x 1 HDMI x 1	Panel mount VESA 100	DC 12V~30V	14°F ~ 131°F (-10°C ~ 55°C) (with 0.5 m/s airflow)	Projected Capacitive	—

Packing List

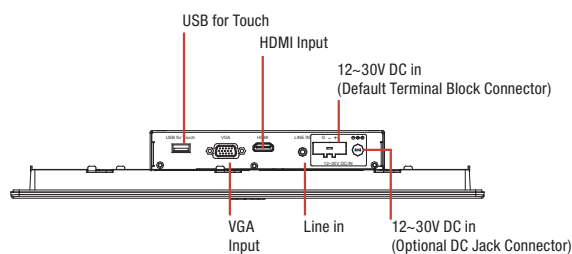
- VGA Cable x 1
- USB Cable for Touch x 1
- Phoenix Power Connector
- OMNI-317M

Optional Accessories

- **125530040F**
12V 40W FSP040-DHAN3
- **170X000799**
Power Cord (US Type)
- **170X000800**
Power Cord (European Type)
- **170X000803**
Power Cord (Japanese Type)
- **AP-OT9789LA1000**
LCD Monitor Stand 230mm, LA-100

OMNI-319M

19" Touch Display Monitor, DC 12~30V



Features

- 19" SXGA (1280 x 1024) TFT LCD Display
- Provide Projective Capacitive Touch or Resistive Touch Screen
- IP65 Aluminum Front Bezel
- DC 12~30V with Over Voltage/Current, Under Voltage Protection
- Optional Built-in Speakers



Specifications

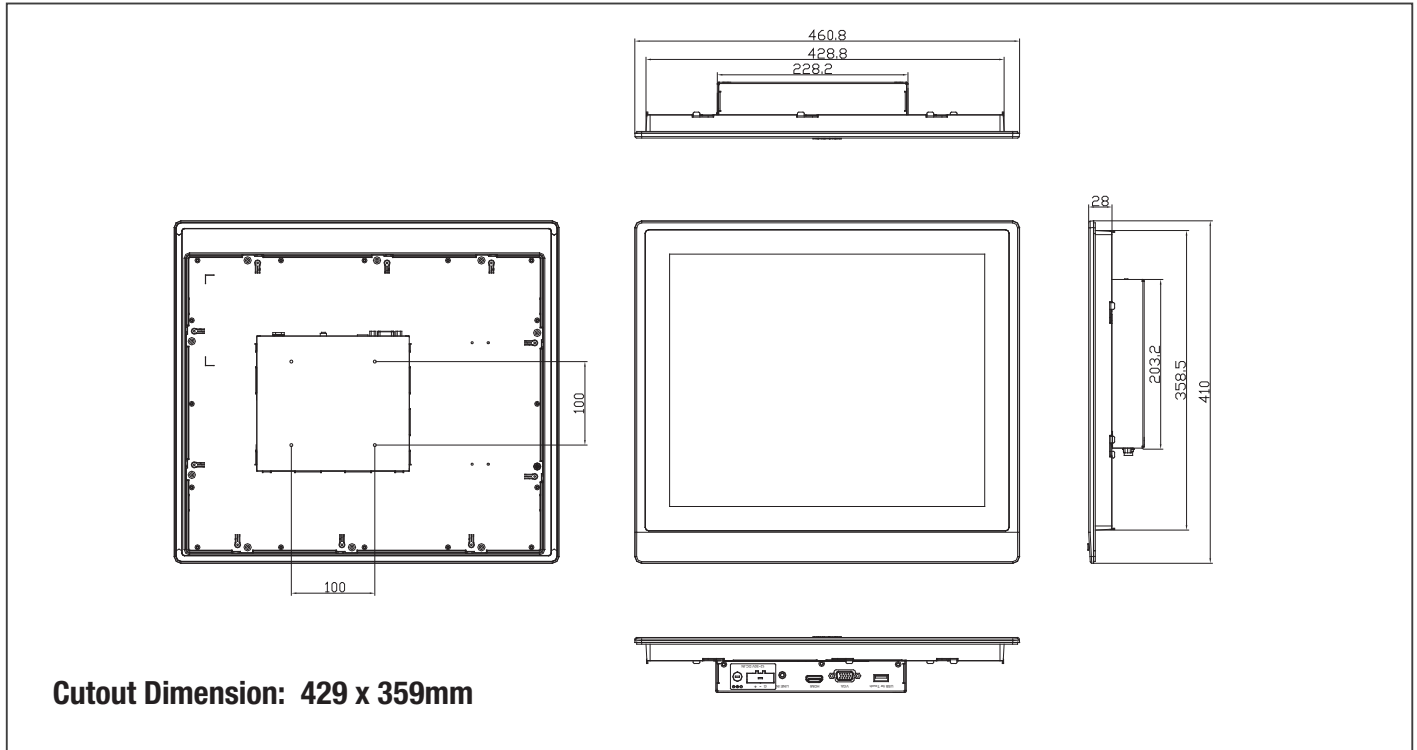
System	
Input Signal	VGA / HDMI
On Screen Display Control	5 keys OSD keypad (Up, Down, Menu, Auto, Power)
I/O Port	DB-15 VGA x 1 HDMI x 1 USB x 1 (For Enable T/S Function) Line in x 1 (For optional internal Speaker) Power Input x 1(Terminal Block 3pin)
Os Support	Windows® 7 32/64-bit, Windows® 8 32/64-bit, Windows® 10 64-bit, Linux Ubuntu 16.04
Mechanical	
Construction	IP65 aluminum front bezel & SGCC chassis
Mounting	Panel Mount / VESA 100 x 100 / Stand
Dimension	18.1" x 16.1" x 2.3" (460.8mm x 410mm x 59.1mm)
Carton Dimension	26.0" x 19.5" x 8.1 (661mm x 496mm x 206mm)
Gross Weight	18.1 lbs (8.2 kg)
Net Weight	15.2 lbs (6.9 kg)
Environmental	
Operating Temperature	14°F ~ 131°F (-10°C ~ 55°C) With 0.5m/s Airflow
Storage Temperature	-4°F ~ 140°F (-20°C ~ 60°C)
Storage Humidity	10%~90% @104°F (40°C); non-condensing
Vibration	1 Grms / 5~500Hz/random Operation
Shock	—
EMC	CE/FCC, Class A
Power Supply	
Dc Input	DC 12~30V Power Input with 3 Pin Terminal Block
LCD	
Display Type	19" TFT-LCD
Max. Resolution	1280 x 1024
Max. Colors	16.7M
Luminance	350 cd/m ²
Viewing Angle	170° (H), 160° (V)
Back Light	LED
Back Light MTBF (Hours)	50,000
Touchscreen	
Type	Projective Capacitive Multi Touch or 5 Wire Resistive Touch Screen (By Model)
Light Transmission	P-CAP (90% ± 3%), 5-wire Resistive (80% ± 3%)
Life Time	—





Dimension

Unit: mm



Ordering Information

Part Number	Display Type	Max. Resolution	Luminance	View Angle	Backlight MTBF (Hours)	Display	Mounting	Power	Temp.	Touch	Others
OMNI-319MHTT-A1-1011	19" TFT-LCD	1280 x 1024	350 cd/m ²	170(H), 160(V)	50,000	VGA x 1 HDMI x 1	Panel mount VESA 100	DC 12V~30V	14°F ~ 131°F (-10°C ~ 55°C) (with 0.5 m/s airflow)	Flat 5 Wire Resistive	—
OMNI-319MHTT-A2-1010	19" TFT-LCD	1280 x 1024	350 cd/m ²	170(H), 160(V)	50,000	VGA x 1 HDMI x 1	Panel mount VESA 100	DC 12V~30V	14°F ~ 131°F (-10°C ~ 55°C) (with 0.5 m/s airflow)	Projected Capacitive	—

Packing List

- VGA Cable x 1
- USB Cable for Touch x 1
- Phoenix Power Connector
- OMNI-319M

Optional Accessories

- **125530040F**
12V 40W FSP040-DHAN3
- **170X000799**
Power Cord (US Type)
- **170X000800**
Power Cord (European Type)
- **170X000803**
Power Cord (Japanese Type)
- **AP-OT9789LA1000**
LCD Monitor Stand 230mm, LA-100

08



ES France - Mobilité & Systèmes Embarqués
127 rue de Buzenval BP 26 - 92380 Garches



Tél. 01 47 95 99 80
Fax. 01 47 01 16 22



e-mail : mse@es-france.com
Site Web : www.es-france.com

08

AI Panel PC Solutions



ES France - Mobilité & Systèmes Embarqués
127 rue de Buzenval BP 26 - 92380 Garches



Tél. 01 47 95 99 80
Fax. 01 47 01 16 22



e-mail : mse@es-france.com
Site Web : www.es-france.com



15.6" Full HD 1920x1080 AI Panel PC with NVIDIA® Jetson Orin Nano™



Features

- 15.6" FHD 1920x1080
- PCAP Touch
- NVIDIA® Jetson Orin Nano™
- 4GB LPDDR5
- M.2 E-Key x 1, M.2 B-Key x 1, M.2 M-Key x 1
- DB-9 x 1 for CANBus
- GbE LAN x 2
- DC 12~24V



Specifications

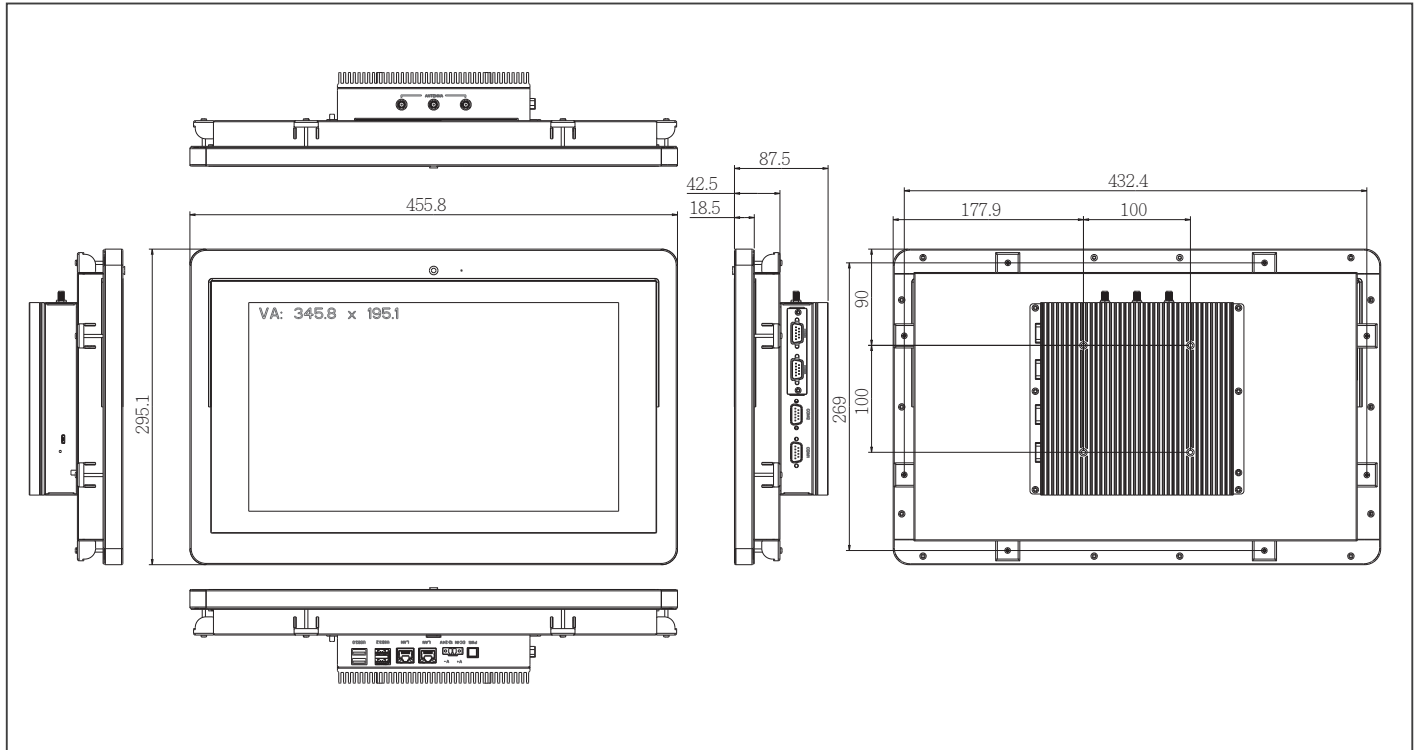
System	
Processor	NVIDIA® Jetson Orin Nano™ 6-core Arm® Cortex®-A78AE v8.2 64-bit CPU
System Memory	LPDDR5 4GB
LCD/CRT controller	N/A
Ethernet	GbE LAN x2
I/O Port	USB 3.2 Gen 2 (Type-A) x 2 USB 2.0 (Type-A) x 2 Micro USB x 1 for OS Flash Power ON/OFF switch x 1 Antenna Hole x 2 Camera x 1
Storage Disk Drive	M.2 2280 M-Key x 1 for Storage (Default: 128GB)
Expansion Slot	DB-9 x 1 for CANbus (Internal connector) DB-9 x 1 for RS-232/422/485 (Internal connector) DB-15 x 1 for 13-bit DIO (Internal connector) M.2 2230 E-Key x 1 (Wi-Fi/Bluetooth) M.2 3042/3052 B-Key x 1 (4G/5G)
OS support	Linux (NVIDIA Jetpack™ 5.0 or above)
Mechanical	
Construction	SECC
Mounting	VESA / Panel Mount
Dimension	TBD
Carton Dimension	TBD
Gross Weight	TBD
Environmental	
Operating Temperature	14°F~131°F (-10°C ~ 55°C) with 0.5 m/s airflow
Storage Temperature	-40°F~176°F(-15°C~65°C)
Storage Humidity	5 ~ 95% @ 40°C, non-condensing
Vibration	1Grms / 5~ 500Hz / operation
Shock	15 G peak acceleration (11 msec. duration)
EMC	CE/FCC Class A
Power Supply	
DC Input	DC 12~24V
LCD	
Display Type	15.6" TFT-LCD, LED
Max Resolution	1920 (H) x 1080 (V)
Max. Colors	16.2M
Luminance	450 cd/m²
Viewing Angle	178° (H) ; 178° (V)
Back Light	LED
Back Light MTBF (Hours)	50,000
Touchscreen	
Type	P-CAP
Light Transmission	>= 85%





Dimension

Unit: mm



Ordering Information

- TBD

Optional Accessories

- TBD

Packing List

- TBD



Always Agile, Always Ahead.

MKT-2202503

AAEON Technology Inc.

6F., No. 28, Baogao Rd., Xindian Dist., New Taipei City 231029, Taiwan R.O.C.
Tel: +886-2-8919-1234 Fax: +886-2-8919-1056 E-mail: sales@aaeon.com.tw

LITERATURE ORDERING

Contact your local office for literature requests.

USA

USA

California Office

324 W. Blueridge Ave, Orange, CA 92865
Toll Free: +1-877-TO-AAEON (1-877-862-2366)
TEL: +1-714-996-1800
FAX: +1-714-996-1811
E-mail: sales@aaeon.com
Tech Support: tech@aaeon.com

New Jersey Office

11 Crown Plaza, Hazlet, NJ 07730-2441
TEL: +1-732-203-9300
FAX: +1-732-203-9311
E-mail: sales@aaeon.com
Tech Support: tech@aaeon.com

EUR

Netherlands

AAEON EUROPE

Beatrix de Rijkweg 8, 5657 EG Eindhoven
TEL: +31(0)499-745200
FAX: +31(0)499-462010
E-mail: sales@aaeon.eu

Germany

AAEON Technology GmbH

Monzastrasse 4e, 63225 Langen
TEL: +49(0)61033 74 79 00
FAX: +49(0)61033 74 79 49
E-mail: sales@aaeon.eu

France

AAEON France Office

Gare de Lyon, 37/39 Avenue Ledru-Rollin,
CS 11237, 75012 Paris Cedex 12
TEL: +33 (0) 156 95 16 40
E-mail: sales@aaeon.eu

Italy

AAEON Italy Office

Viale Masini 12/14, 40126 Bologna
TEL: +39 051 0923582
E-mail: sales@aaeon.eu

ASIA

China

AAEON Technology (Su Zhou) Inc.

Room 12, 2F, Building B, No.5 Xing Han Street,
Suzhou Industrial Park, Jiang Su Province
TEL: +86-512-6762-5700
FAX: +86-512-6761-7337
E-mail: sales@aaeon.com.cn

Shanghai Branch Office

20F, Unit D, GEM Building, No.487 Tianlin Road,
Xuhui District, Shanghai
TEL: +86-21-3367-5511
FAX: +86-21-3367-4238
E-mail: sales@aaeon.com.cn

Beijing Branch Office

Room 710, Tower D, Jiahua Building, No.9,
Shangdi Third Street, Haidian District, Beijing
TEL: +86-10-8278-0904
FAX: +86-10-8278-0214
E-mail: sales@aaeon.com.cn

Wuhan Branch Office

Room 05, 4 / F, Building 3, Phase I, Modern International
Design City, Optics Valley Avenue, East Lake New
Technology Development Zone, Wuhan
TEL: +86-027-87003780
E-mail: sales@aaeon.com.cn

China

Chengdu Branch Office

Room 1105, 11th Floor, Huafu International,
No. 528, Section 4, Shuanghua Road,
Shuangliu District, Chengdu
TEL: +86-028-85120523
E-mail: sales@aaeon.com.cn

Shenzhen Branch Office

518, 5th floor, Guoxin Investment Building,
Gaixin South Seventh Road,
Nanshan District, Shenzhen
TEL: +86-755-8304-7277
FAX: +86-755-8304-7272
E-mail: sales@aaeon.com.cn

Hangzhou Branch Office

A411 Haichuang Building, No. 1338 Wenyi
West Road, Yuhang District, Hangzhou
TEL: +86-0571-8609-7652
E-mail: sales@aaeon.com.cn

Singapore

AAEON Technology Singapore PTE LTD.

57 Genting Lane, #07-00, Singapore 349564
TEL: +65-6749-8749
FAX: +65-6746-1595
E-mail: sales@aaeon.com.sg



ES France - Mobilité & Systèmes Embarqués
127 rue de Buzenval BP 26 - 92380 Garches



Tél. 01 47 95 99 80
Fax. 01 47 01 16 22



e-mail : mse@es-france.com
Site Web : www.es-france.com